



The perfect replacement for mains voltage halogen spots

MASTER LED Lamps

Delivering a warm, halogen/incandescent-like accent beam, MASTER LED lamp is an ideal retrofit solution for spot and general lighting applications in the hospitality industry. It is particularly suited to public areas such as receptions, lobbies, corridors, stairwells and washrooms, where the light is on all the time. MASTER LED delivers huge energy savings and minimizes maintenance cost without any compromise on brightness, enabling hospitality owners to achieve a fast return on their investment. These LED lamps are compatible with most fixtures and designed as a retrofit replacement alternative for halogen lamps or incandescent lamps.

Benefits

- Lower maintenance cost
- Up to 80% energy saving compared with halogen or incandescent lamps
- Elegant outline design

Features

- Warm white light
- Functional lighting
- Energy saving
- Longer lifetime compared with incandescent or halogen lamps
- Retrofit and compatible with existing fixtures with E27/GU10 holder for easy installation
- Free of mercury and hazardous materials

Application

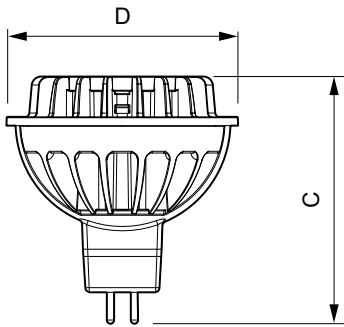
- Hotels, restaurants, bars, cafés
- Lobbies, corridors, stairwells, washrooms, reception areas

MASTER LED Lamps

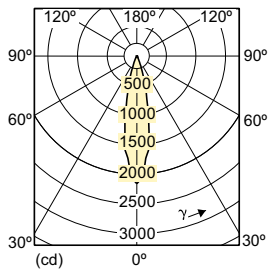
Versions



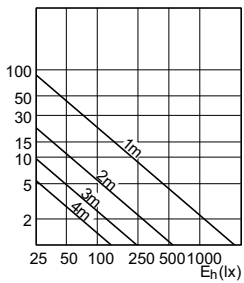
Dimensional drawing



Product	D	C
MASTER LED 7-50W 2700K MR16 24D Dim	54 mm	50 mm



Accent Diagrams



MASTER LED Lamps

Beam Diagrams

