



High quality and robust performance

PrimaVision Compact for CDM

High-quality, compact and lightweight HID electronic gear for optimal and reliable performance of 20, 35, 50 and 70 W CDM lamps

Benefits

- Optimal lamp performance thanks to minimal lamp power tolerance
- CDM lamp life increased by up to 30%
- Eliminates all visible lamp flicker

Features

- Minimal lamp power spread
- Low gear energy losses
- Lamp end-of-life detection
- High Tambient and Tcase temperatures
- Long lifetime of 40,000 hours

Application

- Accent and decorative lighting for shops, public spaces, lobbies and offices
- Suitable for indoor use only

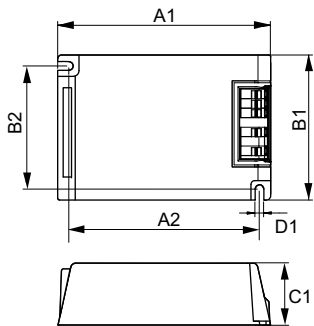
PrimaVision Compact for CDM

Versions



HID-PV C 35 & 70 /S

Dimensional drawing



Product

HID-PV C 70 /S CDM 220-240V 50/60Hz NG

HID-PV C 35 /S CDM 220-240V 50/60Hz NG

Operating and Electrical

| | |
|-----------------|--------------|
| Input Frequency | 50 to 60 Hz |
| Input Voltage | 220 to 240 V |

General Information

| | |
|-----------------|--------------|
| Number Of Lamps | 1 piece/unit |
| Lamp Type | CDM |

Mechanical and Housing

| | |
|---------|----|
| Housing | /S |
|---------|----|

General Information

| Order Code | Full Product Name | Number Of Products On MCB (16A Type B) (Nom) |
|--------------|--|--|
| 913700652766 | HID-PV C 35 /S CDM 220-240V 50/60Hz NG | 24 |

| Order Code | Full Product Name | Number Of Products On MCB (16A Type B) (Nom) |
|--------------|--|--|
| 913700652966 | HID-PV C 70 /S CDM 220-240V 50/60Hz NG | 20 |

System characteristics

| Order Code | Full Product Name | Rated Ballast-Lamp Power |
|--------------|--|--------------------------|
| 913700652766 | HID-PV C 35 /S CDM 220-240V 50/60Hz NG | 35 W |

| Order Code | Full Product Name | Rated Ballast-Lamp Power |
|--------------|--|--------------------------|
| 913700652966 | HID-PV C 70 /S CDM 220-240V 50/60Hz NG | 70 W |

PrimaVision Compact for CDM

