



# Economy drivers – reliable and energy-efficient products for outdoor lighting

## PrimaVision Economy for CPO

Highly reliable electronic drivers for CPO lamps; the drivers are designed for outdoor use and consume less energy than conventional alternatives.

### Benefits

- When used together with the CPO lamp, the driver creates the most efficient white-light system available in the industry in its power range
- Up to 15% energy saving thanks to high driver efficiency (92%) and better wattage control at overvoltage (compared with magnetic ballasts)
- Unlike in many magnetic systems, where different elements fail at times, these drivers are so reliable that they do not require any attention whatsoever

### Features

- Long lifetime of 60,000 hours, with minimum 90% survival at  $T_c = 80\text{ }^\circ\text{C}$
- Surge protection of 4 kV/2 kA
- Protection against humidity and vibration
- Improved efficiency compared with magnetic ballasts

### Application

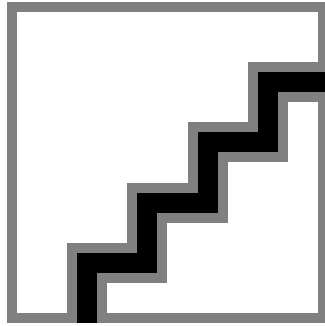
- Residential lighting
- City beautification
- Road/highway lighting

# PrimaVision Economy for CPO

## Versions

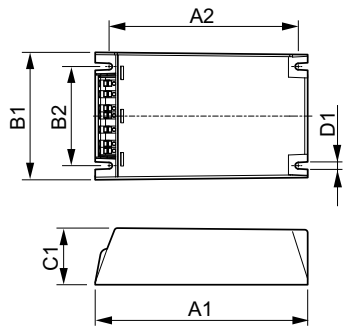


HID-PVE 140 CPO



HID-PVE 90 CPO

## Dimensional drawing



### Product

CertaVision CPO140

CertaVision CPO90



# PrimaVision Economy for CPO

## Controls and Dimming

Regulating Level -

## Operating and Electrical

Input Frequency 50 to 60 Hz

Input Voltage 208-240-277 V

## General Information

Number Of Products On MCB (16A Type B) (Nom) 5

Number Of Lamps 1 piece/unit

Lamp Type CPO

## Mechanical and Housing

Housing Q

## System characteristics

Order Code	Full Product Name	Lamp Power On CPO	Rated Ballast-Lamp Power
913700760070	CertaVision CPO140	140 W	140 W

Order Code	Full Product Name	Lamp Power On CPO	Rated Ballast-Lamp Power
913700760170	CertaVision CPO90	90 W	90 W

