



Product Description

PrimaVision Xtreme for SON

Highly reliable electronic drivers for SON lamps designed for saving energy via better light efficiency compared to magnetic drivers and for saving on maintenance costs thanks to a lifetime of up to 80000 hours and the integrated Lightning protection.

Benefits

- Up to 15% energy saving due to the high driver efficiency (92%) and better wattage control at overvoltage (when compared to magnetic ballasts)
- Minimizes maintenance cost due to the Xtreme lifetime of 80.000 hours and the integrated Lightning (lighting?) Protection
- Better light quality as the PrimaVision Xtreme gears enable perfect output uniformity across the lighting network and solve the flickering effect (created by magnetic ballasts)

Features

- Xtreme long lifetime of 80.000 hours with minimum 90% survival at a case temperature of 80 °C
- Xtreme lightning protection (10 kV / 5 kA)
- Xtreme protection against humidity and vibration
- Better lighting efficiency compared to magnetic ballasts
- Accurate lamp power stabilization of 95-97 % over wide mains voltage range of 180-300 V

Application

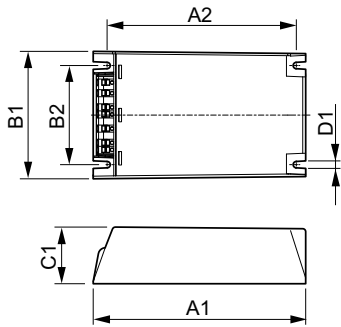
- Residential lighting
- City beautification
- Road and highway lighting

PrimaVision Xtreme for SON

Versions



Dimensional drawing



Product

PV Xt Q 100W SON

PV Xt Q 70W SON

PV Xt Q 150W SON

Controls and Dimming

Regulating Level

-

Operating and Electrical

Input Frequency

50 to 60 Hz

Input Voltage

208-240-277 V

General Information

Number Of Lamps

1 piece/unit

Lamp Type

SON

General Information

Order Code	Full Product Name	Number Of Products On MCB (16A Type B) (Nom)
69878400	PV Xt Q 70W SON	11
69880700	PV Xt Q 100W SON	5

Order Code	Full Product Name	Number Of Products On MCB (16A Type B) (Nom)
69882100	PV Xt Q 150W SON	5

Mechanical and Housing

Order Code	Full Product Name	Housing
69878400	PV Xt Q 70W SON	Q
69880700	PV Xt Q 100W SON	Q

Order Code	Full Product Name	Housing
69882100	PV Xt Q 150W SON	-

System characteristics

PrimaVision Xtreme for SON

Order Code	Full Product Name	Lamp Power On SON	Rated Ballast-Lamp Power
69878400	PV Xt Q 70W SON	70 W	70 W
69880700	PV Xt Q 100W SON	98 W	100 W

Order Code	Full Product Name	Lamp Power On SON	Rated Ballast-Lamp Power
69882100	PV Xt Q 150W SON	147 W	150 W

