



Xtreme drivers for the highest reliability

PrimaVision Xtreme for SON

Highly reliable electronic drivers for SON lamps designed for saving energy via better light efficiency compared to magnetic drivers and for saving on maintenance costs thanks to a lifetime of up to 80.000 hours and the integrated lightning protection.

Benefits

- Up to 15% energy saving due to the high driver efficiency (92%) and better wattage control at overvoltage (when compared to magnetic ballasts)
- Minimizes maintenance cost due to the Xtreme lifetime of 80.000 hours and the integrated lightning protection
- Better light quality as the PrimaVision Xtreme gears enable perfect output uniformity across the lighting network and solve the flickering effect (created by magnetic ballasts)

Features

- Xtreme long lifetime of 80.000 hours with minimum 90% survival at a case temperature of 80 °C
- Xtreme lightning protection (10 kV)
- Xtreme protection against humidity and vibration
- Better lighting efficiency compared to magnetic ballasts
- Accurate lamp power stabilization of 95-97 % over wide mains voltage range of 180-300 V

Application

- Residential lighting
- City beautification
- Road and highway lighting

PrimaVision Xtreme for SON

Versions



HID-PV Xt 45 & 60 CPO Q

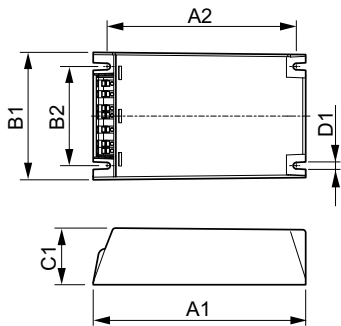


HID-PV Xt 90 CPO Q



HID-PV Xt 140 CPO Q

Dimensional drawing



Product

PV Xt Q 150W SON
 PV Xt Q 70W SON
 PV Xt Q 100W SON

Controls and Dimming

Regulating Level -

Operating and Electrical

Input Frequency 50 to 60 Hz
 Input Voltage 208-240-277 V

General Information

Number Of Lamps 1 piece/unit
 Lamp Type SON

General Information

Order Code	Full Product Name	Number Of Products On MCB (16A Type B) (Nom)
913700690566	PV Xt Q 70W SON	11
913700690666	PV Xt Q 100W SON	5

Order Code	Full Product Name	Number Of Products On MCB (16A Type B) (Nom)
913700690766	PV Xt Q 150W SON	5

Mechanical and Housing

Order Code	Full Product Name	Housing
913700690566	PV Xt Q 70W SON	Q
913700690666	PV Xt Q 100W SON	Q

Order Code	Full Product Name	Housing
913700690766	PV Xt Q 150W SON	-

PrimaVision Xtreme for SON

System characteristics

Order Code	Full Product Name	Lamp Power On SON	Rated Ballast-Lamp Power	Order Code	Full Product Name	Lamp Power On SON	Rated Ballast-Lamp Power
913700690566	PV Xt Q 70W SON	70 W	70 W	913700690766	PV Xt Q 150W SON	147 W	150 W
913700690666	PV Xt Q 100W SON	98 W	100 W				

