

# Product Description

## EB-Certalume for TL5 lamps

Affordable, reliable, high frequency electronic ballast for TL5 fluorescent lamps, ideal alternative for electromagnetic (EM) ballasts

### Benefits

- Energy efficient, CELMA A3, saving 25% energy compared to electromagnetic “C-type” ballasts
- The EB-C TL5 range has a robust design and meets safety, EMC and Immunity tests including safety approbation via an external test-house covering IEC/EN 61347.
- Ideal alternative for electromagnetic ballast, no ignitor needed

### Features

- Energy efficient CELMA A3
- Complying to CCC certificate including safety acc IEC 61347
- 25.000 hour lifetime at Tc max. and 3.000 on/off switches on one lamp.
- Rapid, flicker-free or warm lamp start (< 2.0 s)
- High power factor 0.95 with THD <25%
- EMC compliant to EN 55015 2006 + A1 2007
- 45 degree connector for easy connection with push button release.

### Application

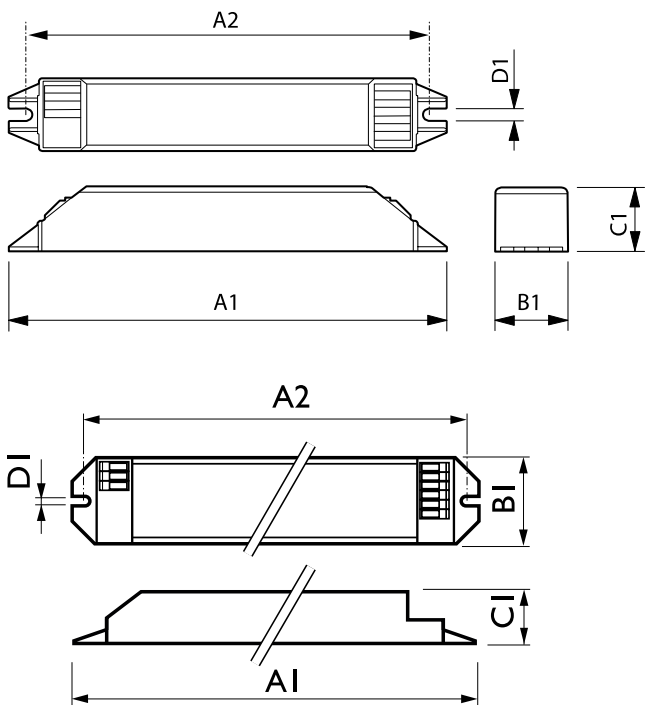
- Designed for applications where lamps burn for a long period of time and switching cycle (on/off) is infrequent. Typical areas of application include:
- Professional indoor applications (e.g. offices and hotels)
- Department stores, shops, supermarkets and public area's
- Indoor lighting boxes
- Homes

# EB-Certalume for TL5 lamps

## Versions



## Dimensional drawing



Product	A1	A2	B1	C1	D1
EB-Ci 1-2 14-28W 220-240V 50/60 Hz	210 mm	200 mm	30 mm	26 mm	4.3 mm

Product
EB-C 128 TL5 220-240V 50/60Hz
EB-C 114 TL5 220-240V 50/60Hz

Approval and Application	
Energy Efficiency Index	A2
General Information	
Lamp Type	TL5

## Operating and Electrical

Order Code	Full Product Name	Input Frequency	Input Voltage
913713043280	EB-Ci 1-2 14-28W 220-240V 50/60 Hz	50 or 60 Hz	220-240 V
913713196214	EB-C 114 TL5 220-240V 50/60Hz	50 to 60 Hz	220 to 240 V

Order Code	Full Product Name	Input Frequency	Input Voltage
913713196414	EB-C 128 TL5 220-240V 50/60Hz	50 to 60 Hz	220 to 240 V

## General Information

## EB-Certalume for TL5 lamps

Order Code	Full Product Name	Number Of	
		Products On MCB (16A Type B) (Max)	Number Of Lamps
913713043280	EB-Ci 1-2 14-28W 220-240V 50/60 Hz	30	1-3 piece/unit
913713196214	EB-C 114 TL5 220-240V 50/60Hz	-	1 piece/unit

Order Code	Full Product Name	Number Of	
		Products On MCB (16A Type B) (Max)	Number Of Lamps
913713196414	EB-C 128 TL5 220-240V 50/60Hz	-	1 piece/unit

### Mechanical and Housing

Order Code	Full Product Name	Housing
913713043280	EB-Ci 1-2 14-28W 220-240V 50/60 Hz	L210x30x26mm
913713196214	EB-C 114 TL5 220-240V 50/60Hz	L 275x20x21

Order Code	Full Product Name	Housing
913713196414	EB-C 128 TL5 220-240V 50/60Hz	L 275x20x21

### System characteristics

Order Code	Full Product Name	Lamp Power On	Rated Ballast-
		TL5	Lamp Power
913713043280	EB-Ci 1-2 14-28W 220-240V 50/60 Hz	14.5-27.8 W	-
913713196214	EB-C 114 TL5 220-240V 50/60Hz	14.8 W	14 W

Order Code	Full Product Name	Lamp Power On	Rated Ballast-
		TL5	Lamp Power
913713196414	EB-C 128 TL5 220-240V 50/60Hz	28.3 W	28 W

