

An energy-efficient solution

EB-Certalume for TL-D lamps

EB-Certalume is the most cost-effective, slim and affordable ballast for reliable operation of a fluorescent lamp. It is also the ideal entry-level product for electromagnetic system users who want to enjoy the benefits offered by electronic ballasts. The cost-saving and reliable EB-Certalume has energy efficiency class A2, and its robust design meets all relevant international safety and performance standards. EB-Certalume is intended for use with indoor lighting fixtures such as recessed luminaires, which are widely used in office, industrial, hotel, restaurant and other applications.

Benefits

- Automatic restart (after voltage dip or lamp replacement) ensures easy operation and hassle-free re-lamping
- DC emergency operation and EMC-compliant to EN 55015 2006 + A1 2007
- Suitable for luminaires in protection class I and, after testing, class II

Features

- Energy efficiency: CELMA A2
- Compliant with CCC certificate, including safety according to IEC 61347
- Robust design for 20,000 hours lifetime with a failure rate of 0.3% per 1,000 hours at $T_c \text{ max} = 75^\circ\text{C}$
- Reduced lamp preheating for min. 3,000 on/off switches on one lamp without replacement of lamps
- EMC-compliant to EN 55015 2006 + A1 2007

Application

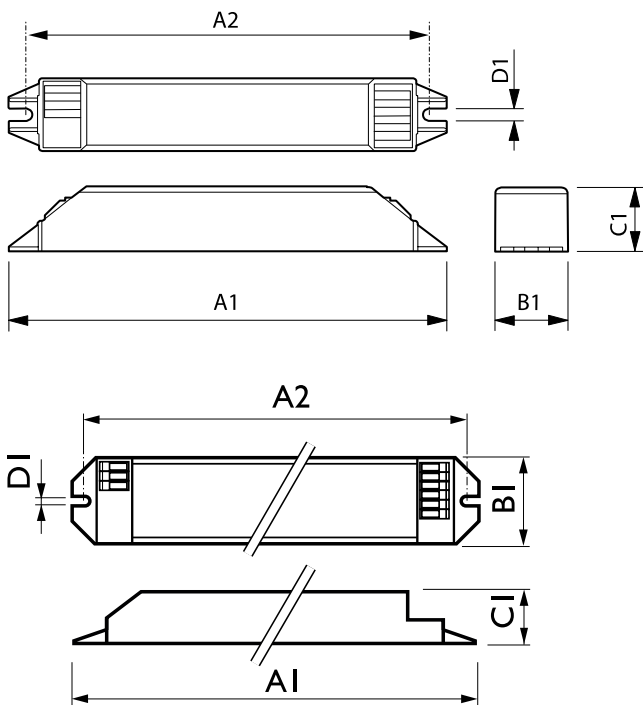
- Ideal for applications with long burning hours and infrequent on/off switching activity
- Professional indoor applications (e.g. offices and hotels), department stores, shops, supermarkets and public areas and indoor lighting boxes and homes

EB-Certalume for TL-D lamps

Versions



Dimensional drawing



Product	A1	A2	B1	C1	D1
EB-Ci 1-2 36W / 1-4 18W 220-240V 50/60Hz	210 mm	200 mm	30 mm	26 mm	4.3 mm

Product	D1	C1	A1	A2	B1
EB-C 118 TL-D 220-240V 50/60Hz	4.2 mm	28.0 mm	150.0 mm	140.0 mm	40.0 mm
EB-C 136 TL-D 220-240V 50/60Hz	4.2 mm	28.0 mm	150.0 mm	140.0 mm	40.0 mm
EB-C 236 TL-D 220-240V 50/60Hz	4.2 mm	30.0 mm	210.0 mm	200.0 mm	40.0 mm

Approval and Application

Energy Efficiency Index A2

General Information

Lamp Type TL-D

Operating and Electrical

Order Code	Full Product Name	Input Frequency	Input Voltage
13353600	EB-Ci 1-2 36W / 1-4 18W 220-240v 50/60Hz	50 or 60 Hz	220-240 V
85877800	EB-C 118 TL-D 220-240V 50/60Hz	50 to 60 Hz	220 to 240 V

Order Code	Full Product Name	Input Frequency	Input Voltage
85878500	EB-C 136 TL-D 220-240V 50/60Hz	50 to 60 Hz	220 to 240 V
85880800	EB-C 236 TL-D 220-240V 50/60Hz	50 to 60 Hz	220 to 240 V

EB-Certalume for TL-D lamps

General Information

Order Code	Full Product Name	Number Of	Number Of	Number Of
		Products On	Products On	
		MCB (16A	MCB (16A	Lamps
		Type B) (Max)	Type B) (Nom)	
13353600	EB-Ci 1-2 36W / 1-4 18W 220-240v 50/60Hz	28	-	1-4 piece/unit
85877800	EB-C 118 TL-D 220-240V 50/60Hz	-	25	1 piece/unit

Order Code	Full Product Name	Number Of	Number Of	Number Of
		Products On	Products On	
		MCB (16A	MCB (16A	Lamps
		Type B) (Max)	Type B) (Nom)	
85878500	EB-C 136 TL-D 220-240V 50/60Hz	-	18	1 piece/unit
85880800	EB-C 236 TL-D 220-240V 50/60Hz	-	28	2 piece/unit

Mechanical and Housing

Order Code	Full Product Name	Housing
13353600	EB-Ci 1-2 36W / 1-4 18W 220-240v 50/60Hz	L210x30x26mm
85877800	EB-C 118 TL-D 220-240V 50/60Hz	L 150x40x28

Order Code	Full Product Name	Housing
85878500	EB-C 136 TL-D 220-240V 50/60Hz	L 150x40x28
85880800	EB-C 236 TL-D 220-240V 50/60Hz	L 210x40x30

System characteristics

Order Code	Full Product Name	Lamp Power On	Rated Ballast-
		TL-D	Lamp Power
13353600	EB-Ci 1-2 36W / 1-4 18W 220-240v 50/60Hz	18.0-31.0 W	-
85877800	EB-C 118 TL-D 220-240V 50/60Hz	16.9 W	18 W

Order Code	Full Product Name	Lamp Power On	Rated Ballast-
		TL-D	Lamp Power
85878500	EB-C 136 TL-D 220-240V 50/60Hz	32.6 W	36 W
85880800	EB-C 236 TL-D 220-240V 50/60Hz	61.6 W	36 W

