

An energy-efficient solution

EB-Certalume for TL-D lamps

Affordable, reliable, high-frequency electronic ballast for TL-D fluorescent lamps, ideal alternative to electromagnetic fluorescent systems. The cost-saving and reliable EB-C has energy efficiency class A2, and its robust design meets all necessary international standards for safety and EMC. The ballast is primarily designed for indoor application. For outdoor application, the luminaire should be minimum Class II and need to be sufficiently protected against water & dust. The installation should also be guard against any lightning surge or any other necessary electrical protection as deemed in such typical installation & application.

Benefits

- Energy-saving solution (CELMA A2)
- Long lifetime of 45,000 hours @ Ta=50 °C
- Conforming to international standards for safety and EMC

Features

- Energy efficient CELMA A2, high power factor 0.97 with THD < 18%
- Safety according to IEC 61347-2-3, and EMC compliant with EN 55015 2006 + A1 2007
- Robust design for 45,000 hours lifetime at Ta 50 °C and avg. 6,000 on/off switches on one lamp
- Quick warm, flicker-free lamp start (< 1.0 s), no ignitor needed
- Wide voltage range for ignition and operation (165-253 V)

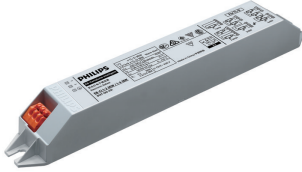
Application

- Ideal for applications with long burning hours and infrequent on/off switching activity
- Professional indoor applications (e.g. offices and hotels), department stores, shops, supermarkets and public areas and indoor lighting boxes and homes

EB-Certalume for TL-D lamps

Versions

EB-Ci 1-2 36W / 1-4 18W
220-240V 50/60Hz



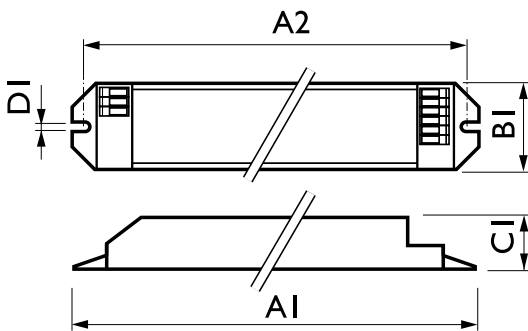
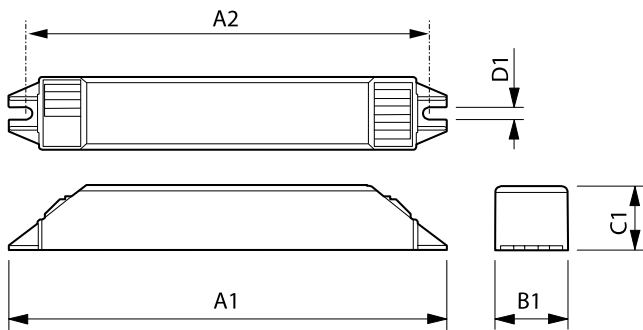
EB-C 118 TLD 220V 50/60Hz BP



EB-C 318 TLD 220V 50/60Hz



Dimensional drawing



Product	A1	A2	B1	C1	D1
EB-Ci 1-2 36W / 1-4 18W 220-240V 50/60Hz	210 mm	200 mm	30 mm	26 mm	4.3 mm

Product	D1	C1	A1	A2	B1
EB-C 118 TL-D 220-240V 50/60Hz	4.2 mm	28.0 mm	150.0 mm	140.0 mm	40.0 mm
EB-C 136 TL-D 220-240V 50/60Hz	4.2 mm	28.0 mm	150.0 mm	140.0 mm	40.0 mm
EB-C 236 TL-D 220-240V 50/60Hz	4.2 mm	30.0 mm	210.0 mm	200.0 mm	40.0 mm

Approval and Application

Energy Efficiency Index A2

General Information

Lamp Type TL-D

EB-Certalume for TL-D lamps

Operating and Electrical

Order Code	Full Product Name	Input Frequency	Input Voltage
913713043180	EB-Ci 1-2 36W / 1-4 18W 220-240V 50/60Hz	50 or 60 Hz	220-240 V
913713199015	EB-C 118 TL-D 220-240V 50/60Hz	50 to 60 Hz	220 to 240 V

Order Code	Full Product Name	Input Frequency	Input Voltage
913713199215	EB-C 136 TL-D 220-240V 50/60Hz	50 to 60 Hz	220 to 240 V
913713199315	EB-C 236 TL-D 220-240V 50/60Hz	50 to 60 Hz	220 to 240 V

General Information

Order Code	Full Product Name	Number Of	Number Of	Number Of
		Products On	Products On	
		MCB (16A	MCB (16A	Lamps
		Type B) (Max)	Type B) (Nom)	
913713043180	EB-Ci 1-2 36W / 1-4 18W 220-240V 50/60Hz	28	-	1-4 piece/unit
913713199015	EB-C 118 TL-D 220-240V 50/60Hz	-	25	1 piece/unit

Order Code	Full Product Name	Number Of	Number Of	Number Of
		Products On	Products On	
		MCB (16A	MCB (16A	Lamps
		Type B) (Max)	Type B) (Nom)	
913713199215	EB-C 136 TL-D 220-240V 50/60Hz	-	18	1 piece/unit
913713199315	EB-C 236 TL-D 220-240V 50/60Hz	-	28	2 piece/unit

Mechanical and Housing

Order Code	Full Product Name	Housing
913713043180	EB-Ci 1-2 36W / 1-4 18W 220-240V 50/60Hz	L210x30x26mm
913713199015	EB-C 118 TL-D 220-240V 50/60Hz	L 150x40x28

Order Code	Full Product Name	Housing
913713199215	EB-C 136 TL-D 220-240V 50/60Hz	L 150x40x28
913713199315	EB-C 236 TL-D 220-240V 50/60Hz	L 210x40x30

System characteristics

Order Code	Full Product Name	Lamp Power On	Rated Ballast-
		TL-D	Lamp Power
913713043180	EB-Ci 1-2 36W / 1-4 18W 220-240V 50/60Hz	18.0-31.0 W	-
913713199015	EB-C 118 TL-D 220-240V 50/60Hz	16.9 W	18 W
913713199215	EB-C 136 TL-D 220-240V 50/60Hz	32.6 W	36 W

Order Code	Full Product Name	Lamp Power On	Rated Ballast-
		TL-D	Lamp Power
913713199315	EB-C 236 TL-D 220-240V 50/60Hz	61.6 W	36 W

