



Large-diameter low-voltage reflector lamps for even more flexibility in accent lighting

Aluline PRO III

Philips ALUline Pro 111 lamps feature a large diameter, low voltage and provide excellent flexibility for comfortable, glare-free accent lighting light. The filament shield even eliminates direct light, producing a precise, smooth beam of very sharp contrast. ALUline Pro 111 lamps are compatible with a dedicated G53 socket by direct wire connection to screw or push-in terminals on the lamp and are suitable for open luminaires thanks to low pressure. UVblock reduces color fading over a 3000 hour rated average life†. Ideal for accent lighting in retail displays, exhibition halls in art galleries, and museums.+Rated average life is the length of operation (in hours) at which point an average of 50% of the lamps will still be operational and 50% will not..

Benefits

- Homogeneous Beam and Comfortable Glare Free Light.
- Highly attractive, contemporary design.
- Multiple Connection Options- The lamp can be connected in three ways.

Aluline PRO III

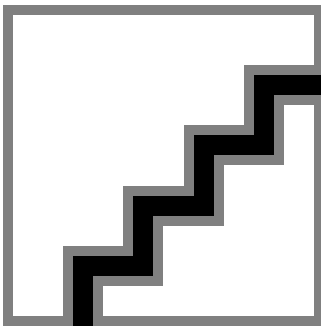
Features

- Large-diameter (111mm) low-voltage halogen reflector lamps with high-purity faceted aluminum reflector.
- GA metal cap shields the filament to reduce direct glare and also eliminates direct light, producing a smooth beam with a very sharp contrast.
- UV block quartz reduces fading of goods on display.
- 3000K Color Temperature.
- 3000 Hour Rated Average Life.
- The lamp can be connected in three ways: to a dedicated G53 socket or by direct wire connection to screw or push-in terminations on the lamp.
- Low Pressure—12V for Open Fixtures Low-pressure halogen burner technology permits the lamp to be safely used in open luminaires.
- Available in 50 and 75 Watts.

Application

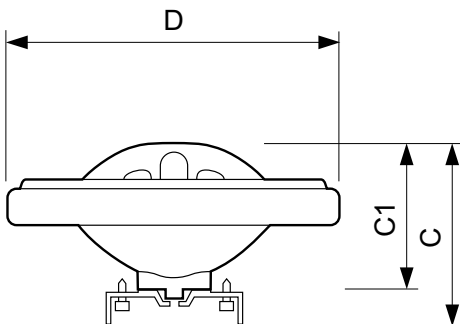
- Ideal for accent lighting in retail displays, exhibition halls in art galleries, and museums.

Versions



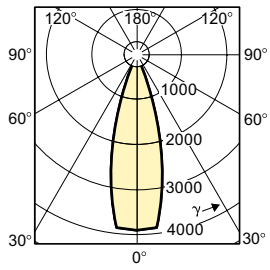
G53, R11

Dimensional drawing

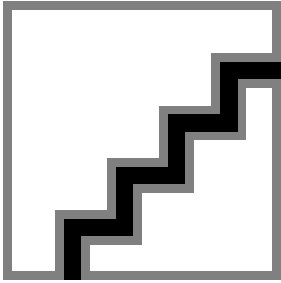


Product	D (max)	C (max)	C1 (max)
Aluline PRO III ALU PRO 50W G53 12V 24D 1CT/6	111 mm	67 mm	51 mm

Aluline PRO III

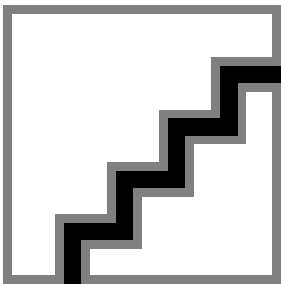


Accent Diagrams



LDAC_HALUACN_50W_24D-Accent diagram

Beam Diagrams



LDBE_HALUACN_50W_24D-Beam diagram

