



# Product Description

## Primaline Halogen Transformers

High-Frequency electronic transformer for operation with 12V halogen lamps, available in 70W, 105W and 150W versions

### Benefits

- Low power losses, resulting in increased energy saving
- Constant light output in the case of under-voltage and a full service life in the case of over-voltage
- ENEC, SELV, CE and EMC-compliant

### Features

- Very compact and lightweight design; fits in small downlight halogen applications
- Three levels of protection: over-voltage, over-temperature and short circuit
- Long lifetime: 50,000 hours
- Dimming possible with Philips-approved Leading and Trailing Edge dimmers
- Possible to connect two lamps for 70 and 105 W, and three lamps for 150 W

### Application

- Indoor residential use including living rooms and decorative and accent lighting
- Professional applications including retail, offices, conference rooms and exhibitions

### Warnings and Safety

- Transformer is not suitable for DC operation

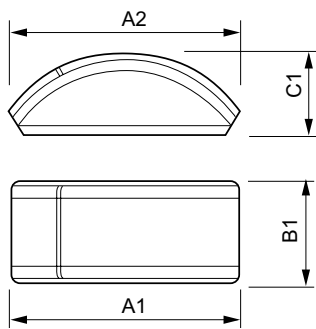
# Primaline Halogen Transformers

## Versions



## Dimensional drawing

A2



Product	C1	A1	B1
Primaline 150 230-240V 50/60Hz	33 mm	145 mm	51 mm

Product	C1	A1	B1
Primaline 70 230-240V 50/60Hz	33 mm	110 mm	45 mm

### Operating and Electrical

Input Frequency	50 to 60 Hz
Input Voltage	230 to 240 V

### General Information

Lamp Type	LV Halogen
-----------	------------

## General Information

Order Code	Full Product Name	Number Of Lamps
91266430	PRIMALINE 70 230-240V 50/60HZ	2 piece/unit

Order Code	Full Product Name	Number Of Lamps
91270130	PRIMALINE 150 230-240V 50/60HZ	3 piece/unit

## System characteristics

## Primaline Halogen Transformers

Order Code	Full Product Name	Rated Ballast-Lamp Power	Order Code	Full Product Name	Rated Ballast-Lamp Power
91266430	PRIMALINE 70 230-240V 50/60HZ	35-70 W	91270130	PRIMALINE 150 230-240V 50/60HZ	70-150 W

