



Primaline - A very compact electronic transformer for 12V halogen lamps

Primaline Halogen Transformers

Philips Primaline is a high-frequency electronic halogen transformer suitable for low-voltage 12 V halogen lamps. It offers ultimate performance and is built with overload and short circuit protection to IEC and ENEC standards. It is available in 70, 105 and 150 W versions and fits in small down light halogen applications.

Benefits

- Low power losses, resulting in increased energy saving
- Constant light output in the case of under-voltage and a full service life in the case of over-voltage
- ENEC, SELV, CE and EMC-compliant

Features

- Very compact and lightweight design; fits in small downlight halogen applications
- Three levels of protection: over-voltage, over-temperature and short circuit
- Long lifetime: 50,000 hours
- Dimming possible with Philips-approved Leading and Trailing Edge dimmers
- Possible to connect two lamps for 70 and 105 W, and three lamps for 150 W

Application

- Indoor residential use including living rooms and decorative and accent lighting
- Professional applications including retail, offices, conference rooms and exhibitions

Primaline Halogen Transformers

Warnings and Safety

- Transformer is not suitable for DC operation

Versions



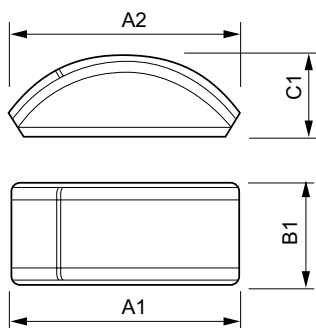
Primaline 70 230-240V 50/60Hz



Primaline 150 230-240V 50/60Hz

Dimensional drawing

Λ 2



Product	C1	A1	B1
Primaline 150 230-240V 50/60Hz	33 mm	145 mm	51 mm

Product	C1	A1	B1
Primaline 105 230-240V 50/60Hz	33 mm	110 mm	45 mm
Primaline 70 230-240V 50/60Hz	33 mm	110 mm	45 mm

Operating and Electrical

Input Frequency	50 to 60 Hz
Input Voltage	230 to 240 V

General Information

Lamp Type	LV Halogen
-----------	------------

General Information

Primaline Halogen Transformers

Order Code	Full Product Name	Number Of Lamps
913700627591	Primaline 70 230-240V 50/60Hz	2 piece/unit
913700627691	Primaline 105 230-240V 50/60Hz	2 piece/unit

Order Code	Full Product Name	Number Of Lamps
913700627791	Primaline 150 230-240V 50/60Hz	3 piece/unit

System characteristics

Order Code	Full Product Name	Rated Ballast-Lamp Power
913700627591	Primaline 70 230-240V 50/60Hz	35-70 W
913700627691	Primaline 105 230-240V 50/60Hz	50-105 W

Order Code	Full Product Name	Rated Ballast-Lamp Power
913700627791	Primaline 150 230-240V 50/60Hz	70-150 W

