



# Spot of crisp white light from modern-looking aluminum reflector

## Aluline 111

Low-voltage halogen burner in decorative aluminum reflector equipped with antiglare cap. Ideal solution for high-end modern luminaires, putting your objects in the spotlight. Aluminum coating prevents heat in the backlight.

### Benefits

- Bright, sparkling halogen light to put your objects in the spotlight
- Fully dimmable, from 0 to 100%, to meet different brightness requirements
- Low replacement costs due to long lifetime

### Features

- Superior quality of light with excellent color rendering (Ra=100)
- Low-pressure technology with UV-block glass allows use in luminaires without front glass
- Aluminum coating
- Lifetime: 3000 hours
- Instant start

### Application

- Spot accent lighting to create the right ambiance in hotels, restaurants and shops

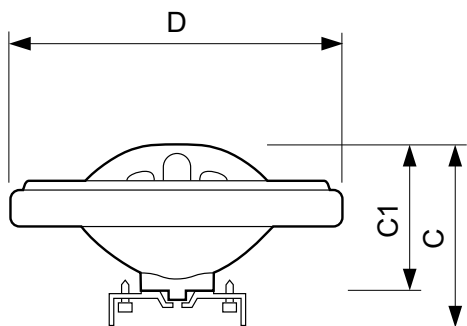
# Aluline 111

## Versions



G53, R111

## Dimensional drawing



Product	D (max)	C (max)	C1 (max)
Alu111 50W 4000h G53 12V 24D 1CT/6	111 mm	67 mm	51 mm
Aluline 111 50W G53 12V 24D 1CT/6	111 mm	67 mm	51 mm

# Aluline 111

## Approval and Application

Energy Consumption kWh/1000 h	53 kWh
Energy Efficiency Label (EEL)	C

## Controls and Dimming

Dimmable	Yes
----------	-----

## Operating and Electrical

Voltage (Nom)	12 V
Power (Rated) (Nom)	50.0 W
Starting Time (Nom)	0.0 s

## General Information

Cap-Base	G53
Operating Position	UNIVERSAL

## Luminaire Design Requirements

Bulb Temperature (Max)	900 °C
------------------------	--------

## Light Technical

Beam Angle (Nom)	24 °
Color Rendering Index (Nom)	100
Rated Beam Angle	24 °

## Mechanical and Housing

Bulb Shape	R111
------------	------

## Operating and Electrical

Order Code	Full Product Name	Lamp Current (Nom)	Warm Up Time To 60% Light (Nom)
924065117101	Aluline 111 50W G53 12V 24D 1CT/6	4.2 A	instant full light
925721417101	Alu111 50W 4000h G53 12V 24D 1CT/6	0.24 A	instant full light s

## General Information

Order Code	Full Product Name	Nominal	Philips	Rated	Switching Cycle
		Lifetime (Nom)	Code	Lifetime (Hours)	
924065117101	Aluline 111 50W G53 12V 24D 1CT/6	3000 h	14635	3000 h	12000X

Order Code	Full Product Name	Nominal	Philips	Rated	Switching Cycle
		Lifetime (Nom)	Code	Lifetime (Hours)	
925721417101	Alu111 50W 4000h G53 12V 24D 1CT/6	4000 h	-	4000 h	-

## Light Technical (1/2)

Order Code	Full Product Name	Correlated Color	Llmf At End Of Nominal	Llmf At End Of Nominal	Luminous Flux (Nom)
		Temperature (Nom)	Lifetime (Min)	Lifetime (Nom)	
924065117101	Aluline 111 50W G53 12V 24D 1CT/6	3000 K	80 %	-	-

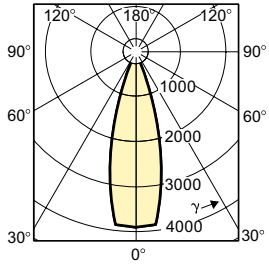
Order Code	Full Product Name	Correlated Color	Llmf At End Of Nominal	Llmf At End Of Nominal	Luminous Flux (Nom)
		Temperature (Nom)	Lifetime (Min)	Lifetime (Nom)	
925721417101	Alu111 50W 4000h G53 12V 24D 1CT/6	2800 K	-	80 %	507 lm

## Light Technical (2/2)

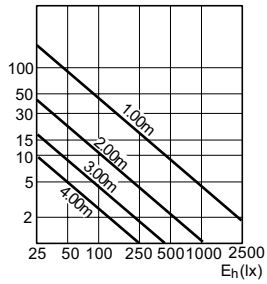
Order Code	Full Product Name	Luminous Flux (Rated) (Nom)	Luminous Intensity (Max)
924065117101	Aluline 111 50W G53 12V 24D 1CT/6	530 lm	4100 cd

Order Code	Full Product Name	Luminous Flux (Rated) (Nom)	Luminous Intensity (Max)
925721417101	Alu111 50W 4000h G53 12V 24D 1CT/6	507 lm	2900 cd

# Aluline 111

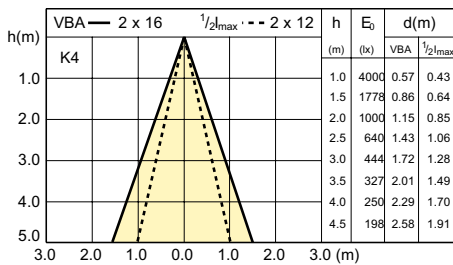


## Accent Diagrams



LDAC\_HALUACN\_50W\_24D-Accent diagram

## Beam Diagrams



LDBE\_HALUACN\_50W\_24D-Beam diagram

