

# For flexibility in luminaire design

## HF-Performer Intelligent for TL5 HE/HO lamps

HF-Performer Intelligent is a slim and lightweight high-frequency electronic ballast which makes it possible to exchange TL5 HE and HO lamps of the same length in order to maximize logistical flexibility in luminaire design and handling. With its smart power functionality based on Philips EII technology, HF-Performer Intelligent is optimized for maximum system efficiency (CELMA EEI A2 BAT) in combination with the TL5 and TL5 Eco lamp.

### Benefits

### Features

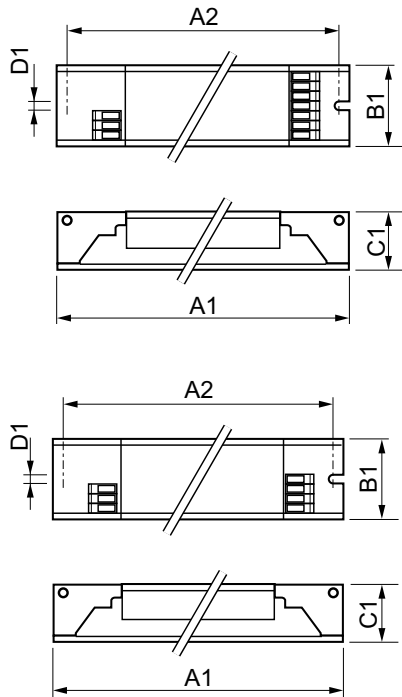
### Application

### Versions



# HF-Performer Intelligent for TL5 HE/HO lamps

## Dimensional drawing



Δ?

Product	D1	C1	A1	A2	B1
HF-Pi 2 28/35/49/54 TL5 EII 220-240V	4.2 mm	22 mm	360 mm	350 mm	30 mm
HF-Pi 2 14/21/24/39 TL5 EII 220-240V	4.2 mm	22 mm	360 mm	350 mm	30 mm

Product
HF-Pi 1 28/35/49/54 TL5 EII 220-240V
HF-Pi 1 14/21/24/39 TL5 EII 220-240V

Product	D1	C1	A1	A2	B1
HF-Pi 3/4 14/24 TL5/PL-L EII 220-240V	4.2 mm	22 mm	360 mm	350 mm	30 mm

### Approval and Application

Energy Efficiency Index A2 BAT

### Operating and Electrical

Input Frequency 50 to 60 Hz

Input Voltage 220 to 240 V

### Emergency Operation

Emergency Ballast Lumen Factor (EBLF) (Nom) 100 %

### Mechanical and Housing

Housing L360x30x22

## General Information

## HF-Performer Intelligent for TL5 HE/HO lamps

Order Code	Full Product Name	Number Of Products On		
		MCB (16A Type B) (Nom)	Number Of Lamps	Lamp Type
91494130	HF-Pi 1 14/21/24/39 TL5 220-240V	18	1 piece/unit	TL5
91496530	HF-Pi 1 28/35/49/54 TL5 220-240V	18	1 piece/unit	TL5
91500930	HF-Pi 2 14/21/24/39 TL5 220-240V	12	2 piece/unit	TL5

Order Code	Full Product Name	Number Of Products On		
		MCB (16A Type B) (Nom)	Number Of Lamps	Lamp Type
91502330	HF-Pi 2 28/35/49/54 TL5 220-240V	12	2 piece/unit	TL5
88775400	HF-Pi 3/4 14/24 TL5/PL-L EII 220-240V	12	3/4 piece/unit	TL5/PL-L

### System characteristics

Order Code	Full Product Name	Lamp Power On TL5	Lamp Power On		Rated Ballast-Lamp Power
			TL5 HE	TL5 HO	Power
91494130	HF-Pi 1 14/21/24/39 TL5 220-240V	-	14.7/21.2 W	24.3/37.5 W	14-39 W
91496530	HF-Pi 1 28/35/49/54 TL5 220-240V	30.9/39.8/52.6/57.8 W	-	-	28-54 W
91500930	HF-Pi 2 14/21/24/39 TL5 220-240V	-	28.6/42.8 W	46.8/71.2 W	14-39 W

Order Code	Full Product Name	Lamp Power On TL5	Lamp Power On		Rated Ballast-Lamp Power
			TL5 HE	TL5 HO	Power
91502330	HF-Pi 2 28/35/49/54 TL5 220-240V	27.5/34.4/45.6/48.4 W	-	-	28-54 W
88775400	HF-Pi 3/4 14/24 TL5/PL-L EII 220-240V	-	57.5/44 W	91.5/71.3 W	14/24 W

