

For flexibility in luminaire design and stock-keeping management

HF-Performer Intelligent for TL5 HE/HO lamps

HF-Performer Intelligent for Master and ECO TL5 HE/HO, TL-D and PL-L lamps HF-Performer Intelligent features automatic recognition of the connected lamp and is independently able to adjust its operation parameters exactly to the respective lamp. This results in a substantial benefit, especially for T5 lamps, as it means TL5 HE and HO lamps of the same length can be interchanged. With a choice of seven ballasts, the customer is able to handle efficiently every possible combination of Master TL5 and Eco, TL-D, and PL-L lamps. The ballast is primarily designed for Indoor application. For outdoor application, the luminaire should be minimum Class II and need to be sufficiently protected against water & dust. The installation should also be guard against any lightning surge or any other necessary electrical protection as deemed in such typical installation & application.

Benefits

- Maximum reliability in system operation, and flexibility for designers, operators and facility managers in terms of stock-keeping management
- Multi-power technology for precise operation of multiple lamp types of various wattages
- Optimized for high maintenance efficiency and reliability: 5-year warranty

HF-Performer Intelligent for TL5 HE/HO lamps

Features

- Highest CELMA Energy Efficiency Index A2 BAT
- Complies with CE, ENEC, EL, VDE-EMC, CCC marks of conformity
- Average nominal service lifetime over 100,000 hours (at Ta 50 °C) with a failure rate $\leq 0.1\%$ per 1,000 hours
- Optimized lamp preheating for a minimum of 50,000 On/Off switch operations without lamp replacement

Application

- Suitable for DC operation and emergency lighting installations; full compliance with requirements for emergency lighting according to EN 61347-2-3-annex J
- Extended lamp life in frequent-switching applications, e.g. where occupancy sensors or motion detectors are used
- For luminaires of protection class I and protection class II used in office buildings, hospitals, supermarkets, department stores, industrial premises and schools

Versions



HF-Pi 114/21/24/39 TL5 EII 220-240V

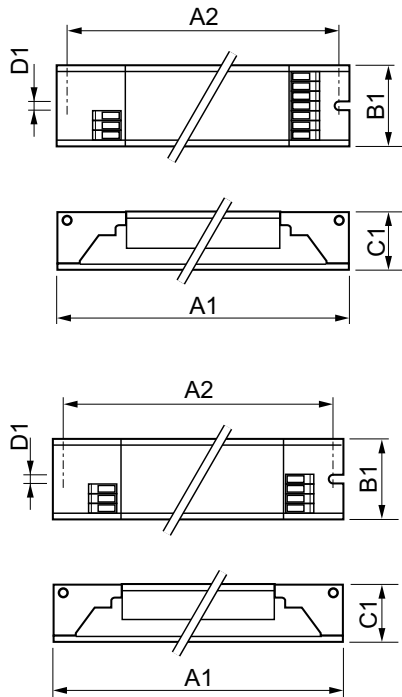
Dimensional drawing

Δ 2

Product	D1	C1	A1	A2	B1
HF-Pi 3/4 14/24 TL5/PL-L EII 220-240V	4.2 mm	22 mm	360 mm	350 mm	30 mm

HF-Performer Intelligent for TL5 HE/HO lamps

Dimensional drawing



Product	D1	C1	A1	A2	B1
HF-Pi 2 28/35/49/80 TL5 EII	4.2 mm	22 mm	425 mm	415 mm	30 mm
HF-Pi 2 14/21/24/39 TL5 EII	4.2 mm	22 mm	360 mm	350 mm	30 mm
220-240V					
HF-Pi 2 28/35/49/54 TL5 EII	4.2 mm	22 mm	360 mm	350 mm	30 mm
220-240V					

Product
HF-Pi 1 28/35/49/80 TL5 EII
HF-Pi 1 14/21/24/39 TL5 EII 220-240V
HF-Pi 1 28/35/49/54 TL5 EII 220-240V

Approval and Application

Energy Efficiency Index A2 BAT

Operating and Electrical

Input Frequency 50 to 60 Hz

Input Voltage 220 to 240 V

Emergency Operation

Emergency Ballast Lumen Factor (EBLF) (Nom) 100 %

General Information

Order Code	Full Product Name	Number Of Products On MCB (16A Type B)		
		(Nom)	Number Of Lamps	Lamp Type
913700624066	HF-Pi 1 14/21/24/39 TL5 EII 220-240V	18	1 piece/unit	TL5
913700624166	HF-Pi 1 28/35/49/54 TL5 EII 220-240V	18	1 piece/unit	TL5
913700624266	HF-Pi 2 14/21/24/39 TL5 EII 220-240V	12	2 piece/unit	TL5

Order Code	Full Product Name	Number Of Products On MCB (16A Type B)		
		(Nom)	Number Of Lamps	Lamp Type
913700624366	HF-Pi 2 28/35/49/54 TL5 EII 220-240V	12	2 piece/unit	TL5
913700652566	HF-Pi 1 28/35/49/80 TL5 EII	12	1 piece/unit	TL5
913700652666	HF-Pi 2 28/35/49/80 TL5 EII	8	2 piece/unit	TL5
913700657666	HF-Pi 3/4 14/24 TL5/PL-L EII 220-240V	12	3/4 piece/unit	TL5/PL-L

Mechanical and Housing

HF-Performer Intelligent for TL5 HE/HO lamps

Order Code	Full Product Name	Housing
913700624066	HF-Pi 1 14/21/24/39 TL5 EII 220-240V	L360x30x22
913700624166	HF-Pi 1 28/35/49/54 TL5 EII 220-240V	L360x30x22
913700624266	HF-Pi 2 14/21/24/39 TL5 EII 220-240V	L360x30x22
913700624366	HF-Pi 2 28/35/49/54 TL5 EII 220-240V	L360x30x22

Order Code	Full Product Name	Housing
913700652566	HF-Pi 1 28/35/49/80 TL5 EII	L360x30x22
913700652666	HF-Pi 2 28/35/49/80 TL5 EII	L 425x30x22
913700657666	HF-Pi 3/4 14/24 TL5/PL-L EII 220-240V	L360x30x22

System characteristics

Order Code	Full Product Name	Lamp Power On TL5	Lamp Power		Rated Ballast-Lamp Power
			On TL5 HE	On TL5 HO	
913700624066	HF-Pi 1 14/21/24/39 TL5 EII 220-240V	-	14.7/21.2 W	24.3/37.5 W	14-39 W
913700624166	HF-Pi 1 28/35/49/54 TL5 EII 220-240V	30.9/39.8/52.6/57.8 W	-	-	28-54 W
913700624266	HF-Pi 2 14/21/24/39 TL5 EII 220-240V	-	28.6/42.8 W	46.8/71.2 W	14-39 W
913700624366	HF-Pi 2 28/35/49/54 TL5 EII 220-240V	27.5/34.4/45.6/48.4 W	-	-	28-54 W

Order Code	Full Product Name	Lamp Power On TL5	Lamp Power		Rated Ballast-Lamp Power
			On TL5 HE	On TL5 HO	
913700652566	HF-Pi 1 28/35/49/80 TL5 EII	30.7/38.7/50.2/84 W	-	-	28/35/49/80 W
913700652666	HF-Pi 2 28/35/49/80 TL5 EII	29/36.2/49.4/83.7 W	-	-	28/35/49/80 W
913700657666	HF-Pi 3/4 14/24 TL5/PL-L EII 220-240V	-	57.5/44 W	91.5/71.3 W	14/24 W

