



HF-Regulator II for TL5 lamps – Dimming: a next step in energy saving

HF-Regulator II for TL5 lamps

High-frequency electronic dimming ballast, using the analog protocol (1-10 V) for TL5 HE/HO and TL5 Eco lamps

Benefits

- The lamp power can be dimmed from 1 to 100% via the Analog control input (in accordance with the 1-10 V industry standard)
- Compliant with European and Asian norms and suitable for emergency lighting systems
- HF operation improves light quality, lamp lifetime
- Combined with controls, additional energy savings can be achieved

Features

- Programmed start: flicker-free ignition < 0.5 seconds and striation-free operation, no stroboscopic effects. Preheating the lamp electrodes enables the lamps to be switched on and off without reducing life
- Smart power ensures constant light, independent of mains fluctuations
- Up to 60% reduction in energy consumption by using automatic lighting control systems
- Stop circuit is activated within 5 seconds in the event of lamp failure (safety stop), and ballast resets automatically after lamp replacement

Application

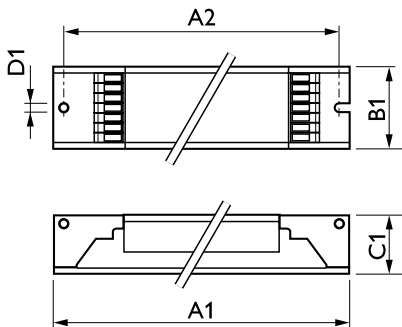
- Indoor, general and task lighting applications in combination with lighting control systems (personal control, daylight linking and/or movement detection)

HF-Regulator II for TL5 lamps

Versions



Dimensional drawing



Product

| |
|--|
| HF-R 249 TL5 EII 220-240V 50/60Hz |
| HF-R 1 14-35 TL5 EII 220-240V 50/60Hz |
| HF-R 149 TL5 EII 220-240V 50/60Hz |
| HF-R 424 TL5/PL-L EII 220-240V 50/60Hz |
| HF-R 414 TL5 EII 220-240V 50/60Hz |
| HF-R 2 14-35 TL5 EII 220-240V 50/60Hz |

Approval and Application

| | |
|-------------------------|--------|
| Energy Efficiency Index | A1 BAT |
|-------------------------|--------|

Operating and Electrical

| | |
|-----------------|--------------|
| Input Frequency | 50 to 60 Hz |
| Input Voltage | 220 to 240 V |

General Information

| Order Code | Full Product Name | Number Of Products On | | |
|------------|-----------------------------------|------------------------|-----------------|-----------|
| | | MCB (16A Type B) (Nom) | Number Of Lamps | Lamp Type |
| 90998530 | HF-R 149 TL5 EII 220-240V 50/60Hz | 28 | 1 piece/unit | TL5 |
| 91003530 | HF-R 249 TL5 EII 220-240V 50/60Hz | 12 | 2 piece/unit | TL5 |
| 91364730 | HF-R 414 TL5 EII 220-240V 50/60Hz | 28 | 4 piece/unit | TL5 |

| Order Code | Full Product Name | Number Of Products On | | |
|------------|--|------------------------|-----------------|-----------|
| | | MCB (16A Type B) (Nom) | Number Of Lamps | Lamp Type |
| 91374630 | HF-R 424 TL5/PL-L EII 220-240V 50/60Hz | 12 | 4 piece/unit | TL5/PL-L |
| 91178030 | HF-R 2 14-35 TL5 EII 220-240V 50/60Hz | 12 | 2 piece/unit | TL5 |
| 91180330 | HF-R 1 14-35 TL5 EII 220-240V 50/60Hz | 28 | 1 piece/unit | TL5 |

Mechanical and Housing

| Order Code | Full Product Name | Housing |
|------------|-----------------------------------|-------------|
| 90998530 | HF-R 149 TL5 EII 220-240V 50/60Hz | L 360x30x21 |

| Order Code | Full Product Name | Housing |
|------------|-----------------------------------|-------------|
| 91003530 | HF-R 249 TL5 EII 220-240V 50/60Hz | L 360x30x21 |

HF-Regulator II for TL5 lamps

| Order Code | Full Product Name | Housing |
|------------|--|-------------|
| 91364730 | HF-R 414 TL5 EII 220-240V 50/60Hz | L 359x39x22 |
| 91374630 | HF-R 424 TL5/PL-L EII 220-240V 50/60Hz | L 359x39x22 |

| Order Code | Full Product Name | Housing |
|------------|---------------------------------------|-------------|
| 91178030 | HF-R 2 14-35 TL5 EII 220-240V 50/60Hz | L 360x30x21 |
| 91180330 | HF-R 1 14-35 TL5 EII 220-240V 50/60Hz | L 360x30x21 |

System characteristics

| Order Code | Full Product Name | Rated Ballast-Lamp Power |
|------------|-----------------------------------|--------------------------|
| 90998530 | HF-R 149 TL5 EII 220-240V 50/60Hz | 49 W |
| 91003530 | HF-R 249 TL5 EII 220-240V 50/60Hz | 49 W |
| 91364730 | HF-R 414 TL5 EII 220-240V 50/60Hz | 14 W |

| Order Code | Full Product Name | Rated Ballast-Lamp Power |
|------------|--|--------------------------|
| 91374630 | HF-R 424 TL5/PL-L EII 220-240V 50/60Hz | 24 W |
| 91178030 | HF-R 2 14-35 TL5 EII 220-240V 50/60Hz | 14-35 W |
| 91180330 | HF-R 1 14-35 TL5 EII 220-240V 50/60Hz | 14-35 W |

