



# Product Description

## HF-Regulator II for TL5 lamps

Flat, lightweight high-frequency electronic regulating ballast, using 1-10V protocol for TL5 fluorescent lamps

### Benefits

- The lamp power can be dimmed from 1 to 100% via the Analog control input (in accordance with the 1-10 V industry standard)
- Compliant with European and Asian norms and suitable for emergency lighting systems
- HF operation improves light quality, lamp lifetime
- Combined with controls, additional energy savings can be achieved

### Features

- Programmed start: flicker-free ignition < 0.5 seconds and striation-free operation, no stroboscopic effects. Preheating the lamp electrodes enables the lamps to be switched on and off without reducing life
- Smart power ensures constant light, independent of mains fluctuations
- Up to 60% reduction in energy consumption by using automatic lighting control systems
- Stop circuit is activated within 5 seconds in the event of lamp failure (safety stop), and ballast resets automatically after lamp replacement

### Application

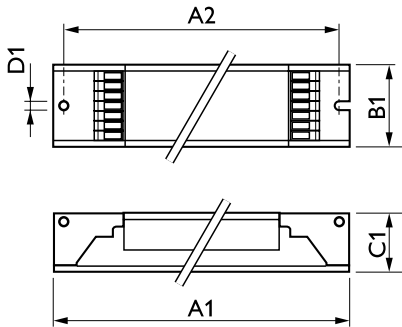
- 1-10V installations with daylight linking and/or movement detection (for energy savings)
- 1-10V installations with remote control systems (combining energy savings with comfort)
- Installations with emergency back-up, according to IEC 60598-2-22

# HF-Regulator II for TL5 lamps

## Versions



## Dimensional drawing



### Product

HF-R 2 14-35 TL5 EII 220-240V 50/60Hz

HF-R 1 14-35 TL5 EII 220-240V 50/60Hz



# HF-Regulator II for TL5 lamps

<b>Approval and Application</b>	
Energy Efficiency Index	A1 BAT
<b>Operating and Electrical</b>	
Input Frequency	50 to 60 Hz
Input Voltage	220 to 240 V
<b>General Information</b>	
Lamp Type	TL5
<b>Mechanical and Housing</b>	
Housing	L 360x30x21
<b>System characteristics</b>	
Rated Ballast-Lamp Power	14-35 W

## General Information

Order Code	Full Product Name	Number Of Products	
		On MCB (16A Type B) (Nom)	Number Of Lamps
913700619566	HF-R 2 14-35 TL5 EII 220-240V 50/60Hz	12	2 piece/unit

Order Code	Full Product Name	Number Of Products	
		On MCB (16A Type B) (Nom)	Number Of Lamps
913700619866	HF-R 1 14-35 TL5 EII 220-240V 50/60Hz	28	1 piece/unit

