



HF-Regulator II for TL5 lamps – Dimming: a next step in energy saving

HF-Regulator II for TL5 lamps

High-frequency electronic dimming ballast, using the analog protocol (1-10 V) for TL5 HE/HO and TL5 Eco lamps. The ballast is primarily designed for Indoor application. For outdoor application, the luminaire should be minimum Class II and need to be sufficiently protected against water & dust. The installation should also be guard against any lightening surge or any other necessary electrical protection as deemed in such typical installation & application.

Benefits

- The lamp power can be dimmed from 1 to 100% via the Analog control input (in accordance with the 1-10 V industry standard)
- Compliant with European and Asian norms and suitable for emergency lighting systems
- HF operation improves light quality, lamp lifetime
- Combined with controls, additional energy savings can be achieved

Features

- Programmed start: flicker-free ignition < 0.5 seconds and striation-free operation, no stroboscopic effects. Preheating the lamp electrodes enables the lamps to be switched on and off without reducing life
- Smart power ensures constant light, independent of mains fluctuations
- Up to 60% reduction in energy consumption by using automatic lighting control systems
- Stop circuit is activated within 5 seconds in the event of lamp failure (safety stop), and ballast resets automatically after lamp replacement

HF-Regulator II for TL5 lamps

Application

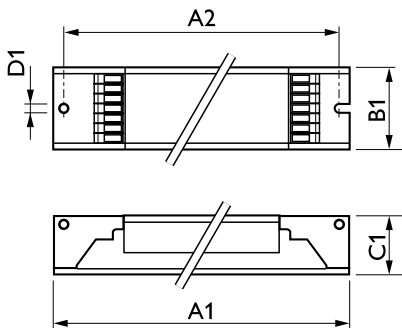
- Indoor, general and task lighting applications in combination with lighting control systems (personal control, daylight linking and/or movement detection)

Versions



HF-R 149 TL5 EII 220-240V 50/60Hz

Dimensional drawing



Product	D1	C1	A1	A2	B1
HF-R 414 TL5 EII 220-240V 50/60Hz	4.2 mm	22 mm	359 mm	350 mm	39 mm
HF-R 239 TL5 EII 220-240V 50/60Hz	4.2 mm	22 mm	359 mm	350 mm	30 mm
HF-R 2 14-35 TL5 EII 220-240V 50/60Hz	4.2 mm	22 mm	360 mm	350 mm	30 mm
HF-R 280 TL5/PL-L EII 220-240V 50/60Hz	4.2 mm	22 mm	425 mm	415 mm	30 mm
HF-R 249 TL5 EII 220-240V 50/60Hz	4.2 mm	22 mm	360 mm	350 mm	30 mm
HF-R 1 14-35 TL5 EII 220-240V 50/60Hz	4.2 mm	22 mm	360 mm	350 mm	30 mm
HF-R 139 TL5 EII 220-240V 50/60Hz	4.2 mm	22 mm	359 mm	350 mm	30 mm
HF-R 149 TL5 EII 220-240V 50/60Hz	4.2 mm	22 mm	360 mm	350 mm	30 mm
HF-R 424 TL5/PL-L EII 220-240V 50/60Hz	4.2 mm	22 mm	359 mm	350 mm	39 mm

Approval and Application

Energy Efficiency Index A1 BAT

Operating and Electrical

Input Frequency 50 to 60 Hz
 Input Voltage 220 to 240 V

General Information

HF-Regulator II for TL5 lamps

Order Code	Full Product Name	Number Of Products On MCB (16A Type B)		
		(Nom)	Number Of Lamps	Lamp Type
913700608666	HF-R 149 TL5 EII 220-240V 50/60Hz	28	1 piece/unit	TL5
913700608766	HF-R 249 TL5 EII 220-240V 50/60Hz	12	2 piece/unit	TL5
913700609166	HF-R 280 TL5/PL-L EII 220-240V 50/60Hz	9	2 piece/unit	TL5/PL-L
913700614466	HF-R 414 TL5 EII 220-240V 50/60Hz	28	4 piece/unit	TL5
913700614866	HF-R 424 TL5/PL-L EII 220-240V 50/60Hz	12	4 piece/unit	TL5/PL-L

Order Code	Full Product Name	Number Of Products On MCB (16A Type B)		
		(Nom)	Number Of Lamps	Lamp Type
913700619566	HF-R 2 14-35 TL5 EII 220-240V 50/60Hz	12	2 piece/unit	TL5
913700619866	HF-R 1 14-35 TL5 EII 220-240V 50/60Hz	28	1 piece/unit	TL5
913700632966	HF-R 139 TL5 EII 220-240V 50/60Hz	28	1 piece/unit	TL5
913700633266	HF-R 239 TL5 EII 220-240V 50/60Hz	12	2 piece/unit	TL5

Mechanical and Housing

Order Code	Full Product Name	Housing
913700608666	HF-R 149 TL5 EII 220-240V 50/60Hz	L 360x30x21
913700608766	HF-R 249 TL5 EII 220-240V 50/60Hz	L 360x30x21
913700609166	HF-R 280 TL5/PL-L EII 220-240V 50/60Hz	L 425x30x21
913700614466	HF-R 414 TL5 EII 220-240V 50/60Hz	L 359x39x22
913700614866	HF-R 424 TL5/PL-L EII 220-240V 50/60Hz	L 359x39x22

Order Code	Full Product Name	Housing
913700619566	HF-R 2 14-35 TL5 EII 220-240V 50/60Hz	L 360x30x21
913700619866	HF-R 1 14-35 TL5 EII 220-240V 50/60Hz	L 360x30x21
913700632966	HF-R 139 TL5 EII 220-240V 50/60Hz	L 359x30x22
913700633266	HF-R 239 TL5 EII 220-240V 50/60Hz	L 359x30x22

System characteristics

Order Code	Full Product Name	Rated Ballast-Lamp Power
913700608666	HF-R 149 TL5 EII 220-240V 50/60Hz	49 W
913700608766	HF-R 249 TL5 EII 220-240V 50/60Hz	49 W
913700609166	HF-R 280 TL5/PL-L EII 220-240V 50/60Hz	80 W
913700614466	HF-R 414 TL5 EII 220-240V 50/60Hz	14 W
913700614866	HF-R 424 TL5/PL-L EII 220-240V 50/60Hz	24 W

Order Code	Full Product Name	Rated Ballast-Lamp Power
913700619566	HF-R 2 14-35 TL5 EII 220-240V 50/60Hz	14-35 W
913700619866	HF-R 1 14-35 TL5 EII 220-240V 50/60Hz	14-35 W
913700632966	HF-R 139 TL5 EII 220-240V 50/60Hz	39 W
913700633266	HF-R 239 TL5 EII 220-240V 50/60Hz	39 W

