



# Dimming the next step in energy saving

## HF-Regulator Intelligent Touch DALI for TL5/TL-D/PL-L lamps

This intelligent high-frequency electronic dimming ballast utilizes the DALI or Touch and Dim push-button protocol for fluorescent lamps. It meets A1BAT requirements, thereby pre-empting upcoming legislation. With a special command you can retrieve the system's mains power consumption, and with another you can find out which lamp wattage is connected. Combined with controls, additional energy savings can be achieved.

### Avantages

- Extremely low stand-by losses, controlled cut-off for dim levels above 80%, hybrid control dimming (current control at 100% and power control at 1%) – combined with MASTER TL5 Eco the most energy-efficient solution
- HF operation improves light quality and lamp lifetime.
- Compliant with European and Asian norms and suitable for emergency lighting systems

### Fonctions

- HF-R Intelligent recognizes what type of lamp (T5 HE, HO, ECO, TL-D, PL-L) is connected and drives it accordingly
- Programmed start: flicker-free ignition < 1.0 second and striation-free operation, no stroboscopic effects. Preheating the lamp electrodes enables the lamps to be switched on and off without reducing life
- Smart power ensures constant light, independent of mains fluctuations and dimming from 1 to 100%
- Stop circuit is activated within 5 seconds in the event of lamp failure (safety stop), and ballast resets automatically after lamp replacement
- Programmable for intelligent functionalities via Philips MultiOne: Corridor mode, Emergency DC dim level, Burn-in time

# HF-Regulator Intelligent Touch DALI for TL5/TL-D/PL-L lamps

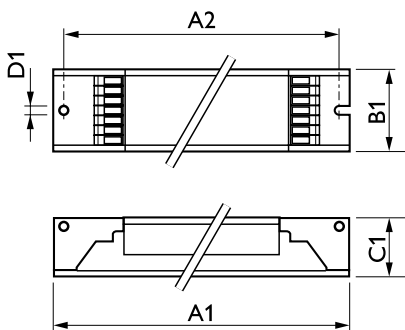
## Application

- Indoor, general and task lighting applications in combination with lighting control systems (personal control, daylight linking and/or movement detection)

## Versions



## Schéma dimensionnel



Product	D1	C1	A1	A2	B1
HF-Ri TD 2 28/35/49/54 TL5	4,1 mm	22,0	360,0	350,0	30,0
E+ 195-240V		mm	mm	mm	mm
HF-Ri TD 1 28/35/49/54 TL5	4,1 mm	22,0	360,0	350,0	30,0
E+ 195-240V		mm	mm	mm	mm

### Approbation et utilisation

Indice d'efficacité énergétique A1 BAT

### Fonctionnement et électricité

Fréquence d'entrée 50 à 60 Hz

Tension d'entrée 195-240 V

### Renseignements généraux

Type de lampe TL5

### Mécanique et boîtier

Boîtier L 359x30x21

### Caractéristiques du système

Puissance nominale ballast-lampe 28-35-49-54 W

## Renseignements généraux

## HF-Regulator Intelligent Touch DALI for TL5/TL-D/PL-L lamps

Order Code	Full Product Name	Nombre de produits avec MCB (16 A type B) (nom.)	Nombre de lampes
502377	HF-Ri TD 1 28/35/49/54 TL5 E+ 195-240V	39	1 piece/unit

Order Code	Full Product Name	Nombre de produits avec MCB (16 A type B) (nom.)	Nombre de lampes
502393	HF-Ri TD 2 28/35/49/54 TL5 E+ 195-240V	18	2 piece/unit

### Caractéristiques du système

Order Code	Full Product Name	Puissance de la lampe avec PL-L	Puissance de la lampe avec TL5	Puissance de la lampe avec TL5 ECO	Puissance de la lampe avec TL-D	Puissance de la lampe avec TL-D ECO
502377	HF-Ri TD 1 28/35/49/54 TL5 E+ 195-240V	51.2 W	29.4/36.4/51.6/54.8 W	26.3/30.2/45.7/50.4 W	52.2 W	42.7 W
502393	HF-Ri TD 2 28/35/49/54 TL5 E+ 195-240V	101.6 W	58.9/73.6/107.2/113.4 W	50.8/66.5/95.6/102.7 W	101.1 W	89.8 W

