



Instant heat exactly where and when needed

InfraRed Industrial Heat Incandescent

The Philips infrared incandescent reflector lamps are designed to work in the toughest environment such as farm, bathroom or kitchen and their nearest surrounding. They have a reinforced construction thanks to hard glass use. Their compact form and universal cap base allow them to be used with any suitable equipment. A very good method of generating warmth is by using heat lamps. The Philips infrared lamps provide direct, draught-free warmth to the animals, people, but also food. These benefits have made farmers, consumers and cooks around the world choose Philips infrared lamps, because they are the sturdiest, most efficient lamps available for these applications.

Benefits

Features

Application

InfraRed Industrial Heat Incandescent

Versions



E27, BR125, Red



E27, BR125, Clear



E27, R125, Clear

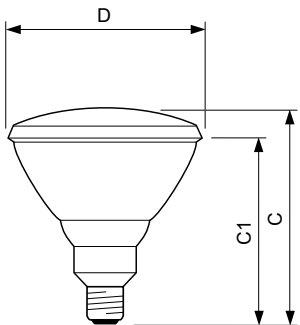
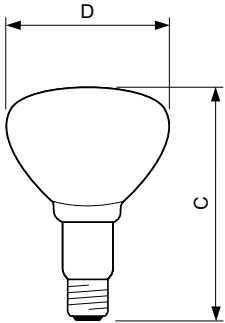


PAR 38 IR E27 Red



E26/E27, PAR38

Dimensional drawing



Product	D	C (max)
BR125 IR 250W E27 230-250V Red 1CT/10	125 mm	173 mm
BR125 IR 150W E27 230-250V CL 1CT/10	125 mm	173 mm
BR125 IR 150W E27 230-250V Red 1CT/10	125 mm	173 mm
BR125 IR 250W E27 230-250V CL 1CT/10	125 mm	173 mm

Product
PAR38 IR 175W E27 230V CL 1CT/12
PAR38 IR 100W E27 230V CL 1CT/12
PAR38 IR 175W E27 230V Red 1CT/12
PAR38 IR 100W E27 230V Red 1CT/12

InfraRed Industrial Heat Incandescent

Dimensional drawing

D

Product	D	C (max)
R125 IR 375W E27 230-250V CL 1CT/10	125 mm	183 mm

Controls and Dimming

Dimmable	Yes
----------	-----

General Information

Cap-Base	E27
Nominal Lifetime (Nom)	5000 h
Main Application	Infrared Industrial
Rated Lifetime (Hours)	5000 h

Mechanical and Housing

Bulb Material	Hard Glass
---------------	------------

Operating and Electrical

Order Code	Full Product Name	Voltage (Nom)	Power (Rated) (Nom)
57520325	BR125 IR 150W E27 230-250V Red 1CT/10	230-250 V	150 W
57521025	BR125 IR 250W E27 230-250V Red 1CT/10	230-250 V	250 W
57522725	BR125 IR 150W E27 230-250V CL 1CT/10	230-250 V	150 W
57523425	BR125 IR 250W E27 230-250V CL 1CT/10	230-250 V	250 W

Order Code	Full Product Name	Voltage (Nom)	Power (Rated) (Nom)
12659725	R125 IR 375W E27 230-250V CL 1CT/10	230-250 V	375 W
60052315	PAR38 IR 100W E27 230V Red 1CT/12	230 V	100 W
60053015	PAR38 IR 175W E27 230V Red 1CT/12	230 V	175 W
11578215	PAR38 IR 100W E27 230V CL 1CT/12	230 V	100 W
11579915	PAR38 IR 175W E27 230V CL 1CT/12	230 V	175 W

General Information

Order Code	Full Product Name	Operating Position
57520325	BR125 IR 150W E27 230-250V Red 1CT/10	H45
57521025	BR125 IR 250W E27 230-250V Red 1CT/10	H45
57522725	BR125 IR 150W E27 230-250V CL 1CT/10	UNIVERSAL
57523425	BR125 IR 250W E27 230-250V CL 1CT/10	UNIVERSAL
12659725	R125 IR 375W E27 230-250V CL 1CT/10	UNIVERSAL

Order Code	Full Product Name	Operating Position
60052315	PAR38 IR 100W E27 230V Red 1CT/12	H45
60053015	PAR38 IR 175W E27 230V Red 1CT/12	H45
11578215	PAR38 IR 100W E27 230V CL 1CT/12	UNIVERSAL
11579915	PAR38 IR 175W E27 230V CL 1CT/12	UNIVERSAL

Luminaire Design Requirements

Order Code	Full Product Name	Bulb Temperature (Max)
57520325	BR125 IR 150W E27 230-250V Red 1CT/10	250 °C
57521025	BR125 IR 250W E27 230-250V Red 1CT/10	250 °C
57522725	BR125 IR 150W E27 230-250V CL 1CT/10	500 °C

Order Code	Full Product Name	Bulb Temperature (Max)
57523425	BR125 IR 250W E27 230-250V CL 1CT/10	500 °C
12659725	R125 IR 375W E27 230-250V CL 1CT/10	500 °C
60052315	PAR38 IR 100W E27 230V Red 1CT/12	-

InfraRed Industrial Heat Incandescent

Order Code	Full Product Name	Bulb Temperature (Max)
60053015	PAR38 IR 175W E27 230V Red 1CT/12	-
11578215	PAR38 IR 100W E27 230V CL 1CT/12	-

Order Code	Full Product Name	Bulb Temperature (Max)
11579915	PAR38 IR 175W E27 230V CL 1CT/12	-

Mechanical and Housing

Order Code	Full Product Name	Bulb Finish	Bulb Shape
57520325	BR125 IR 150W E27 230-250V Red 1CT/10	Red	BR125
57521025	BR125 IR 250W E27 230-250V Red 1CT/10	Red	BR125
57522725	BR125 IR 150W E27 230-250V CL 1CT/10	Clear	BR125
57523425	BR125 IR 250W E27 230-250V CL 1CT/10	Clear	BR125
12659725	R125 IR 375W E27 230-250V CL 1CT/10	Clear	R125

Order Code	Full Product Name	Bulb Finish	Bulb Shape
60052315	PAR38 IR 100W E27 230V Red 1CT/12	Red	PAR38
60053015	PAR38 IR 175W E27 230V Red 1CT/12	Red	PAR38
11578215	PAR38 IR 100W E27 230V CL 1CT/12	Clear	PAR38
11579915	PAR38 IR 175W E27 230V CL 1CT/12	Clear	PAR38

Light Technical

Order Code	Full Product Name	Color Designation
57520325	BR125 IR 150W E27 230-250V Red 1CT/10	-
57521025	BR125 IR 250W E27 230-250V Red 1CT/10	-
57522725	BR125 IR 150W E27 230-250V CL 1CT/10	-
57523425	BR125 IR 250W E27 230-250V CL 1CT/10	-
12659725	R125 IR 375W E27 230-250V CL 1CT/10	-

Order Code	Full Product Name	Color Designation
60052315	PAR38 IR 100W E27 230V Red 1CT/12	R
60053015	PAR38 IR 175W E27 230V Red 1CT/12	R
11578215	PAR38 IR 100W E27 230V CL 1CT/12	C
11579915	PAR38 IR 175W E27 230V CL 1CT/12	C

