



# Accessories - completing your Luminaire Based System

## Luminaire Based Accessories

Luminaire Based Accessories cover a generic range of products which can be used to extend functionality and/or simplify the design-in of our luminaire based systems.

### Benefits

- Luminaire based accessories offer the possibility to extend the ActiLume family
- Accessories are clips, covers, rings and extension sensors
- Clips will ease the installation of sensors by making it possible to clip them onto the lamp
- Covers and rings are to obtain the same outer dimensions across the ActiLume family sensors and extension sensors
- Ease of installation

### Features

- Philips ActiLume systems are DALI- or 1-10V based lighting control system designed for maximum comfort and energy savings of up to 75% (in fully automatic mode and when used in combination with Philips HF-Regulator Touch and DALI or 1-10V ballasts)

### Application

- Luminaire based accessories are designed for all ActiLume systems used in office applications

# Luminaire Based Accessories

## Versions



LRM8120/05 Lum Bas Ind Ext  
Sensor H513 N

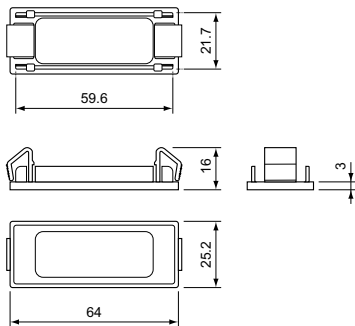


LCA8009/05 Cover ActiLume IR  
sensor 50 W

LRM8140/00 ActiLume G2 RF Mov  
Sensor



## Dimensional drawing

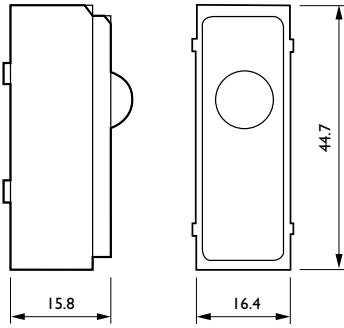


### Product

LCA8005/05 ActiLume Mounting Clip 50 W

# Luminaire Based Accessories

## Dimensional drawing



### Product

LRM8119/00 Lum Based Ext Sensor 100cm

## Product details

LRM8119/00 Lum Based Ext  
Sensor with LCA8004/00 COVER



LRM8119/00 Lum Based Ext  
Sensor with LCA8004/00 COVER



LRM8119/00 Lum Based Ext  
Sensor with LCA8004/00 COVER



LRM8119/00 Lum Based Ext  
Sensor with LCA8004/00 COVER



LRM8120 Lum Bas Ind Ext Sensor  
H513 N Front



## Luminaire Based Accessories

### Product details



LRM8140/00 ActiLume G2 RF Mov  
Sensor - Front

