



# The new generation of energy saving tube lighting

## MASTER LEDtube EM/Mains T8

The Philips MASTER LEDtube integrates a LED light source into a traditional fluorescent form factor. Its unique design creates a perfectly uniform visual appearance which cannot be distinguished from traditional fluorescent. This product is the ideal solution for up lighting in general lighting applications.

### Benefits

- Absolute performance that provides a solution for every application
- Unparalleled savings with low energy consumption and long lifetime
- Robust and reliable: stands up to everyday conditions

### Features

- Only 50% energy consumption compared to fluorescent tubes
- Extra-long life of 40,000 hours
- Retrofit to existing T8 lamps on EM or HF electronic gear
- Full safety features and EM Protector safety device
- No mercury

### Application

- Car parks
- Warehouses
- Transport and distribution areas
- Front & back of house retail & hospitality

### Warnings and Safety

- NOTE: The overall energy efficiency and light distribution of any installation that uses these lamps will be determined by the design of the installation.

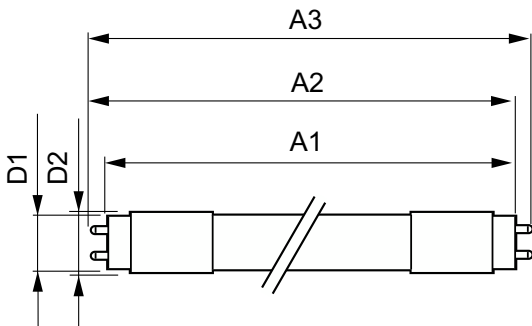
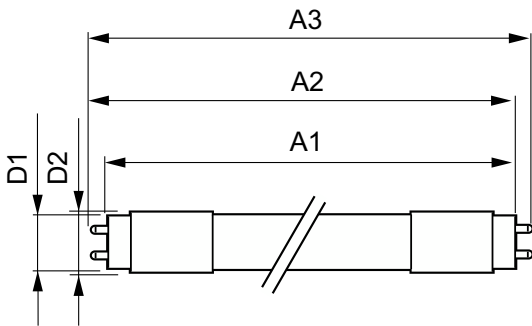
# MASTER LEDtube EM/Mains T8

## Versions



LEDtube 1200mm HO T8

## Dimensional drawing



Product	D1	D2	A1	A2	A3
MAS LEDtube 1200mm UO 14.7W 865 T8	25.8 mm	28 mm	1198.2 mm	1205.3 mm	1212.4 mm
MAS LEDtube 1500mm UO 21.7W 840 T8	25.8 mm	28 mm	1498.8 mm	1505.9 mm	1513 mm

Product	D1	D2	A1	A2	A3
MAS LEDtube 1200mm HO 14W830 T8	25.8 mm	28 mm	1198.2 mm	1205.3 mm	1212.4 mm
MAS LEDtube 1200mm HO 14W840 T8	25.8 mm	28 mm	1198.2 mm	1205.3 mm	1212.4 mm
MAS LEDtube 1200mm HO 14W865 T8	25.8 mm	28 mm	1198.2 mm	1205.3 mm	1212.4 mm
MAS LEDtube 600mm HO 8W830 T8	25.8 mm	28 mm	588.5 mm	595.5 mm	602.5 mm
MAS LEDtube 600mm HO 8W840 T8	25.8 mm	28 mm	588.5 mm	595.5 mm	602.5 mm
MAS LEDtube 600mm HO 8W865 T8	25.8 mm	28 mm	588.5 mm	595.5 mm	602.5 mm
MAS LEDtube STD 1200mm 10.5W840 T8	25.8 mm	28 mm	1198.2 mm	1205.3 mm	1212.4 mm
MAS LEDtube STD 1200mm 10.5W865 T8	25.8 mm	28 mm	1198.2 mm	1205.3 mm	1212.4 mm

# MASTER LEDtube EM/Mains T8

General Information	
Switching Cycle	200000
Light Technical	
LLMF At End Of Nominal Lifetime (Nom)	70 %
Operating and Electrical	
Input Frequency	50 to 60 Hz
Line Frequency	50 to 60 Hz
Starting Time (Nom)	0.5 s
Temperature	
Ambient temperature range	-20 °C to 45 °C
Controls and Dimming	
Dimmable	No
Mechanical and Housing	
Bulb Finish	Frosted
Bulb Shape	T8

## General Information

Order Code	Full Product Name	Cap-Base	Nominal lifetime
929002998402	MAS LEDtube 1200mm UO 14.7W 865 T8	G13 ROT	75000 hour(s)
929002998602	MAS LEDtube 1500mm UO 21.7W 840 T8	G13 ROT	75000 hour(s)
929003555808	MAS LEDtube STD 1200mm 10.5W840 T8	G13	60000 hour(s)
929003555908	MAS LEDtube STD 1200mm 10.5W865 T8	G13	60000 hour(s)
929003556008	MAS LEDtube 1200mm HO 14W830 T8	G13	60000 hour(s)
929003556108	MAS LEDtube 1200mm HO 14W840 T8	G13	60000 hour(s)
929003556208	MAS LEDtube 1200mm HO 14W865 T8	G13	60000 hour(s)
929003557208	MAS LEDtube 600mm HO 8W830 T8	G13	60000 hour(s)
929003557308	MAS LEDtube 600mm HO 8W840 T8	G13	60000 hour(s)
929003557408	MAS LEDtube 600mm HO 8W865 T8	G13	60000 hour(s)

## Light Technical (1/2)

Order Code	Full Product Name	Beam Angle (Nom)	Correlated		
			Color Temperature (Nom)	Color rendering index (CRI)	Color Code
929002998402	MAS LEDtube 1200mm UO 14.7W 865 T8	160 degree(s)	6500 K	80	865
929002998602	MAS LEDtube 1500mm UO 21.7W 840 T8	160 degree(s)	4000 K	80	840
929003555808	MAS LEDtube STD 1200mm 10.5W840 T8	190 degree(s)	4000 K	80	840
929003555908	MAS LEDtube STD 1200mm 10.5W865 T8	190 degree(s)	6500 K	80	865
929003556008	MAS LEDtube 1200mm HO 14W830 T8	190 degree(s)	3000 K	80	830

Order Code	Full Product Name	Beam Angle (Nom)	Correlated		
			Color Temperature (Nom)	Color rendering index (CRI)	Color Code
929003556108	MAS LEDtube 1200mm HO 14W840 T8	190 degree(s)	4000 K	80	840
929003556208	MAS LEDtube 1200mm HO 14W865 T8	190 degree(s)	6500 K	80	865
929003557208	MAS LEDtube 600mm HO 8W830 T8	190 degree(s)	3000 K	83	830
929003557308	MAS LEDtube 600mm HO 8W840 T8	190 degree(s)	4000 K	83	840
929003557408	MAS LEDtube 600mm HO 8W865 T8	190 degree(s)	6500 K	83	865

## Light Technical (2/2)

Order Code	Full Product Name	Luminous Flux
929002998402	MAS LEDtube 1200mm UO 14.7W 865 T8	2500 lm
929002998602	MAS LEDtube 1500mm UO 21.7W 840 T8	3700 lm
929003555808	MAS LEDtube STD 1200mm 10.5W840 T8	1600 lm
929003555908	MAS LEDtube STD 1200mm 10.5W865 T8	1600 lm
929003556008	MAS LEDtube 1200mm HO 14W830 T8	2000 lm

Order Code	Full Product Name	Luminous Flux
929003556108	MAS LEDtube 1200mm HO 14W840 T8	2100 lm
929003556208	MAS LEDtube 1200mm HO 14W865 T8	2100 lm
929003557208	MAS LEDtube 600mm HO 8W830 T8	1000 lm
929003557308	MAS LEDtube 600mm HO 8W840 T8	1050 lm
929003557408	MAS LEDtube 600mm HO 8W865 T8	1050 lm

# MASTER LEDtube EM/Mains T8

## Operating and Electrical

Order Code	Full Product Name	Power Consumption
929002998402	MAS LEDtube 1200mm UO 14.7W 865 T8	14.7 W
929002998602	MAS LEDtube 1500mm UO 21.7W 840 T8	21.7 W
929003555808	MAS LEDtube STD 1200mm 10.5W840 T8	10.5 W
929003555908	MAS LEDtube STD 1200mm 10.5W865 T8	10.5 W
929003556008	MAS LEDtube 1200mm HO 14W830 T8	14 W

Order Code	Full Product Name	Power Consumption
929003556108	MAS LEDtube 1200mm HO 14W840 T8	14 W
929003556208	MAS LEDtube 1200mm HO 14W865 T8	14 W
929003557208	MAS LEDtube 600mm HO 8W830 T8	8 W
929003557308	MAS LEDtube 600mm HO 8W840 T8	8 W
929003557408	MAS LEDtube 600mm HO 8W865 T8	8 W

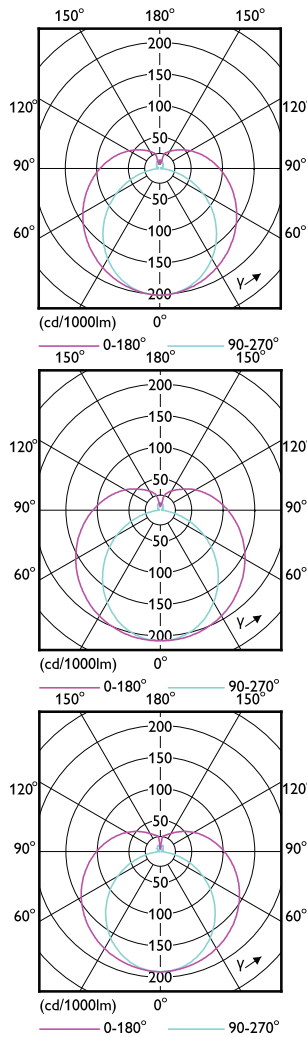
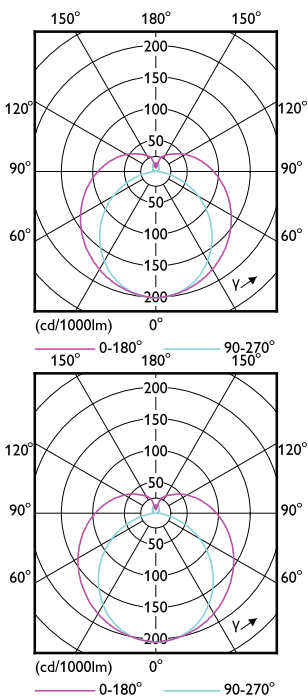
## Temperature

Order Code	Full Product Name	T-Case Maximum (Nom)
929002998402	MAS LEDtube 1200mm UO 14.7W 865 T8	55 °C
929002998602	MAS LEDtube 1500mm UO 21.7W 840 T8	60 °C
929003555808	MAS LEDtube STD 1200mm 10.5W840 T8	50 °C
929003555908	MAS LEDtube STD 1200mm 10.5W865 T8	50 °C
929003556008	MAS LEDtube 1200mm HO 14W830 T8	50 °C

Order Code	Full Product Name	T-Case Maximum (Nom)
929003556108	MAS LEDtube 1200mm HO 14W840 T8	50 °C
929003556208	MAS LEDtube 1200mm HO 14W865 T8	50 °C
929003557208	MAS LEDtube 600mm HO 8W830 T8	50 °C
929003557308	MAS LEDtube 600mm HO 8W840 T8	50 °C
929003557408	MAS LEDtube 600mm HO 8W865 T8	50 °C

## Approval and Application

Order Code	Full Product Name	Energy Consumption kWh/ 1000 h
929002998402	MAS LEDtube 1200mm UO 14.7W 865 T8	15 kWh
929002998602	MAS LEDtube 1500mm UO 21.7W 840 T8	22 kWh
929003555808	MAS LEDtube STD 1200mm 10.5W840 T8	-
929003555908	MAS LEDtube STD 1200mm 10.5W865 T8	-
929003556008	MAS LEDtube 1200mm HO 14W830 T8	-
929003556108	MAS LEDtube 1200mm HO 14W840 T8	-
929003556208	MAS LEDtube 1200mm HO 14W865 T8	-
929003557208	MAS LEDtube 600mm HO 8W830 T8	-
929003557308	MAS LEDtube 600mm HO 8W840 T8	-
929003557408	MAS LEDtube 600mm HO 8W865 T8	-



# MASTER LEDtube EM/Mains T8

