



MASTER LEDtube GA —— 新一代的节能管照明

MASTER LEDtube GA 灯管

飞利浦 MASTER LEDtube 内建 LED 光源，在传统线性荧光灯外型中融合了雾面外盖设计，这项产品的长使用寿命与出色的流明维持率，将更换灯泡的麻烦减到最少，同时降低了维护成本。提供完整系列。

优点

- 节能环保，适合公共场所照明应用环境
- 使用寿命长达 30000 小时,维修成本少
- 直接替换 T8 荧光灯管,使用简单方便

特点

- 节能环保，适合公共场所照明应用环境
- 使用寿命长达 30000 小时,维修成本少
- 直接替换 T8 荧光灯管,使用简单方便

应用

- 停车场照明，工厂照明
- 办公室照明
- 公共场所照明

安全提示

· -

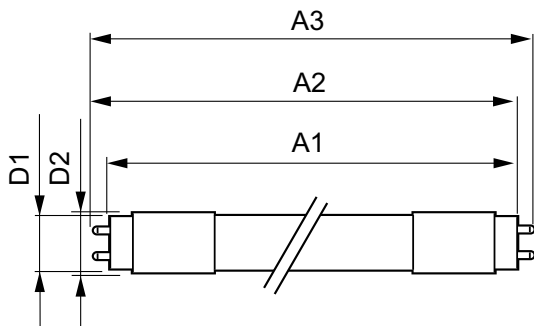
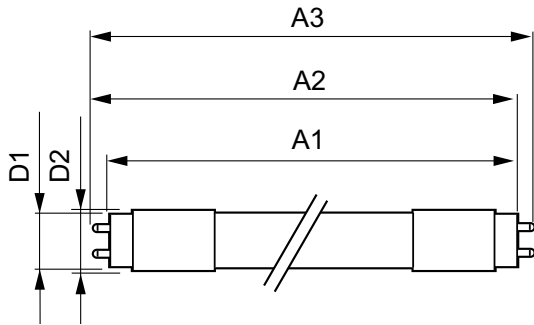
MASTER LEDtube GA 灯管

Versions



MASTER LEDtube GA 灯管

二维绘图



Product	D1	D2	A1	A2	A3
MASTER LEDtube 900mm HO 12W 865 T8	25.78 mm	28 mm	893.3 mm	900.4 mm	907.5 mm
MASTER LEDtube 900mm HO 12W 840 T8	25.78 mm	28 mm	893.3 mm	900.4 mm	907.5 mm
MASTER LEDtube STD 1200mm 10.5W865 T8 I	25.8 mm	28 mm	1198.2 mm	1205.3 mm	1212.4 mm
MASTER LEDtube STD 1200mm 10.5W840 T8 I	25.8 mm	28 mm	1198.2 mm	1205.3 mm	1212.4 mm
MASTER LEDtube 1200mm UO 14.7W 830 T8	25.8 mm	28 mm	1198.2 mm	1205.3 mm	1212.4 mm
MASTER LEDtube 1200mm UO 14.7W 840 T8	25.8 mm	28 mm	1198.2 mm	1205.3 mm	1212.4 mm
MASTER LEDtube 1500mm UO 21.7W 830 T8	25.8 mm	28 mm	1498.8 mm	1505.9 mm	1513 mm
MASTER LEDtube 1500mm UO 21.7W 865 T8	25.8 mm	28 mm	1498.8 mm	1505.9 mm	1513 mm
MASTER LEDtube 1200mm UO 14.7W 865 T8	25.8 mm	28 mm	1198.2 mm	1205.3 mm	1212.4 mm
MASTER LEDtube 1500mm UO 21.7W 840 T8	25.8 mm	28 mm	1498.8 mm	1505.9 mm	1513 mm

Product	D1	D2	A1	A2	A3
MASTER LEDtube 1200mm HO 14W830 T8	25.8 mm	28 mm	1198.2 mm	1205.3 mm	1212.4 mm
MASTER LEDtube 1200mm HO 14W865 T8	25.8 mm	28 mm	1198.2 mm	1205.3 mm	1212.4 mm
MASTER LEDtube 1200mm HO 14W840 T8	25.8 mm	28 mm	1198.2 mm	1205.3 mm	1212.4 mm
MASTER LEDtube 1200mm HO 12.5W 865 T8	25.8 mm	28 mm	1198.2 mm	1205.3 mm	1212.4 mm
MASTER LEDtube 1200mm HO 12.5W 840 T8	25.8 mm	28 mm	1198.2 mm	1205.3 mm	1212.4 mm
MASTER LEDtube 1200mm HO 12.5W 830 T8	25.8 mm	28 mm	1198.2 mm	1205.3 mm	1212.4 mm
MASTER LEDtube 1500mm HO 18.2W 865 T8	25.8 mm	28 mm	1498.8 mm	1505.9 mm	1513 mm
MASTER LEDtube 1500mm HO 18.2W 840 T8	25.8 mm	28 mm	1498.8 mm	1505.9 mm	1513 mm
MASTER LEDtube 1500mm HO 18.2W 830 T8	25.8 mm	28 mm	1498.8 mm	1505.9 mm	1513 mm
MASTER LEDtube 1050mm 16W 840 T8	25.8 mm	28 mm	1045.8 mm	1052.9 mm	1060 mm

MASTER LEDtube GA 灯管

二维绘图



Product	D1	D2	C1
MASTER LEDtube Starter EMP GenII OP	3 mm	21.5 mm	34.5 mm

应用

Order Code	Full Product Name	能耗 kWh/1000 h
929001297608	MASTER LEDtube STD 1200mm 10.5W840 T8 I	11 kWh
929001297708	MASTER LEDtube STD 1200mm 10.5W865 T8 I	11 kWh
929001298402	MASTER LEDtube 900mm HO 12W 840 T8	12 kWh
929001298502	MASTER LEDtube 900mm HO 12W 865 T8	12 kWh
929001299208	MASTER LEDtube 1200mm HO 14W830 T8	14 kWh
929001299308	MASTER LEDtube 1200mm HO 14W840 T8	14 kWh
929001299408	MASTER LEDtube 1200mm HO 14W865 T8	14 kWh
929001801432	MASTER LEDtube Starter EMP GenII OP	-
929001922602	MASTER LEDtube 1200mm HO 12.5W 830 T8	13 kWh
929001922702	MASTER LEDtube 1200mm HO 12.5W 840 T8	13 kWh
929001922802	MASTER LEDtube 1200mm HO 12.5W 865 T8	13 kWh

Order Code	Full Product Name	能耗 kWh/1000 h
929001922902	MASTER LEDtube 1500mm HO 18.2W 830 T8	19 kWh
929001923002	MASTER LEDtube 1500mm HO 18.2W 840 T8	19 kWh
929001923102	MASTER LEDtube 1500mm HO 18.2W 865 T8	19 kWh
929001961102	MASTER LEDtube 1050mm 16W 840 T8	16 kWh
929002998202	MASTER LEDtube 1200mm UO 14.7W 830 T8	15 kWh
929002998302	MASTER LEDtube 1200mm UO 14.7W 840 T8	15 kWh
929002998402	MASTER LEDtube 1200mm UO 14.7W 865 T8	15 kWh
929002998502	MASTER LEDtube 1500mm UO 21.7W 830 T8	22 kWh
929002998602	MASTER LEDtube 1500mm UO 21.7W 840 T8	22 kWh
929002998702	MASTER LEDtube 1500mm UO 21.7W 865 T8	22 kWh

控制调光

Order Code	Full Product Name	可调光
929001297608	MASTER LEDtube STD 1200mm 10.5W840 T8 I	否
929001297708	MASTER LEDtube STD 1200mm 10.5W865 T8 I	否
929001298402	MASTER LEDtube 900mm HO 12W 840 T8	否
929001298502	MASTER LEDtube 900mm HO 12W 865 T8	否
929001299208	MASTER LEDtube 1200mm HO 14W830 T8	否
929001299308	MASTER LEDtube 1200mm HO 14W840 T8	否
929001299408	MASTER LEDtube 1200mm HO 14W865 T8	否
929001801432	MASTER LEDtube Starter EMP GenII OP	-
929001922602	MASTER LEDtube 1200mm HO 12.5W 830 T8	否
929001922702	MASTER LEDtube 1200mm HO 12.5W 840 T8	否
929001922802	MASTER LEDtube 1200mm HO 12.5W 865 T8	否

Order Code	Full Product Name	可调光
929001922902	MASTER LEDtube 1500mm HO 18.2W 830 T8	否
929001923002	MASTER LEDtube 1500mm HO 18.2W 840 T8	否
929001923102	MASTER LEDtube 1500mm HO 18.2W 865 T8	否
929001961102	MASTER LEDtube 1050mm 16W 840 T8	否
929002998202	MASTER LEDtube 1200mm UO 14.7W 830 T8	否
929002998302	MASTER LEDtube 1200mm UO 14.7W 840 T8	否
929002998402	MASTER LEDtube 1200mm UO 14.7W 865 T8	否
929002998502	MASTER LEDtube 1500mm UO 21.7W 830 T8	否
929002998602	MASTER LEDtube 1500mm UO 21.7W 840 T8	否
929002998702	MASTER LEDtube 1500mm UO 21.7W 865 T8	否

运营和电气

Order Code	Full Product Name	输入频率	电压 (标称) (称)	功率 (额定) (标称)	启动时间 (标称)
929001297608	MASTER LEDtube STD 1200mm 10.5W840 T8 I	50 至 60 Hz	220-240 V	10.5 W	0.5 s

Order Code	Full Product Name	输入频率	电压 (标称) (称)	功率 (额定) (标称)	启动时间 (标称)
929001297708	MASTER LEDtube STD 1200mm 10.5W865 T8 I	50 至 60 Hz	220-240 V	10.5 W	0.5 s

MASTER LEDtube GA 灯管

Order Code	Full Product Name	输入频率	电压 (标称)	功率 (额定)(标称)	启动时间 (标称)
929001298402	MASTER LEDtube 900mm HO 12W 840 T8	50 至 60 Hz	220-240 V	12 W	0.5 s
929001298502	MASTER LEDtube 900mm HO 12W 865 T8	50 至 60 Hz	220-240 V	12 W	0.5 s
929001299208	MASTER LEDtube 1200mm HO 14W830 T8	50 至 60 Hz	220-240 V	14 W	0.5 s
929001299308	MASTER LEDtube 1200mm HO 14W840 T8	50 至 60 Hz	220-240 V	14 W	0.5 s
929001299408	MASTER LEDtube 1200mm HO 14W865 T8	50 至 60 Hz	220-240 V	14 W	0.5 s
929001801432	MASTER LEDtube Starter EMP GenII OP	-	-	-	-
929001922602	MASTER LEDtube 1200mm HO 12.5W 830 T8	50 至 60 Hz	220-240 V	12.5 W	0.5 s
929001922702	MASTER LEDtube 1200mm HO 12.5W 840 T8	50 至 60 Hz	220-240 V	12.5 W	0.5 s
929001922802	MASTER LEDtube 1200mm HO 12.5W 865 T8	50 至 60 Hz	220-240 V	12.5 W	0.5 s
929001922902	MASTER LEDtube 1500mm HO 18.2W 830 T8	50 至 60 Hz	220-240 V	18.2 W	0.5 s
929001923002	MASTER LEDtube 1500mm HO 18.2W 840 T8	50 至 60 Hz	220-240 V	18.2 W	0.5 s

Order Code	Full Product Name	输入频率	电压 (标称)	功率 (额定)(标称)	启动时间 (标称)
929001923102	MASTER LEDtube 1500mm HO 18.2W 865 T8	50 至 60 Hz	220-240 V	18.2 W	0.5 s
929001961102	MASTER LEDtube 1050mm 16W 840 T8	50 至 60 Hz	220-240 V	16 W	0.5 s
929002998202	MASTER LEDtube 1200mm UO 14.7W 830 T8	50 至 60 Hz	220-240 V	14.7 W	0.5 s
929002998302	MASTER LEDtube 1200mm UO 14.7W 840 T8	50 至 60 Hz	220-240 V	14.7 W	0.5 s
929002998402	MASTER LEDtube 1200mm UO 14.7W 865 T8	50 至 60 Hz	220-240 V	14.7 W	0.5 s
929002998502	MASTER LEDtube 1500mm UO 21.7W 830 T8	50 至 60 Hz	220-240 V	21.7 W	0.5 s
929002998602	MASTER LEDtube 1500mm UO 21.7W 840 T8	50 至 60 Hz	220-240 V	21.7 W	0.5 s
929002998702	MASTER LEDtube 1500mm UO 21.7W 865 T8	50 至 60 Hz	220-240 V	21.7 W	0.5 s

基本信息

Order Code	Full Product Name	底座	标称寿命 (标称)	切换循环
929001297608	MASTER LEDtube STD 1200mm 10.5W840 T8 I	G13	50000 h	200000X
929001297708	MASTER LEDtube STD 1200mm 10.5W865 T8 I	G13	50000 h	200000X
929001298402	MASTER LEDtube 900mm HO 12W 840 T8	G13 ROT (Rotating)	70000 h	200000X
929001298502	MASTER LEDtube 900mm HO 12W 865 T8	G13 ROT (Rotating)	70000 h	200000X
929001299208	MASTER LEDtube 1200mm HO 14W830 T8	G13	50000 h	200000X
929001299308	MASTER LEDtube 1200mm HO 14W840 T8	G13	50000 h	200000X
929001299408	MASTER LEDtube 1200mm HO 14W865 T8	G13	50000 h	200000X
929001801432	MASTER LEDtube Starter EMP GenII OP	-	-	-
929001922602	MASTER LEDtube 1200mm HO 12.5W 830 T8	G13 ROT (Rotating)	70000 h	200000X

Order Code	Full Product Name	底座	标称寿命 (标称)	切换循环
929001922702	MASTER LEDtube 1200mm HO 12.5W 840 T8	G13 ROT (Rotating)	70000 h	200000X
929001922802	MASTER LEDtube 1200mm HO 12.5W 865 T8	G13 ROT (Rotating)	70000 h	200000X
929001922902	MASTER LEDtube 1500mm HO 18.2W 830 T8	G13 ROT (Rotating)	70000 h	200000X
929001923002	MASTER LEDtube 1500mm HO 18.2W 840 T8	G13 ROT (Rotating)	70000 h	200000X
929001923102	MASTER LEDtube 1500mm HO 18.2W 865 T8	G13 ROT (Rotating)	70000 h	200000X
929001961102	MASTER LEDtube 1050mm 16W 840 T8	G13 ROT (Rotating)	70000 h	200000X
929002998202	MASTER LEDtube 1200mm UO 14.7W 830 T8	G13 ROT (Rotating)	70000 h	200000X
929002998302	MASTER LEDtube 1200mm UO 14.7W 840 T8	G13 ROT (Rotating)	70000 h	200000X
929002998402	MASTER LEDtube 1200mm UO 14.7W 865 T8	G13 ROT (Rotating)	70000 h	200000X

MASTER LEDtube GA 灯管

Order Code	Full Product Name	底盖	标称寿命 (标称)	切换循环
929002998502	MASTER LEDtube 1500mm UO 21.7W 830 T8	G13 ROT (Rotating)	70000 h	200000X
929002998602	MASTER LEDtube 1500mm UO 21.7W 840 T8	G13 ROT (Rotating)	70000 h	200000X

Order Code	Full Product Name	底盖	标称寿命 (标称)	切换循环
929002998702	MASTER LEDtube 1500mm UO 21.7W 865 T8	G13 ROT (Rotating)	70000 h	200000X

照明科技

Order Code	Full Product Name	光束角度 (标称)	颜色代码	相关色温 (标称)	显色指数 (标称)	标称使用寿命结束时灯的光通维持率 (标称)	光通量 (标称)
929001297608	MASTER LEDtube STD 1200mm 10.5W840 T8 I	160 °	840	4000 K	83	70 %	1600 lm
929001297708	MASTER LEDtube STD 1200mm 10.5W865 T8 I	160 °	865	6500 K	83	70 %	1600 lm
929001298402	MASTER LEDtube 900mm HO 12W 840 T8	160 °	840	4000 K	80	70 %	1575 lm
929001298502	MASTER LEDtube 900mm HO 12W 865 T8	160 °	865	6500 K	80	70 %	1575 lm
929001299208	MASTER LEDtube 1200mm HO 14W830 T8	160 °	830	3000 K	83	70 %	2000 lm
929001299308	MASTER LEDtube 1200mm HO 14W840 T8	160 °	840	4000 K	83	70 %	2100 lm
929001299408	MASTER LEDtube 1200mm HO 14W865 T8	160 °	865	6500 K	83	70 %	2100 lm
929001801432	MASTER LEDtube Starter EMP GenII OP	-	-	-	-	-	-
929001922602	MASTER LEDtube 1200mm HO 12.5W 830 T8	160 °	830	3000 K	80	70 %	2000 lm
929001922702	MASTER LEDtube 1200mm HO 12.5W 840 T8	160 °	840	4000 K	80	70 %	2100 lm
929001922802	MASTER LEDtube 1200mm HO 12.5W 865 T8	160 °	865	6500 K	80	70 %	2100 lm
929001922902	MASTER LEDtube 1500mm HO 18.2W 830 T8	160 °	830	3000 K	80	70 %	2900 lm
929001923002	MASTER LEDtube 1500mm HO 18.2W 840 T8	160 °	840	4000 K	80	70 %	3100 lm
929001923102	MASTER LEDtube 1500mm HO 18.2W 865 T8	160 °	865	6500 K	80	70 %	3100 lm
929001961102	MASTER LEDtube 1050mm 16W 840 T8	160 °	840	4000 K	80	70 %	2500 lm
929002998202	MASTER LEDtube 1200mm UO 14.7W 830 T8	160 °	830	3000 K	80	70 %	2300 lm
929002998302	MASTER LEDtube 1200mm UO 14.7W 840 T8	160 °	840	4000 K	80	70 %	2500 lm
929002998402	MASTER LEDtube 1200mm UO 14.7W 865 T8	160 °	865	6500 K	80	70 %	2500 lm
929002998502	MASTER LEDtube 1500mm UO 21.7W 830 T8	160 °	830	3000 K	80	70 %	3400 lm
929002998602	MASTER LEDtube 1500mm UO 21.7W 840 T8	160 °	840	4000 K	80	70 %	3700 lm
929002998702	MASTER LEDtube 1500mm UO 21.7W 865 T8	160 °	865	6500 K	80	70 %	3700 lm

机械和壳体

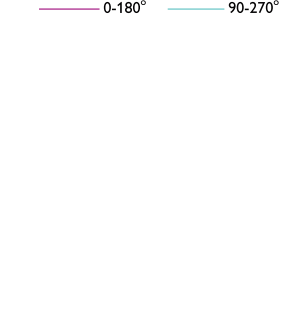
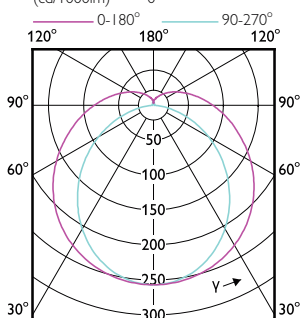
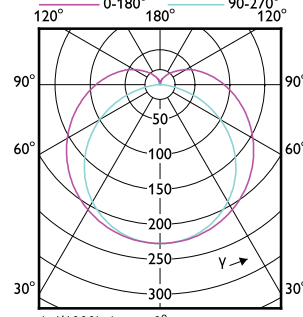
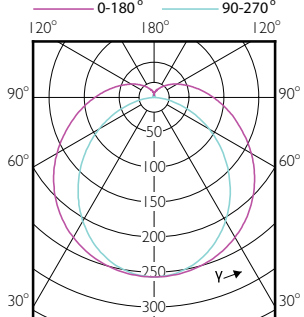
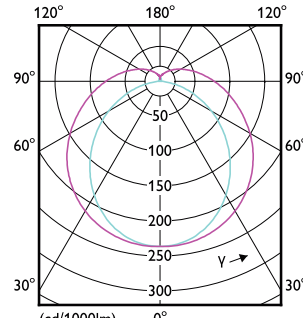
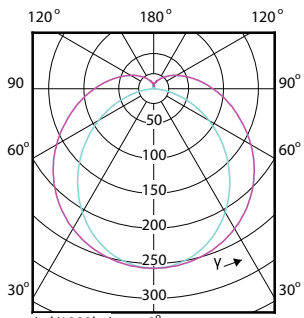
Order Code	Full Product Name	灯泡外观	灯泡外形	Order Code	Full Product Name	灯泡外观	灯泡外形
929001297608	MASTER LEDtube STD 1200mm 10.5W840 T8 I	-	管, 双端	929001922902	MASTER LEDtube 1500mm HO 18.2W 830 T8	磨砂	管, 双端
929001297708	MASTER LEDtube STD 1200mm 10.5W865 T8 I	-	管, 双端	929001923002	MASTER LEDtube 1500mm HO 18.2W 840 T8	磨砂	管, 双端
929001298402	MASTER LEDtube 900mm HO 12W 840 T8	磨砂	管, 双端	929001923102	MASTER LEDtube 1500mm HO 18.2W 865 T8	磨砂	管, 双端
929001298502	MASTER LEDtube 900mm HO 12W 865 T8	磨砂	管, 双端	929001961102	MASTER LEDtube 1050mm 16W 840 T8	磨砂	管, 双端
929001299208	MASTER LEDtube 1200mm HO 14W830 T8	-	管, 双端	929002998202	MASTER LEDtube 1200mm UO 14.7W 830 T8	磨砂	管, 双端
929001299308	MASTER LEDtube 1200mm HO 14W840 T8	-	管, 双端	929002998302	MASTER LEDtube 1200mm UO 14.7W 840 T8	磨砂	管, 双端
929001299408	MASTER LEDtube 1200mm HO 14W865 T8	-	管, 双端	929002998402	MASTER LEDtube 1200mm UO 14.7W 865 T8	磨砂	管, 双端
929001801432	MASTER LEDtube Starter EMP GenII OP	-	-	929002998502	MASTER LEDtube 1500mm UO 21.7W 830 T8	磨砂	管, 双端
929001922602	MASTER LEDtube 1200mm HO 12.5W 830 T8	磨砂	管, 双端	929002998602	MASTER LEDtube 1500mm UO 21.7W 840 T8	磨砂	管, 双端
929001922702	MASTER LEDtube 1200mm HO 12.5W 840 T8	磨砂	管, 双端	929002998702	MASTER LEDtube 1500mm UO 21.7W 865 T8	磨砂	管, 双端
929001922802	MASTER LEDtube 1200mm HO 12.5W 865 T8	磨砂	管, 双端				

温度

Order Code	Full Product Name	环境温度 (最高)	环境温度 (最低)	最大外壳温度 (标称)	存放温度 (最高)	存放温度 (最低)
929001297608	MASTER LEDtube STD 1200mm 10.5W840 T8 I	45 °C	-20 °C	50 °C	65 °C	-40 °C
929001297708	MASTER LEDtube STD 1200mm 10.5W865 T8 I	45 °C	-20 °C	50 °C	65 °C	-40 °C

MASTER LEDtube GA 灯管

Order Code	Full Product Name	环境温度 (最高)	环境温度 (最低)	最大外壳温度 (标称)	存放温度 (最高)	存放温度 (最低)
929001298402	MASTER LEDtube 900mm HO 12W 840 T8	45 °C	-20 °C	50 °C	65 °C	-40 °C
929001298502	MASTER LEDtube 900mm HO 12W 865 T8	45 °C	-20 °C	50 °C	65 °C	-40 °C
929001299208	MASTER LEDtube 1200mm HO 14W830 T8	45 °C	-20 °C	55 °C	65 °C	-40 °C
929001299308	MASTER LEDtube 1200mm HO 14W840 T8	45 °C	-20 °C	55 °C	65 °C	-40 °C
929001299408	MASTER LEDtube 1200mm HO 14W865 T8	45 °C	-20 °C	55 °C	65 °C	-40 °C
929001801432	MASTER LEDtube Starter EMP GenII OP	-	-	-	-	-
929001922602	MASTER LEDtube 1200mm HO 12.5W 830 T8	45 °C	-20 °C	50 °C	65 °C	-40 °C
929001922702	MASTER LEDtube 1200mm HO 12.5W 840 T8	45 °C	-20 °C	50 °C	65 °C	-40 °C
929001922802	MASTER LEDtube 1200mm HO 12.5W 865 T8	45 °C	-20 °C	50 °C	65 °C	-40 °C
929001922902	MASTER LEDtube 1500mm HO 18.2W 830 T8	45 °C	-20 °C	55 °C	65 °C	-40 °C
929001923002	MASTER LEDtube 1500mm HO 18.2W 840 T8	45 °C	-20 °C	55 °C	65 °C	-40 °C
929001923102	MASTER LEDtube 1500mm HO 18.2W 865 T8	45 °C	-20 °C	55 °C	65 °C	-40 °C
929001961102	MASTER LEDtube 1050mm 16W 840 T8	45 °C	-20 °C	55 °C	65 °C	-40 °C
929002998202	MASTER LEDtube 1200mm UO 14.7W 830 T8	45 °C	-20 °C	55 °C	65 °C	-40 °C
929002998302	MASTER LEDtube 1200mm UO 14.7W 840 T8	45 °C	-20 °C	55 °C	65 °C	-40 °C
929002998402	MASTER LEDtube 1200mm UO 14.7W 865 T8	45 °C	-20 °C	55 °C	65 °C	-40 °C
929002998502	MASTER LEDtube 1500mm UO 21.7W 830 T8	45 °C	-20 °C	60 °C	65 °C	-40 °C
929002998602	MASTER LEDtube 1500mm UO 21.7W 840 T8	45 °C	-20 °C	60 °C	65 °C	-40 °C
929002998702	MASTER LEDtube 1500mm UO 21.7W 865 T8	45 °C	-20 °C	60 °C	65 °C	-40 °C



MASTER LEDtube GA 灯管

