



# MASTER LEDspot LV – The ideal solution for spot lighting

## MASTER LEDspot LV

Delivering a warm, halogen-like accent beam, MASTER LEDspot LV is an ideal retrofit solution for spot and general lighting applications in the hospitality industry. It is particularly suited to public areas such as receptions, lobbies, corridors, stairwells and washrooms, where the light is on all the time. The robustly designed MASTER LEDspot offers a choice of beam angles for a clearly defined beam spread. There is no UV or IR in the beam, making it suitable for illuminating heat-sensitive objects (food, organic materials, paintings, etc.). The patented intelligent driver enables broad compatibility with existing electromagnetic and electronic halogen transformers. The dimmable versions drive further efficiencies, while helping to create the desired atmosphere.

### Benefits

- Up to 80% energy saving compared with halogen lamp
- Broad compatibility with transformers
- Suitable to retrofit with low-voltage halogen lamps covering GU5.3 and GU4 base types

### Features

- Dimmable (6.5–35W versions)
- Innovative AirFlux technology for passive cooling, depending upon model
- Warm and cool white light
- Lifetime:
  - 40,000 hours MASTER LED
  - 25,000 hours MASTER LED VALUE
- TransforMax technology to ensure compatibility with existing transformers (depending upon model)

# MASTER LEDspot LV

## Application

- Ideal for accent lighting in hotels, hospitals, shops and museums (e.g. floors, elevators, displays)

## Warnings and Safety

- Operating temperature range is between -20° C and 45° C ambient
- Only to apply in dry or damp locations and most of open fixtures with lamp-holders that offer sufficient space (10 mm free air space)
- Not intended for use with emergency light fixtures or exit lights

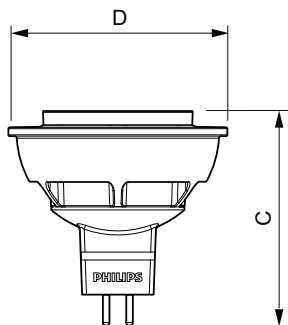
## Versions



## Dimensional drawing

D

Product	D	C
MAS LEDspotLV 3.5-20W 827 MR11 24D	35 mm	40 mm



Product	D	C
MASTER LED 5.5-50W 3000K MR16 24D	50.2 mm	49 mm
MASTER LED 5.5-50W 4000K MR16 36D	50.2 mm	49 mm
MASTER LED 5.5-50W 2700K MR16 24D	50.2 mm	49 mm
MASTER LED 5.5-50W 2700K MR16 36D	50.2 mm	49 mm
MASTER LED 5.5-50W 4000K MR16 24D	50.2 mm	49 mm
MASTER LED 5.5-50W 3000K MR16 36D	50.2 mm	49 mm

# MASTER LEDspot LV

## Operating and Electrical

Voltage (Nom)	12 V
Starting Time (Nom)	0.5 s

## General Information

Switching Cycle	50000X
-----------------	--------

## Light Technical

Colour Rendering Index (Nom)	80
Llmf At End Of Nominal Lifetime (Nom)	70 %

## Approval and Application

Order Code	Full Product Name	Energy Consumption kWh/1000 h	Energy Efficiency Label (EEL)
929001123802	MAS LEDspotLV 3.5-20W 827 MR11 24D	4 kWh	A+
929001145908	MASTER LED 5.5-50W 2700K MR16 24D	-	-
929001146108	MASTER LED 5.5-50W 2700K MR16 36D	-	-
929001146608	MASTER LED 5.5-50W 3000K MR16 36D	-	-

Order Code	Full Product Name	Energy Consumption kWh/1000 h	Energy Efficiency Label (EEL)
929001146708	MASTER LED 5.5-50W 3000K MR16 24D	-	-
929001146808	MASTER LED 5.5-50W 4000K MR16 24D	-	-
929001146908	MASTER LED 5.5-50W 4000K MR16 36D	-	-

## Controls and Dimming

Order Code	Full Product Name	Dimmable
929001123802	MAS LEDspotLV 3.5-20W 827 MR11 24D	no
929001145908	MASTER LED 5.5-50W 2700K MR16 24D	No
929001146108	MASTER LED 5.5-50W 2700K MR16 36D	No
929001146608	MASTER LED 5.5-50W 3000K MR16 36D	No

Order Code	Full Product Name	Dimmable
929001146708	MASTER LED 5.5-50W 3000K MR16 24D	No
929001146808	MASTER LED 5.5-50W 4000K MR16 24D	No
929001146908	MASTER LED 5.5-50W 4000K MR16 36D	No

## Operating and Electrical

Order Code	Full Product Name	Input Frequency	Wattage Equivalent	Power (Rated) (Nom)
929001123802	MAS LEDspotLV 3.5-20W 827 MR11 24D	50 to 60 Hz	20 W	3.5 W
929001145908	MASTER LED 5.5-50W 2700K MR16 24D	-	50 W	5.5 W
929001146108	MASTER LED 5.5-50W 2700K MR16 36D	-	50 W	5.5 W
929001146608	MASTER LED 5.5-50W 3000K MR16 36D	-	50 W	5.5 W

Order Code	Full Product Name	Input Frequency	Wattage Equivalent	Power (Rated) (Nom)
929001146708	MASTER LED 5.5-50W 3000K MR16 24D	-	50 W	5.5 W
929001146808	MASTER LED 5.5-50W 4000K MR16 24D	-	50 W	5.5 W
929001146908	MASTER LED 5.5-50W 4000K MR16 36D	-	50 W	5.5 W

## General Information

# MASTER LEDspot LV

Order Code	Full Product Name	Cap-Base	Nominal Lifetime (Nom)
929001123802	MAS LEDspotLV 3.5-20W 827 MR11 24D	GU4	40000 h
929001145908	MASTER LED 5.5-50W 2700K MR16 24D	GU5.3	25000 h
929001146108	MASTER LED 5.5-50W 2700K MR16 36D	GU5.3	25000 h
929001146608	MASTER LED 5.5-50W 3000K MR16 36D	GU5.3	25000 h

Order Code	Full Product Name	Cap-Base	Nominal Lifetime (Nom)
929001146708	MASTER LED 5.5-50W 3000K MR16 24D	GU5.3	25000 h
929001146808	MASTER LED 5.5-50W 4000K MR16 24D	GU5.3	25000 h
929001146908	MASTER LED 5.5-50W 4000K MR16 36D	GU5.3	25000 h

## Light Technical

Order Code	Full Product Name	Beam Angle (Nom)	Colour Code (Nom)	Correlated Colour Temperature		Luminous Flux (Nom)	Luminous Intensity (Nom)
				Colour Code (Nom)	Correlated Colour Temperature		
929001123802	MAS LEDspotLV 3.5-20W 827 MR11 24D	24°	827	2700 K	2700 K	210 lm	1000 cd
929001145908	MASTER LED 5.5-50W 2700K MR16 24D	24°	827	2700 K	2700 K	415 lm	1800 cd
929001146108	MASTER LED 5.5-50W 2700K MR16 36D	36°	827	2700 K	2700 K	415 lm	1000 cd
929001146608	MASTER LED 5.5-50W 3000K MR16 36D	36°	830	3000 K	3000 K	425 lm	1000 cd
929001146708	MASTER LED 5.5-50W 3000K MR16 24D	24°	830	3000 K	3000 K	425 lm	1800 cd
929001146808	MASTER LED 5.5-50W 4000K MR16 24D	24°	840	4000 K	4000 K	450 lm	1800 cd
929001146908	MASTER LED 5.5-50W 4000K MR16 36D	36°	840	4000 K	4000 K	450 lm	1000 cd

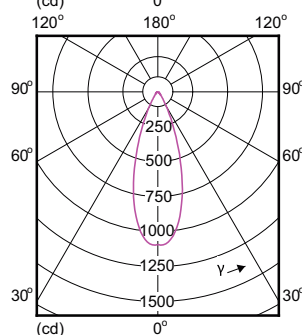
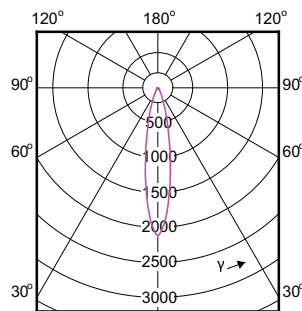
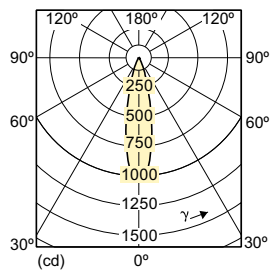
## Mechanical and Housing

Order Code	Full Product Name	Bulb Shape
929001123802	MAS LEDspotLV 3.5-20W 827 MR11 24D	MR11
929001145908	MASTER LED 5.5-50W 2700K MR16 24D	MR16
929001146108	MASTER LED 5.5-50W 2700K MR16 36D	MR16
929001146608	MASTER LED 5.5-50W 3000K MR16 36D	MR16

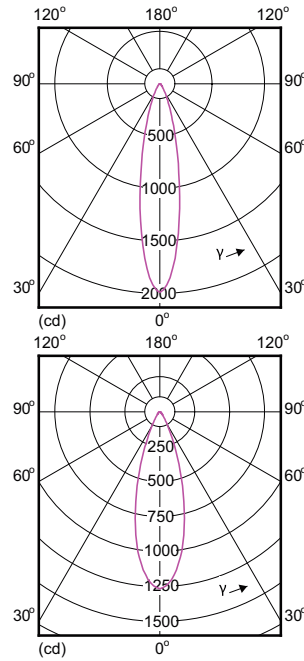
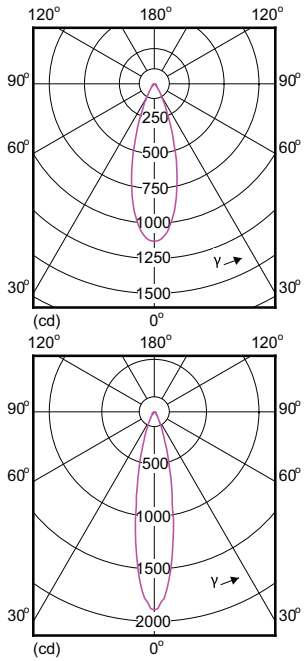
Order Code	Full Product Name	Bulb Shape
929001146708	MASTER LED 5.5-50W 3000K MR16 24D	MR16
929001146808	MASTER LED 5.5-50W 4000K MR16 24D	MR16
929001146908	MASTER LED 5.5-50W 4000K MR16 36D	MR16

## Temperature

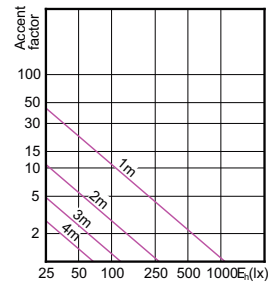
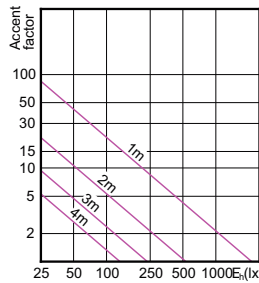
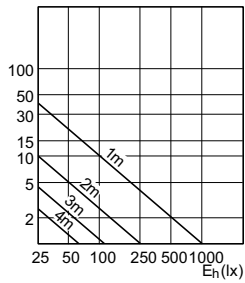
Order Code	Full Product Name	T-Case Maximum (Nom)
929001123802	MAS LEDspotLV 3.5-20W 827 MR11 24D	94 °C
929001145908	MASTER LED 5.5-50W 2700K MR16 24D	95 °C
929001146108	MASTER LED 5.5-50W 2700K MR16 36D	95 °C
929001146608	MASTER LED 5.5-50W 3000K MR16 36D	95 °C
929001146708	MASTER LED 5.5-50W 3000K MR16 24D	95 °C
929001146808	MASTER LED 5.5-50W 4000K MR16 24D	95 °C
929001146908	MASTER LED 5.5-50W 4000K MR16 36D	95 °C



# MASTER LEDspot LV

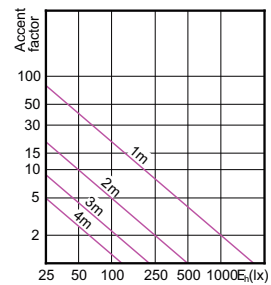
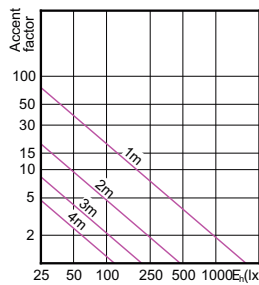
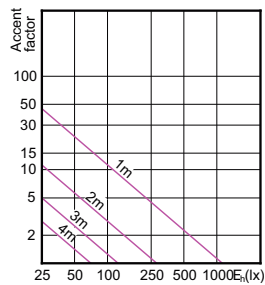


## Accent Diagrams



**MASTER LED 5.5-50W MR16 GU5.3 2700K  
415lm 24D**

**MASTER LED 5.5-50W MR16 GU5.3 2700K  
415lm 36D**



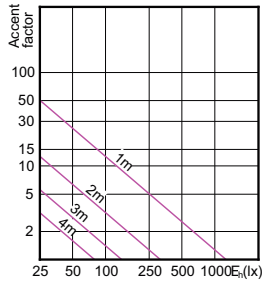
**MASTER LED 5.5-50W MR16 GU5.3 3000K  
425lm 36D**

**MASTER LED 5.5-50W MR16 GU5.3 3000K  
425lm 24D**

**MASTER LED 5.5-50W MR16 GU5.3 4000K  
450lm 24D**

# MASTER LEDspot LV

## Accent Diagrams

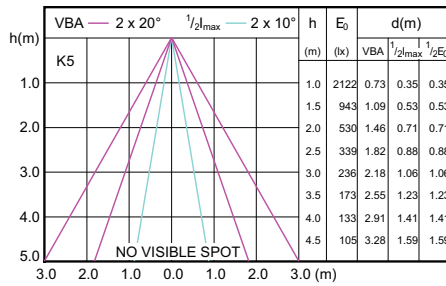


**MASTER LED 5.5-50W MR16 GU5.3 4000K**  
450lm 36D

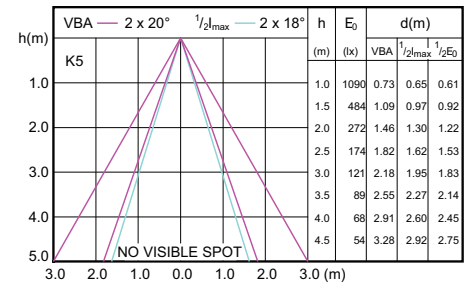
## Beam Diagrams



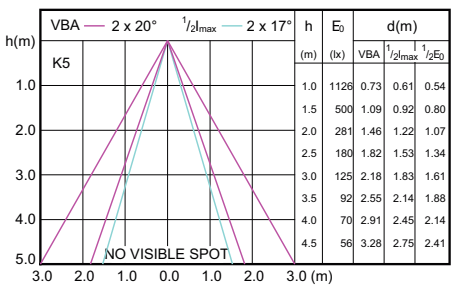
**SDBE\_LEDspotL\_0101-Beam diagram**



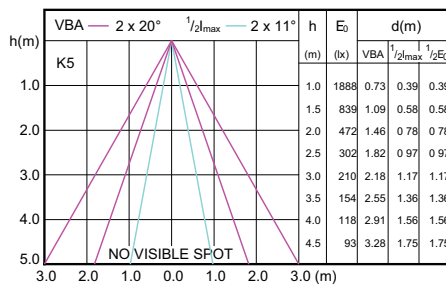
**MASTER LED 5.5-50W MR16 GU5.3 2700K**  
415lm 24D



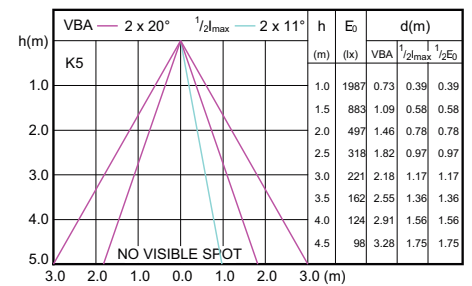
**MASTER LED 5.5-50W MR16 GU5.3 2700K**  
415lm 36D



**MASTER LED 5.5-50W MR16 GU5.3 3000K**  
425lm 36D



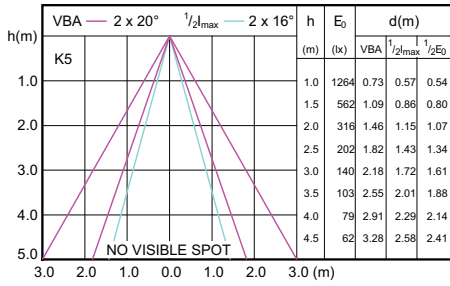
**MASTER LED 5.5-50W MR16 GU5.3 3000K**  
425lm 24D



**MASTER LED 5.5-50W MR16 GU5.3 4000K**  
450lm 24D

# MASTER LEDspot LV

## Beam Diagrams



**MASTER LED 5.5-50W MR16 GU5.3 4000K**  
450lm 36D

