



A new generation for Linear LED T8 lighting.

LED InstantFit Lamps

Philips LED T8 InstantFit Lamps are an ideal energy saving choice for existing linear fluorescent fixtures.

优点

- Over 41% energy savings vs F32T8 electronic instant start systems (2)
- No mercury allowing for non-hazardous waste disposal.
- Emits virtually no UV rays or IR
- Glass-free for safer working conditions
- 5 year limited warranty (3)
- (2) Lamp F32T8 Electronic Instant Start System with 0.88 Ballast Factor= 58 SystemWatts (2) Philips LED T8 InstantFit = 34 SystemWatts 58 - 34 = 24 SystemWatts Saved 24 / 58 = 41.4% Energy Saved
- (3) See warranty for terms and conditions.

特点

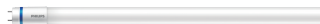
- Instant on, no flicker or buzz
- Fits into existing linear fixtures
- Compatible with Instant Start ballasts (1) eliminating the need for rewiring and allows fixture to maintain original UL compliance.
- (1) Must follow guidelines for installation from Philips Quick Installation Guide included with lamp shipment.

应用

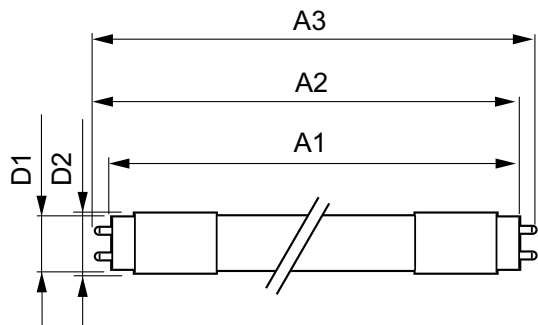
- Full light output in spaces with temperatures down to -22°F (-30°C)
- Perfect for applications with frequent "on/off" switching cycles
- Buildings that desire to be mercury free

LED InstantFit Lamps

Versions



二维绘图



Product	D1	D2	A1	A2	A3
12T8/48-3000 IF 10/1	25.68 mm	28 mm	1198.0 mm	1205.0 mm	1212.0 mm
12T8/48-5000 IF 10/1	25.68 mm	28 mm	1198.0 mm	1205.0 mm	1212.0 mm
12T8/48-4000 IF 10/1	25.68 mm	28 mm	1198.0 mm	1205.0 mm	1212.0 mm

LED InstantFit Lamps

應用

能源消耗 kWh/1000 h	14.5 kWh
-----------------	----------

控制調光

可調光	No
-----	----

運作和電氣

輸入頻率	50 至 60 Hz
電壓 (標稱)	120-277 V
功率 (額定)(標稱)	12 W
起始時間 (標稱)	0.5 s

基本資訊

接口	G13
正常使用壽命 (標稱)	50000 h
額定壽命 (小時)	50000 h
切換週期	50000X

照明科技

正常使用壽命結束時的燈具流明維持係數 (標稱)	70 %
-------------------------	------

溫度

T 環境 (最大)	45 °C
T 環境 (最小)	-20 °C
T 儲存 (最大)	65 °C
T 儲存 (最小)	-40 °C

應用

Order Code	Full Product Name	能源效益標準 (EEL)
929001123904	12T8/48-3000 IF 10/1	A+
929001124104	12T8/48-4000 IF 10/1	-
929001124204	12T8/48-5000 IF 10/1	-

照明科技 (1/2)

Order Code	Full Product Name	光束角 (Nom)	色碼	相關色溫 (標稱)	顯色指數 (Nom)
929001123904	12T8/48-3000 IF 10/1	-	830	3000 K	83
929001124104	12T8/48-4000 IF 10/1	160 °	840	4000 K	82

Order Code	Full Product Name	光束角 (Nom)	色碼	相關色溫 (標稱)	顯色指數 (Nom)
929001124204	12T8/48-5000 IF 10/1	160 °	850	5000 K	82

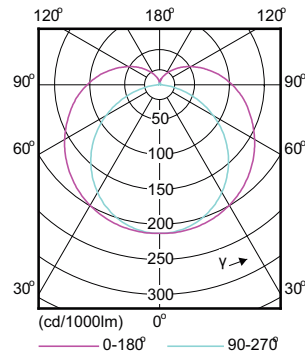
照明科技 (2/2)

Order Code	Full Product Name	光通量 (標稱)	光通量 (額定)(標稱)	額定光束角
929001123904	12T8/48-3000 IF 10/1	1500 lm	1500 lm	-
929001124104	12T8/48-4000 IF 10/1	1600 lm	1600 lm	160 °

Order Code	Full Product Name	光通量 (標稱)	光通量 (額定)(標稱)	額定光束角
929001124204	12T8/48-5000 IF 10/1	1650 lm	1650 lm	160 °

溫度

Order Code	Full Product Name	T 盒上限 (標稱)
929001123904	12T8/48-3000 IF 10/1	50 °C
929001124104	12T8/48-4000 IF 10/1	40 °C
929001124204	12T8/48-5000 IF 10/1	40 °C



LED InstantFit Lamps

