



Product Description

TUV T5

TUV T5 lamps are single- or double-ended UVC (germicidal) lamps used in professional water and air disinfection units. The small 16 mm diameter of the lamp allows for a small system design and design flexibility. TUV T5 lamps offer constant UV output over their complete lifetime, for maximum security of disinfection and high system efficacy.

Benefits

- Security of effective disinfection over the complete lifetime of the lamp
- High system efficacy because it is not required to over-design the purification system to maintain effectiveness of disinfection

Features

- Short-wave UV radiation with a peak at 253.7 nm (UVC) for disinfection
- Small diameter
- Protective inside coating ensures constant UV output over the complete lifetime of the lamp
- Lamp glass filters out the 185 nm ozone-forming line
- High temperature and UV-resistant lamp bases
- High Output versions available for optimum UVC output per lamp length, allowing for further reduction of system size
- Warning sign on lamp indicates that the lamp radiates UVC

Application

- Deactivation of bacteria, viruses and other micro-organisms
- Air treatment systems
- Industrial water disinfection equipment, e.g. for food & beverage industry
- Small municipal water treatment systems
- Swimming pool units
- Residential drinking water units

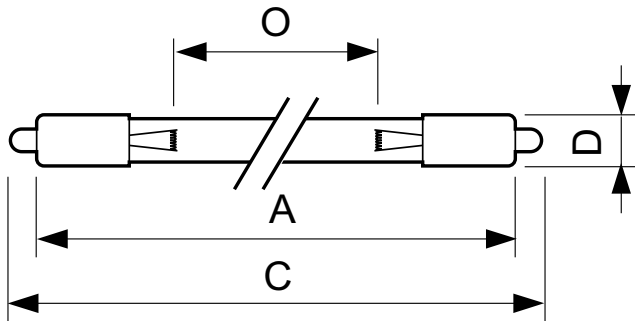
Warnings and Safety

- A lamp breaking is extremely unlikely to have any impact on your health. If a lamp breaks, ventilate the room for 30 minutes and remove the parts, preferably with gloves. Put them in a sealed plastic bag and take it to your local waste facilities for recycling. Do not use a vacuum cleaner.
- DANGER: Risk Group 3 Ultra Violet product. These lamps emit high-power UV radiation that can cause severe injury to skin and eyes. Avoid eye and skin exposure to unshielded product. Use only in an enclosed environment which shields users from the radiation.

Versions



Dimensional drawing



Product

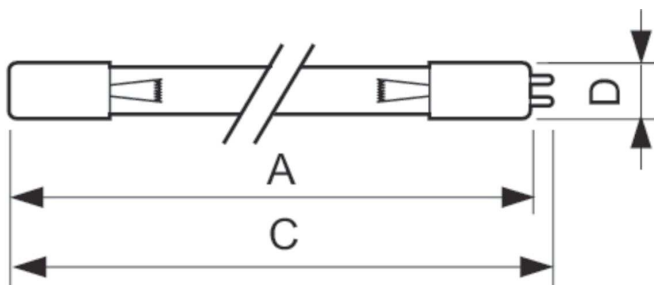
TUV 64T5 HE SP UNP/32

Product

TUV 64T5 HO 4P SE UNP/32

TUV 36T5 HE 4P SE UNP/32

TUV 36T5 HO 4P SE UNP/32



General Information	
Useful Life (Nom)	9000 h
Main Application	Disinfection
Light Technical	
Colour Code	TUV
Colour Designation	-
Lumen Depreciation At Useful Lifetime	15 %
Mechanical and Housing	
Bulb Shape	T16

Approval and Application

Order Code	Full Product Name	Mercury (Hg) Content (Nom)
64231899	TUV 36T5 HE 4P SE UNP/32	3.0 mg
26131199	TUV 64T5 HO 4P SE UNP/32	5.5 mg

Order Code	Full Product Name	Mercury (Hg) Content (Nom)
86970899	TUV 36T5 HO 4P SE UNP/32	5.5 mg
64079699	TUV 64T5 HE SP UNP/32	3.0 mg

Operating and Electrical

Order Code	Full Product Name	Lamp Current (Nom)	Voltage (Nom)	Power (Rated) (Nom)
64231899	TUV 36T5 HE 4P SE UNP/32	0.425 A	94 V	40 W
26131199	TUV 64T5 HO 4P SE UNP/32	0.8 A	175 V	145 W

Order Code	Full Product Name	Lamp Current (Nom)	Voltage (Nom)	Power (Rated) (Nom)
86970899	TUV 36T5 HO 4P SE UNP/32	0.8 A	97 V	75 W
64079699	TUV 64T5 HE SP UNP/32	0.425 A	176 V	75 W

General Information

Order Code	Full Product Name	Cap-Base	System Description
64231899	TUV 36T5 HE 4P SE UNP/32	4PINSSINGLEENDED	High Efficiency
26131199	TUV 64T5 HO 4P SE UNP/32	4PINSSINGLEENDED	High Output (HO)

Order Code	Full Product Name	Cap-Base	System Description
86970899	TUV 36T5 HO 4P SE UNP/32	4PINSSINGLEENDED	High Output (HO)
64079699	TUV 64T5 HE SP UNP/32	SINGLEPIN	High Efficiency

UV

Order Code	Full Product Name	UV-C Radiation
64231899	TUV 36T5 HE 4P SE UNP/32	15 W
26131199	TUV 64T5 HO 4P SE UNP/32	48 W

Order Code	Full Product Name	UV-C Radiation
86970899	TUV 36T5 HO 4P SE UNP/32	25 W
64079699	TUV 64T5 HE SP UNP/32	31 W

