



Product Description

TUV T5

TUV T5 lamps are single- or double-ended UVC (germicidal) lamps used in professional water and air disinfection units. The small 16 mm diameter of the lamp allows for a small system design and design flexibility. TUV T5 lamps offer constant UV output over their complete lifetime, for maximum security of disinfection and high system efficacy.

Benefits

- Security of effective disinfection over the useful lifetime of the lamp
- Security of effective disinfection over the complete lifetime of the lamp
- High system efficacy because it is not required to over-design the purification system to maintain effectiveness of disinfection
- High system efficacy because it is not required to over-design the purification system to maintain effectiveness of disinfection
- Good environmental choice because of lowest amount of mercury

Features

- Short-wave UV radiation with a peak at 253.7 nm (UVC) for disinfection
- Short-wave UV radiation with a peak at 253.7 nm (UVC) for disinfection
- Small diameter
- Small diameter
- Protective inside coating ensures almost constant UV output over the complete lifetime of the lamp
- Protective inside coating ensures constant UV output over the complete lifetime of the lamp
- Lamp glass filters out the 185 nm ozone-forming radiation
- Lamp glass filters out the 185 nm ozone-forming line
- High temperature and UV-resistant lamp bases
- High temperature and UV-resistant lamp bases
- High Output versions available for optimum UVC output per lamp length, allowing for further reduction of system size
- High Output versions available for optimum UVC output per lamp length, allowing for further reduction of system size
- Warning sign on lamp indicates that the lamp radiates UVC
- Warning sign on lamp indicates that the lamp radiates UVC

Application

- Deactivation of bacteria, viruses and other micro-organisms
- Deactivation of bacteria, viruses and other micro-organisms
- Air treatment systems
- Air treatment systems
- Industrial water disinfection equipment, e.g. for food & beverage industry
- Industrial water disinfection equipment, e.g. for food & beverage industry
- Small municipal water treatment systems
- Small municipal water treatment systems
- Swimming pool units
- Swimming pool units
- Residential drinking water units
- Residential drinking water units

Warnings and Safety

- A lamp breaking is extremely unlikely to have any impact on your health. If a lamp breaks, ventilate the room for 30 minutes and remove the parts, preferably with gloves. Put them in a sealed plastic bag and take it to your local waste facilities for recycling. Do not use a vacuum cleaner.
- A lamp breaking is extremely unlikely to have any impact on your health. If a lamp breaks, ventilate the room for 30 minutes and remove the parts, preferably with gloves. Put them in a sealed plastic bag and take it to your local waste facilities for recycling. Do not use a vacuum cleaner.
- DANGER: Risk Group 3 Ultra Violet product. These lamps emit high-power UV radiation that can cause severe injury to skin and eyes. Avoid eye and skin exposure to unshielded product. Use only in an enclosed environment which shields users from the radiation.
- DANGER: Risk Group 3 Ultra Violet product. These lamps emit high-power UV radiation that can cause severe injury to skin and eyes. Avoid eye and skin exposure to unshielded product. Use only in an enclosed environment which shields users from the radiation.

TUV T5

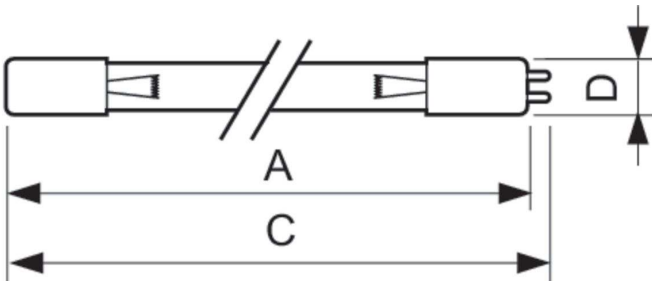
Versions



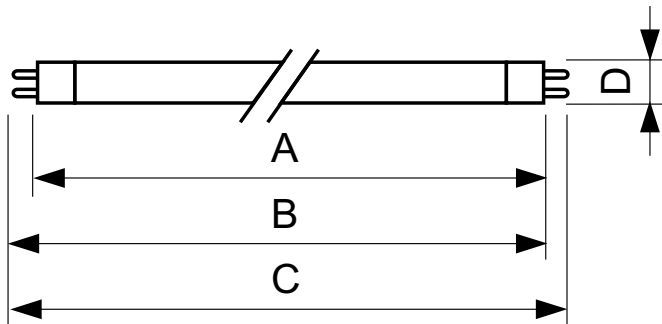
XPPR XUTUV 0003

XPPR XUTUV 0004

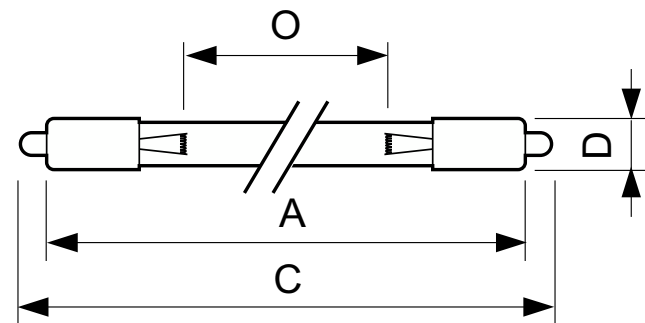
Dimensional drawing



Product	D (max)	C (max)	A (max)
TUV 36T5 HE 4P SE UNP/32	19.3 mm	853 mm	845.4 mm
TUV 36T5 HO 4P SE UNP/32	19.3 mm	853 mm	845.4 mm
TUV 64T5 HE 4P SE UNP/32	19.3 mm	1,564.5 mm	1,556.6 mm
TUV 64T5 HO 4P SE UNP/32	19.3 mm	1,564.5 mm	1,555.2 mm



Product	D	C
TUV 36T5 HO G5 UNP 40	16 mm	827.6 mm



Product	D (max)	O	C (max)	A (max)
TUV 36T5 SP NO/32	18.6 mm	762 mm	863.9 mm	845.4 mm

Light Technical

Color Designation -

Mechanical and Housing

Bulb Shape T16

General Information

Order Code	Full Product Name	Cap-Base
927970204099	TUV 36T5 HE 4P SE UNP/32	4PINSSINGLEENDED
927970704099	TUV 64T5 HE 4P SE UNP/32	4PINSSINGLEENDED
927971104099	TUV 64T5 HO 4P SE UNP/32	4PINSSINGLEENDED

Order Code	Full Product Name	Cap-Base
927972104099	TUV 36T5 HO 4P SE UNP/32	4PINSSINGLEENDED
928002404014	TUV 36T5 HO G5 UNP 40	G5
927970004099	TUV 36T5 SP NO/32	SINGLEPIN

Light Technical

Order Code	Full Product Name	Color Code
927970204099	TUV 36T5 HE 4P SE UNP/32	TUV
927970704099	TUV 64T5 HE 4P SE UNP/32	-
927971104099	TUV 64T5 HO 4P SE UNP/32	TUV

Order Code	Full Product Name	Color Code
927972104099	TUV 36T5 HO 4P SE UNP/32	TUV
928002404014	TUV 36T5 HO G5 UNP 40	TUV
927970004099	TUV 36T5 SP NO/32	TUV

Operating and Electrical

Order Code	Full Product Name	Lamp		
		Current (Nom)	Voltage (Nom)	Power Consumption
927970204099	TUV 36T5 HE 4P SE UNP/32	0.425 A	97 V	40 W
927970704099	TUV 64T5 HE 4P SE UNP/32	0.425 A	176 V	75 W
927971104099	TUV 64T5 HO 4P SE UNP/32	0.8 A	175 V	140 W

Order Code	Full Product Name	Lamp		
		Current (Nom)	Voltage (Nom)	Power Consumption
927972104099	TUV 36T5 HO 4P SE UNP/32	0.8 A	97 V	75 W
928002404014	TUV 36T5 HO G5 UNP 40	0.8 A	184 V	75 W
927970004099	TUV 36T5 SP NO/32	0.425 A	97 V	40 W

Approval and Application

Order Code	Full Product Name	Mercury (Hg) Content (Nom)
927970204099	TUV 36T5 HE 4P SE UNP/32	3.0 mg
927970704099	TUV 64T5 HE 4P SE UNP/32	-
927971104099	TUV 64T5 HO 4P SE UNP/32	5.5 mg

Order Code	Full Product Name	Mercury (Hg) Content (Nom)
927972104099	TUV 36T5 HO 4P SE UNP/32	5.5 mg
928002404014	TUV 36T5 HO G5 UNP 40	5.5 mg
927970004099	TUV 36T5 SP NO/32	3.0 mg

