



# TUV T5 - Small diameter lamps for professional applications

## TUV T5

TUV T5 lamps are single- or double-ended UVC (germicidal) lamps used in professional water and air disinfection units. The small 16 mm diameter of the lamp allows for a small system design and design flexibility. TUV T5 lamps offer constant UV output over their complete lifetime, for maximum security of disinfection and high system efficacy.

### Benefits

- Security of effective disinfection over the useful lifetime of the lamp
- High system efficacy because it is not required to over-design the purification system to maintain effectiveness of disinfection
- Good environmental choice because of lowest amount of mercury.

### Features

- Short-wave UV radiation with a peak at 253.7 nm (UVC) for disinfection
- Small diameter
- Protective inside coating ensures almost constant UV output over the complete lifetime of the lamp.
- Lamp glass filters out the 185 nm ozone-forming radiation
- High temperature and UV-resistant lamp bases
- High Output versions available for optimum UVC output per lamp length, allowing for further reduction of system size
- Warning sign on lamp indicates that the lamp radiates UVC

## Application

- Deactivation of bacteria, viruses and other micro-organisms
- Air treatment systems
- Industrial water disinfection equipment, e.g. for food & beverage industry
- Small municipal water treatment systems
- Swimming pool units
- Residential drinking water units

## Warnings and Safety

- A lamp breaking is extremely unlikely to have any impact on your health. If a lamp breaks, ventilate the room for 30 minutes and remove the parts, preferably with gloves. Put them in a sealed plastic bag and take it to your local waste facilities for recycling. Do not use a vacuum cleaner.
- DANGER: Risk Group 3 Ultra Violet product. These lamps emit high-power UV radiation that can cause severe injury to skin and eyes. Avoid eye and skin exposure to unshielded product. Use only in an enclosed environment which shields users from the radiation.
- Plants and/or materials that are exposed to UV-C and/or ozone for a long time may become damaged and/or discolored.

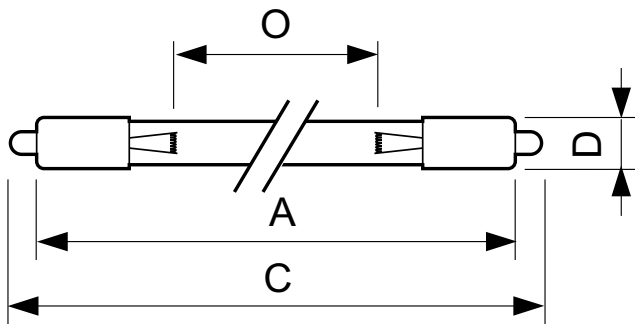
## Versions



single pin

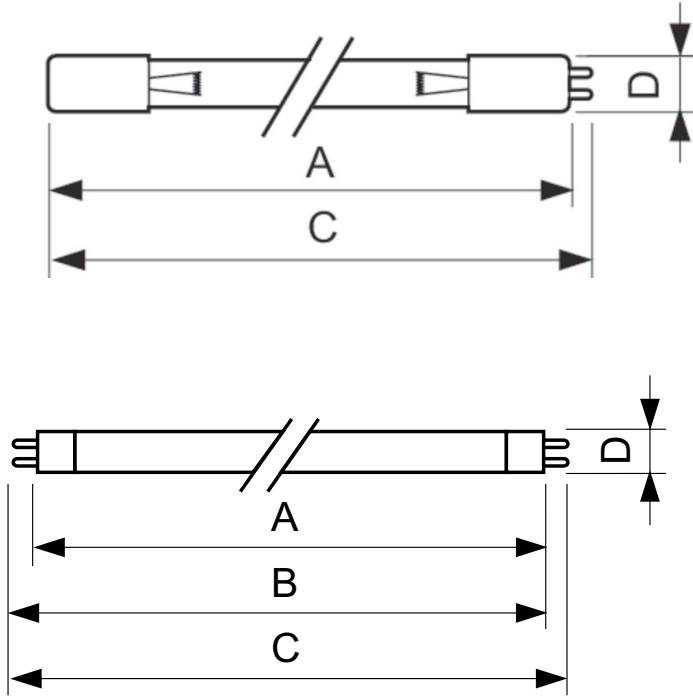
4 pins single ended

## Dimensional drawing



Product	D (max)	O	C (max)	A (max)
TUV 64T5 HE SP UNP/32	18.6 mm	1473 mm	1575.1 mm	1556.6 mm
TUV 36T5 SP NO/32	18.6 mm	762 mm	863.9 mm	845.4 mm

Dimensional drawing



Product	D (max)	C (max)	A (max)
TUV 64T5 HO 4P SE UNP/32	19.3 mm	1564.5 mm	1555.2 mm
TUV 20W 4P SE UNP/32	19.3 mm	437.7 mm	430 mm
TUV 36T5 HO 4P SE UNP/32	19.3 mm	853 mm	845.4 mm
TUV 36T5 HE 4P SE UNP/32	19.3 mm	853 mm	845.4 mm

Product	D	C
TUV 64T5 HO G5 UNP 40	16 mm	1538.8 mm
TUV 36T5 HO G5 UNP 40	16 mm	827.6 mm
TUV 64T5 HE G5 UNP 40	16 mm	1538.8 mm
TUV 36T5 HE G5 UNP 40	16 mm	827.6 mm

General Information	
Main Application	Disinfection
Light Technical	
Color Designation	-
Lumen Depreciation At Useful Lifetime	15 %

Approval and Application

Order Code	Full Product Name	Mercury (Hg) Content (Nom)
927970004099	TUV 36T5 SP NO/32	3.0 mg
927970504099	TUV 64T5 HE SP UNP/32	3.0 mg
927970204099	TUV 36T5 HE 4P SE UNP/32	3.0 mg
927971104099	TUV 64T5 HO 4P SE UNP/32	5.5 mg
927972104099	TUV 36T5 HO 4P SE UNP/32	5.5 mg

Order Code	Full Product Name	Mercury (Hg) Content (Nom)
927973404099	TUV 20W 4P SE UNP/32	4.4 mg
928000204024	TUV 36T5 HE G5 UNP 40	3.0 mg
928000304014	TUV 64T5 HO G5 UNP 40	5.5 mg
928000404024	TUV 64T5 HE G5 UNP 40	-
928002404014	TUV 36T5 HO G5 UNP 40	5.5 mg

Operating and Electrical

Order Code	Full Product Name	Lamp		Power
		Current (Nom)	Voltage (Nom)	(Rated) (Nom)
927970004099	TUV 36T5 SP NO/32	0.425 A	94 V	40 W
927970504099	TUV 64T5 HE SP UNP/32	0.425 A	176 V	75 W
927970204099	TUV 36T5 HE 4P SE UNP/32	0.425 A	94 V	40 W
927971104099	TUV 64T5 HO 4P SE UNP/32	0.8 A	175 V	145 W

Order Code	Full Product Name	Lamp		Power
		Current (Nom)	Voltage (Nom)	(Rated) (Nom)
927972104099	TUV 36T5 HO 4P SE UNP/32	0.8 A	97 V	75 W
927973404099	TUV 20W 4P SE UNP/32	0.45 A	45 V	20 W
928000204024	TUV 36T5 HE G5 UNP 40	0.425 A	94 V	40 W
928000304014	TUV 64T5 HO G5 UNP 40	0.8 A	97 V	75 W

## TUV T5

Order Code	Full Product Name	Lamp Current (Nom)	Voltage (Nom)	Power (Rated) (Nom)
928000404024	TUV 64T5 HE G5 UNP 40	0.425 A	176 V	75 W

Order Code	Full Product Name	Lamp Current (Nom)	Voltage (Nom)	Power (Rated) (Nom)
928002404014	TUV 36T5 HO G5 UNP 40	0.8 A	175 V	145 W

### General Information

Order Code	Full Product Name	Cap-Base	Useful Life (Nom)	System Description
927970004099	TUV 36T5 SP NO/32	SINGLEPIN	9000 h	High Efficiency
927970504099	TUV 64T5 HE SP UNP/32	SINGLEPIN	9000 h	High Efficiency
927970204099	TUV 36T5 HE 4P SE UNP/32	4PINSSINGLEENDED	9000 h	High Efficiency
927971104099	TUV 64T5 HO 4P SE UNP/32	4PINSSINGLEENDED	9000 h	High Output
927972104099	TUV 36T5 HO 4P SE UNP/32	4PINSSINGLEENDED	9000 h	High Output

Order Code	Full Product Name	Cap-Base	Useful Life (Nom)	System Description
927973404099	TUV 20W 4P SE UNP/32	4PINSSINGLEENDED	11000 h	-
928000204024	TUV 36T5 HE G5 UNP 40	4PINSSINGLEENDED	9000 h	High Efficiency
928000304014	TUV 64T5 HO G5 UNP 40	4PINSSINGLEENDED	9000 h	High Output
928000404024	TUV 64T5 HE G5 UNP 40	4PINSSINGLEENDED	9000 h	High Efficiency
928002404014	TUV 36T5 HO G5 UNP 40	4PINSSINGLEENDED	9000 h	High Output

### Light Technical

Order Code	Full Product Name	Color Code
927970004099	TUV 36T5 SP NO/32	TUV
927970504099	TUV 64T5 HE SP UNP/32	TUV
927970204099	TUV 36T5 HE 4P SE UNP/32	TUV
927971104099	TUV 64T5 HO 4P SE UNP/32	TUV
927972104099	TUV 36T5 HO 4P SE UNP/32	TUV

Order Code	Full Product Name	Color Code
927973404099	TUV 20W 4P SE UNP/32	TUV
928000204024	TUV 36T5 HE G5 UNP 40	TUV
928000304014	TUV 64T5 HO G5 UNP 40	TUV
928000404024	TUV 64T5 HE G5 UNP 40	-
928002404014	TUV 36T5 HO G5 UNP 40	TUV

### Mechanical and Housing

Order Code	Full Product Name	Bulb Shape
927970004099	TUV 36T5 SP NO/32	T16
927970504099	TUV 64T5 HE SP UNP/32	T16
927970204099	TUV 36T5 HE 4P SE UNP/32	T16
927971104099	TUV 64T5 HO 4P SE UNP/32	T16
927972104099	TUV 36T5 HO 4P SE UNP/32	T16

Order Code	Full Product Name	Bulb Shape
927973404099	TUV 20W 4P SE UNP/32	-
928000204024	TUV 36T5 HE G5 UNP 40	T16
928000304014	TUV 64T5 HO G5 UNP 40	T16
928000404024	TUV 64T5 HE G5 UNP 40	T16
928002404014	TUV 36T5 HO G5 UNP 40	T16

### UV

Order Code	Full Product Name	UV-C Radiation
927970004099	TUV 36T5 SP NO/32	15 W
927970504099	TUV 64T5 HE SP UNP/32	31 W
927970204099	TUV 36T5 HE 4P SE UNP/32	15 W
927971104099	TUV 64T5 HO 4P SE UNP/32	48 W
927972104099	TUV 36T5 HO 4P SE UNP/32	25 W

Order Code	Full Product Name	UV-C Radiation
927973404099	TUV 20W 4P SE UNP/32	6.0 W
928000204024	TUV 36T5 HE G5 UNP 40	15 W
928000304014	TUV 64T5 HO G5 UNP 40	25 W
928000404024	TUV 64T5 HE G5 UNP 40	31 W
928002404014	TUV 36T5 HO G5 UNP 40	48 W

