



Sophisticated yet simple energy-efficient lighting solutions

Dynalite Integration Devices

Within any modern project, many third-party systems can be found performing different roles. Each separate system may use a different protocol for communication. Philips Dynalite has developed a range of gateway devices that can be used to synchronize these systems' functions into one integrated system solution. By utilizing the correct gateway, different systems can be integrated, allowing end-users access to a fully automated site from one interface. By successfully integrating third-party systems with a Dynalite solution, repetitive end-user interaction is reduced.

Benefits

- Reduces repetitive end-user interaction
- Allows access to fully automated site from one interface

Features

- A range of different gateways provides different integration opportunities and network management options

Application

- Depends on the lighting system in which the controls are used

Dynalite Integration Devices

Versions

DPMI940-DALI Dry Contact Interface



DDMIDC8 Low Level Input Integrator



DDNG-KNX CONN new PS



DDNG232 CONN new PS



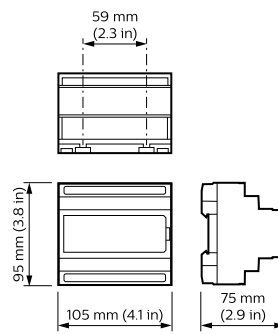
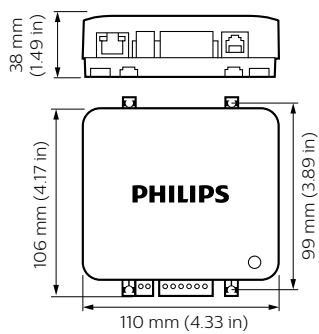
PDEG Ethernet Gateway



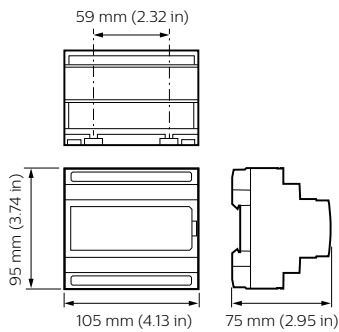
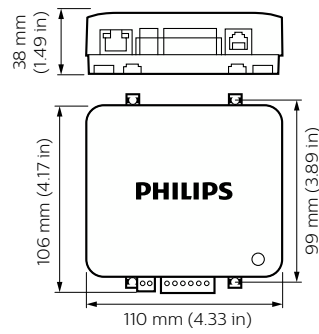
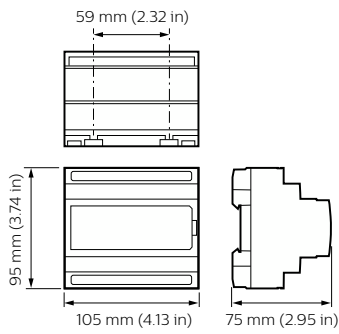
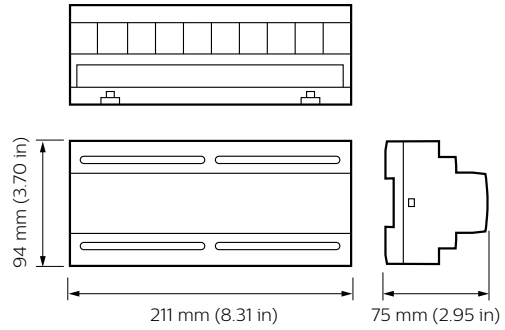
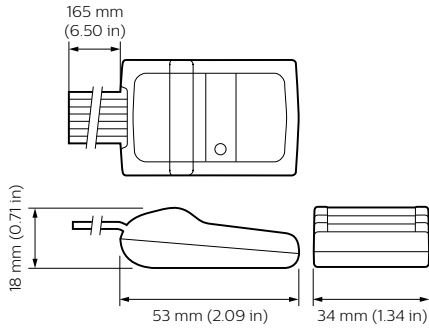
Dynalite PDEB Ethernet Bridge integration device



Dimensional drawing



Dimensional drawing



Product details

Front of the PDEG Ethernet Gateway

DDMIDC8 Low Level Input Integrator front



Dynalite Integration Devices

Product details

DDNG-KNX Front



DDNG23_new_Front



Front image of the PDEB Ethernet
Bridge integration device

