



Sophisticated yet simple energy-efficient lighting control solutions

Dynalite Signal Dimmer Controllers

The Dynalite range of Signal Dimmer Controllers, have been engineered to meet the future demands of projects. They are capable of transmitting all industry standard driver protocols (1-10V, DSI, DALI and Broadcast DALI) and support two ranges of install opportunities of both DIN-rail and wall box, to allow for flexible install opportunities. The Signal Dimmer Controller range also support a vast range of driver controllers with a variety of circuit numbers and sizes to work individually or as part of a system, suiting any project requirement.

Benefits

- Multiple protocols supported
- Options available
- Inbuilt diagnostic functionality

Application

- Retail and Hospitality, Office and Industry
- Public spaces, Stadiums and multi-purpose Event Centers
- Residential

Dynalite Signal Dimmer Controllers

Versions



DDBC516FR 5 x 16A Signal Dimmer Controller



DDBC1200 Signal Dimmer Controller

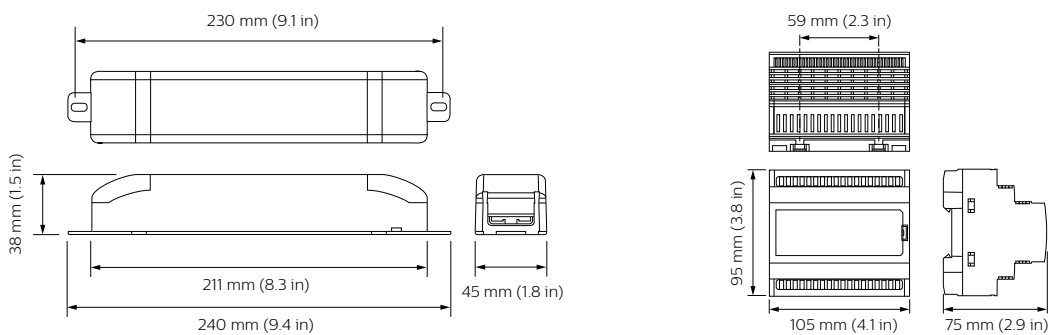


DDBC120-DALI MultiMaster DALI Driver Controller



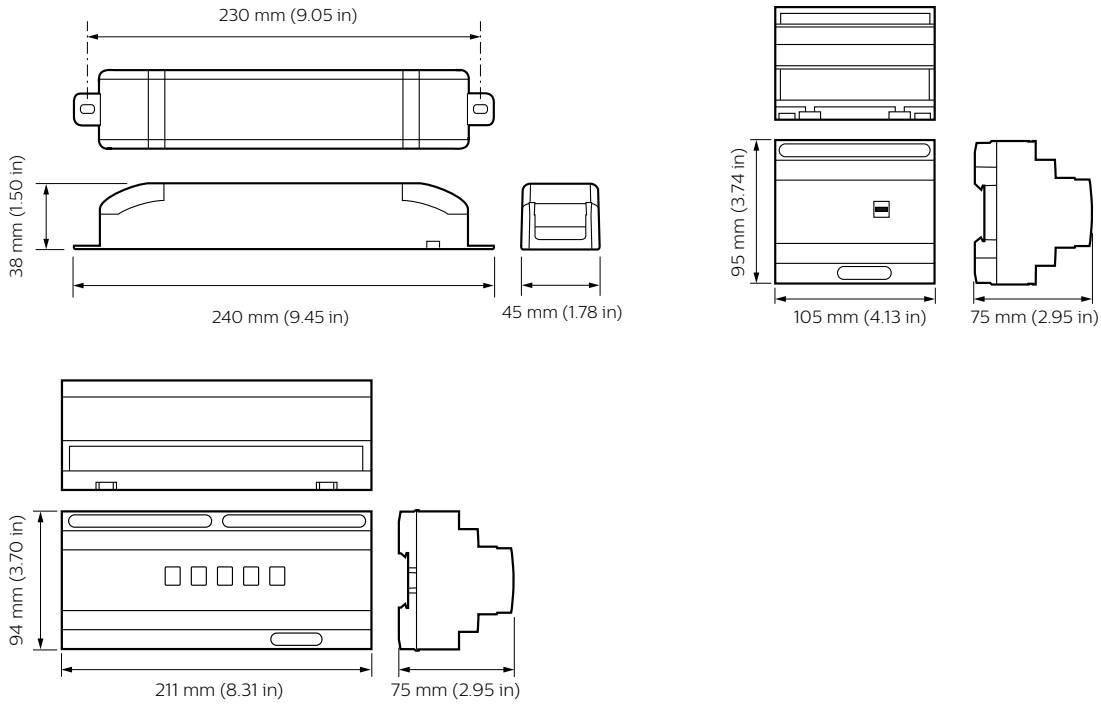
DMBC110

Dimensional drawing



Dynalite Signal Dimmer Controllers

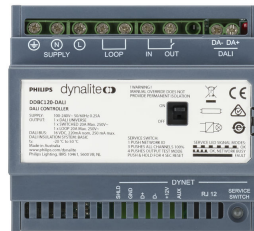
Dimensional drawing



Product details



DDBC516FR 5 x 16A Signal Dimmer Controller front



DDBC120-DALI MultiMaster DALI Driver Controller

Detail photo of the DMBC110



Dynalite Signal Dimmer Controllers

