



A compact solution for retail

MasterColor CDM-TC T4 Elite

Philips MasterColor CDM Evolution 3000K Tubular Single-Ended T4 Lamp is the next evolution of MasterColor.

Benefits

- Color stability over life within $\pm 200\text{K}$
- Excellent color with 90 CRI (color rendering index)
- Color stability over life within $\pm 200\text{K}$
- Lamp-to-lamp color consistency over life
- High lamp efficacy (up to 112 LPW)
- Up to 33% better initial efficacy than existing MasterColor T4 lamps*
- 20,000 hours rated average life†
- 80% lumen maintenance at 15,000 hours
- * Based on a MasterColor Evolution 3000K Tubular Single-Ended T4 39W lamp with 4400 initial lumens vs. a CDM T4 35W lamp with 3,300 initial lumens.
- † Rated average life is the life obtained, on the average, from large representative groups of lamps in laboratory tests under controlled conditions at 10 or more operating hours per start. It is based on survival of at least 50% of the lamps and allows for individual lamps or groups of lamps to vary considerably from the average.

Features

- Universal operating position
- Dimensions, base and light center length are same as MasterColor and MasterColor Elite T4 lamps
- Features FadeBlock—an integrated UV blocking medium for reduced fading of fabrics and paintings
- Available in new 20W and 39W lamps

Application

- Ideal for retail display lighting and accent lighting

MasterColor CDM-TC T4 Elite

Warnings and Safety

- R "WARNING: These lamps can cause serious skin burn and eye inflammation from short wave ultraviolet radiation if outer envelope of the lamp is broken or punctured. Do not use where people will remain for more than a few minutes unless adequate shielding or other safety precautions are used. Certain lamps that will automatically extinguish when the outer envelope is broken or punctured are commercially available." This lamp complies with FDA radiation performance standard 21 CFR subchapter J. (USA:21 CFR 1040.30 Canada: SOR/DORS/80-381)
- Lamp contains mercury. Manage in Accord with Disposal Laws. See: www.lamprecycle.org or 1-800-555-0050

Versions



CDM-TC Elite 35W /930 /942

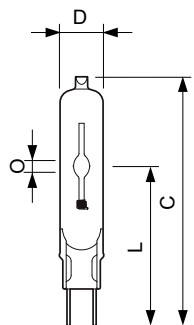


CDM-TC Elite 70W /930 /942

Dimensional drawing

D

Product	D (max)	O	L (min)	L (max)	L	C (max)
MASTERColor CDM-TC Elite 35W/930 G8.5	15 mm	4.8 mm	51 mm	53 mm	52 mm	85 mm
MASTERColor CDM-TC ELITE 70W/930 G8.5	15 mm	7.15 mm	51 mm	53 mm	52 mm	85 mm



Product
CDM20/TC/830 Elite

MasterColor CDM-TC T4 Elite

Approval and Application

Energy Efficiency Label (EEL)	A+
-------------------------------	----

Controls and Dimming

Dimmable	No
----------	----

Operating and Electrical

Re-ignition Time (Min) (Max)	15 min
------------------------------	--------

General Information

Cap-Base	G8.5
Life To 10% Failures (Nom)	14000 h
Life To 20% Failures (Nom)	16000 h
Life To 50% Failures (Nom)	20000 h
Life To 5% Failures (Nom)	12000 h
Operating Position	Universal

Light Technical

Color Designation	Warm White (WW)
-------------------	-----------------

Mechanical and Housing

Bulb Finish	Clear
Bulb Shape	T4

Approval and Application

Order Code	Full Product Name	Energy Consumption kWh/	Mercury (Hg) Content
		1000 h	(Nom)
410464	CDM20/TC/830 Elite	22 kWh	3.5 mg
409169	MASTERColor CDM-TC Elite 35W/930 G8.5	43 kWh	4.7 mg
409177	MASTERColor CDM-TC ELITE 70W/930 G8.5	80 kWh	6.6 mg

Operating and Electrical (1/2)

Order Code	Full Product Name	Voltage (Max)	Voltage (Min)	Voltage (Nom)	Power
					(Rated) (Min)
410464	CDM20/TC/830 Elite	100 V	90 V	95 V	20.0 W
409169	MASTERColor CDM-TC Elite 35W/930 G8.5	90 V	80 V	85 V	-

Order Code	Full Product Name	Voltage (Max)	Voltage (Min)	Voltage (Nom)	Power
					(Rated) (Min)
409177	MASTERColor CDM-TC ELITE 70W/930 G8.5	90 V	80 V	85 V	-

Operating and Electrical (2/2)

Order Code	Full Product Name	Power (Rated) (Nom)
410464	CDM20/TC/830 Elite	20 W
409169	MASTERColor CDM-TC Elite 35W/930 G8.5	39.0 W

Order Code	Full Product Name	Power (Rated) (Nom)
409177	MASTERColor CDM-TC ELITE 70W/930 G8.5	73.0 W

Luminaire Design Requirements

Order Code	Full Product Name	Bulb Temperature (Max)
410464	CDM20/TC/830 Elite	320 °C
409169	MASTERColor CDM-TC Elite 35W/930 G8.5	500 °C

Order Code	Full Product Name	Bulb Temperature (Max)
409177	MASTERColor CDM-TC ELITE 70W/930 G8.5	550 °C

Light Technical (1/2)

MasterColor CDM-TC T4 Elite

Order Code	Full Product Name	Chromaticity	Chromaticity	Correlated Color	
		Coordinate X (Nom)	Coordinate Y (Nom)	Color Code	Temperature (Nom)
410464	CDM20/TC/830 Elite	0.434	0.391	830	-
409169	MASTERColor CDM-TC Elite 35W/930 G8.5	0.435	0.396	930	3000 K

Order Code	Full Product Name	Chromaticity	Chromaticity	Correlated Color	
		Coordinate X (Nom)	Coordinate Y (Nom)	Color Code	Temperature (Nom)
409177	MASTERColor CDM-TC ELITE 70W/930 G8.5	0.435	0.396	930	3000 K

Light Technical (2/2)

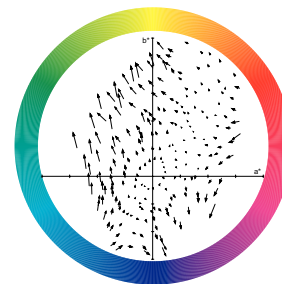
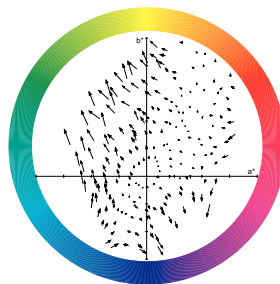
Order Code	Full Product Name	Color	Color	Lumen	Lumen	Lumen	Lumen	Luminous	Luminous	Luminous
		Rendering Index (Min)	Rendering Index (Nom)	Maintenance 10000 h (Nom)	Maintenance 12000 h (Nom)	Maintenance 2000 h (Nom)	Maintenance 5000 h (Nom)	Efficacy (rated) (Nom)	Flux (Rated) (Min)	Flux (Rated) (Nom)
410464	CDM20/TC/830 Elite	-	85	78 %	77 %	87 %	83 %	90 lm/W	1620 lm	1800 lm
409169	MASTERColor CDM-TC Elite 35W/930 G8.5	87	90	80 %	78 %	93 %	88 %	102 lm/W	3600 lm	4000 lm
409177	MASTERColor CDM-TC ELITE 70W/930 G8.5	87	90	83 %	82 %	95 %	88 %	107 lm/W	-	7800 lm

Mechanical and Housing

Order Code	Full Product Name	Bulb Material
410464	CDM20/TC/830 Elite	UV-Block Quartz
409169	MASTERColor CDM-TC Elite 35W/930 G8.5	-

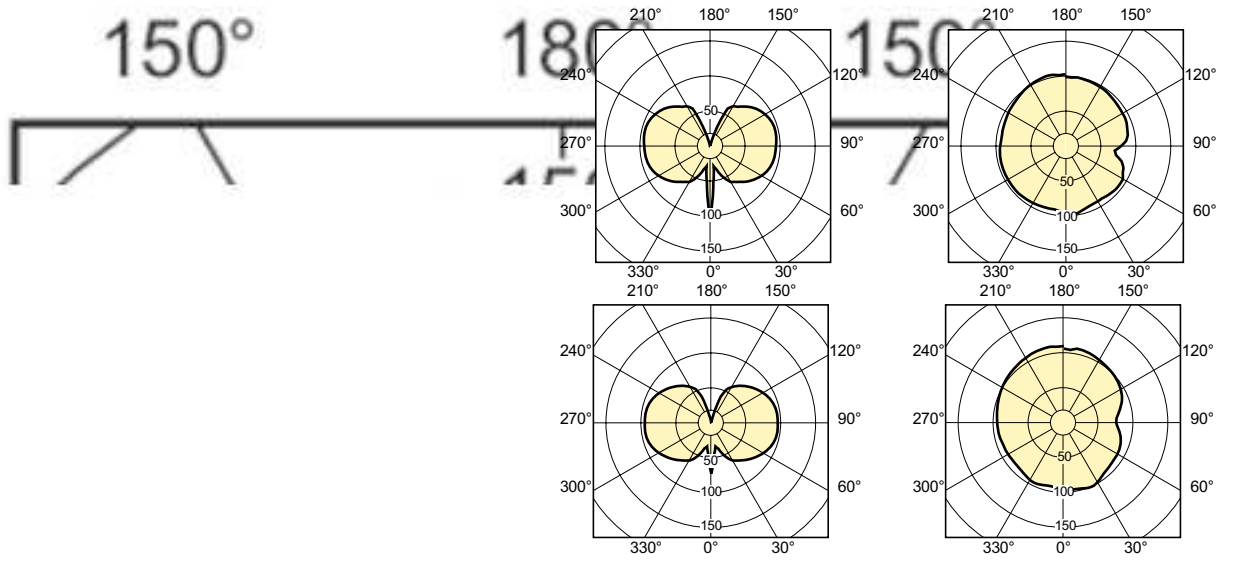
Order Code	Full Product Name	Bulb Material
409177	MASTERColor CDM-TC ELITE 70W/930 G8.5	-

Color Rendering Diagrams



LDCR_CDMTC-E_0002-Colour rendering diagram

MasterColor CDM-TC T4 Elite



MasterColor CDM-TC T4 Elite

