



A compact solution for retail

MasterColor CDM-TC T4 Elite

Philips MasterColor CDM Evolution 3000K Tubular Single-Ended T4 Lamp is the next evolution of MasterColor.

Benefits

Features

Application

Warnings and Safety

Versions



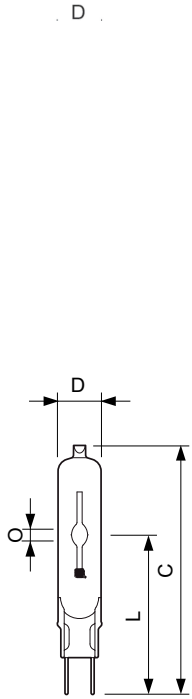
CDM-TC Elite 35W /930 /942



CDM-TC Elite 70W /930 /942

MasterColor CDM-TC T4 Elite

Dimensional drawing



Product	D (max)	O	L (min)	L (max)	L	C (max)
MASTERCoulour CDM-TC Elite 70W/930 G8.5 1CT/12	15 mm	7.15 mm	51 mm	53 mm	52 mm	85 mm
MASTERCColor CDM-TC Elite 35W/930 G8.5	15 mm	4.8 mm	51 mm	53 mm	52 mm	85 mm
MASTERCColor CDM-TC ELITE 70W/930 G8.5	15 mm	7.15 mm	51 mm	53 mm	52 mm	85 mm

Product
CDM20/TC/830 Elite

Approval and Application	
Energy Efficiency Label (EEL)	A+
Controls and Dimming	
Dimmable	No
Operating and Electrical	
Re-ignition Time (Min) (Max)	15 min
General Information	
Cap-Base	G8.5
Life To 10% Failures (Nom)	14000 h
Life To 20% Failures (Nom)	16000 h
Life To 50% Failures (Nom)	20000 h
Life To 5% Failures (Nom)	12000 h
Operating Position	UNIVERSAL
Light Technical	
Color Designation	Warm White (WW)
Mechanical and Housing	
Bulb Finish	Clear
Bulb Shape	T14

Approval and Application

Order Code	Full Product Name	Energy Consumption kWh/1000 h	Mercury (Hg) Content (Nom)
928183405115	CDM20/TC/830 Elite	22 kWh	3.5 mg
928189105115	MASTERCColor CDM-TC Elite 35W/930 G8.5	43 kWh	4.7 mg
928189505115	MASTERCColor CDM-TC ELITE 70W/930 G8.5	80 kWh	6.6 mg
928189505131	MASTERCoulour CDM-TC Elite 70W/930 G8.5 1CT/12	80 kWh	6.6 mg

Operating and Electrical (1/2)

MasterColor CDM-TC T4 Elite

Order Code	Full Product Name	Voltage (Max)	Voltage (Min)	Voltage (Nom)	Power (Rated) (Min)
928183405115	CDM20/TC/830 Elite	100 V	90 V	95 V	20.0 W
928189105115	MASTERColor CDM-TC Elite 35W/930 G8.5	90 V	80 V	85 V	-
928189505115	MASTERColor CDM-TC ELITE 70W/930 G8.5	90 V	80 V	85 V	-

Order Code	Full Product Name	Voltage (Max)	Voltage (Min)	Voltage (Nom)	Power (Rated) (Min)
928189505131	MASTERColour CDM-TC Elite 70W/930 G8.5 1CT/12	90 V	80 V	85 V	-

Operating and Electrical (2/2)

Order Code	Full Product Name	Power (Rated) (Nom)
928183405115	CDM20/TC/830 Elite	20.1 W
928189105115	MASTERColor CDM-TC Elite 35W/930 G8.5	39.1 W
928189505115	MASTERColor CDM-TC ELITE 70W/930 G8.5	73.2 W

Order Code	Full Product Name	Power (Rated) (Nom)
928189505131	MASTERColour CDM-TC Elite 70W/930 G8.5 1CT/12	73.2 W

Luminaire Design Requirements

Order Code	Full Product Name	Bulb Temperature (Max)
928183405115	CDM20/TC/830 Elite	320 °C
928189105115	MASTERColor CDM-TC Elite 35W/930 G8.5	500 °C
928189505115	MASTERColor CDM-TC ELITE 70W/930 G8.5	550 °C

Order Code	Full Product Name	Bulb Temperature (Max)
928189505131	MASTERColour CDM-TC Elite 70W/930 G8.5 1CT/12	550 °C

Light Technical (1/2)

Order Code	Full Product Name	Chromaticity Coordinate X (Nom)	Chromaticity Coordinate Y (Nom)	Color Code	Correlated Color Temperature (Nom)
928183405115	CDM20/TC/830 Elite	0.434	0.391	830	-
928189105115	MASTERColor CDM-TC Elite 35W/930 G8.5	0.435	0.396	930	3000 K
928189505115	MASTERColor CDM-TC ELITE 70W/930 G8.5	0.435	0.396	930	3000 K

Order Code	Full Product Name	Chromaticity Coordinate X (Nom)	Chromaticity Coordinate Y (Nom)	Color Code	Correlated Color Temperature (Nom)
928189505131	MASTERColour CDM-TC Elite 70W/930 G8.5 1CT/12	0.435	0.396	930	3000 K

Light Technical (2/2)

Order Code	Full Product Name	Color				Luminous				
		Color Rendering Index (Min)	Color Rendering Index (Nom)	Lumen Maintenance 10000 h (Nom)	Lumen Maintenance 12000 h (Nom)	Lumen Maintenance 2000 h (Nom)	Lumen Maintenance 5000 h (Nom)	Luminous Efficacy (rated) (Nom)	Luminous Flux (Rated) (Min)	Luminous Flux (Rated) (Nom)
928183405115	CDM20/TC/830 Elite	-	85	78 %	77 %	87 %	83 %	90 lm/W	1620 lm	1800 lm
928189105115	MASTERColor CDM-TC Elite 35W/930 G8.5	87	90	80 %	78 %	93 %	88 %	102 lm/W	3600 lm	4000 lm
928189505115	MASTERColor CDM-TC ELITE 70W/930 G8.5	87	90	83 %	82 %	95 %	88 %	107 lm/W	-	7800 lm

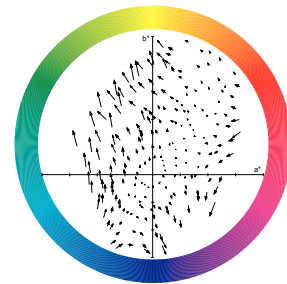
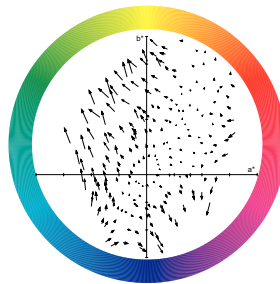
MasterColor CDM-TC T4 Elite

Order Code	Full Product Name	Color						Luminous		
		Color Rendering Index (Min)	Color Rendering Index (Nom)	Lumen Maintenance 10000 h (Nom)	Lumen Maintenance 12000 h (Nom)	Lumen Maintenance 2000 h (Nom)	Lumen Maintenance 5000 h (Nom)	Luminous Efficacy (rated) (Nom)	Luminous Flux (Rated) (Min)	Luminous Flux (Rated) (Nom)
928189505131	MASTERColour CDM-TC Elite 70W/930 G8.5 1CT/12	87	90	83 %	82 %	95 %	88 %	107 lm/W	-	7800 lm

Mechanical and Housing

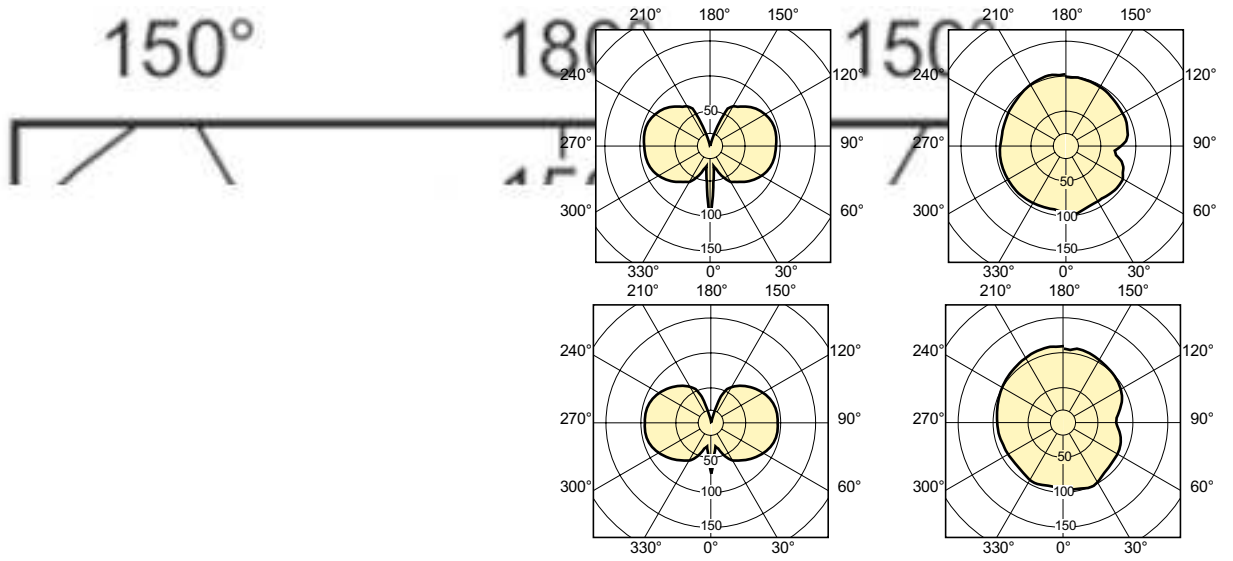
Order Code	Full Product Name	Bulb Material	Order Code	Full Product Name	Bulb Material
928183405115	CDM20/TC/830 Elite	UV-Block Quartz	928189505115	MASTERColor CDM-TC ELITE 70W/930 G8.5	-
928189105115	MASTERColor CDM-TC Elite 35W/930 G8.5	-	928189505131	MASTERColour CDM-TC Elite 70W/930 G8.5 1CT/12	-

Color Rendering Diagrams



LDCR_CDMTC-E_0002-Colour rendering diagram

MasterColor CDM-TC T4 Elite



MasterColor CDM-TC T4 Elite

