



RCS750 3-circuit square track system – flexible and multifunctional

3-circuit square RCS750

The RCS750 3-circuit square track system is made up of a solid aluminium track available in lengths of 1, 2, 3 and 4 m with four electrical conductors. Any given configuration can be created easily: horizontal or vertical, mounted on or in the ceiling, on the wall or on free-standing panels. The system can also be used as a floating structure. All luminaires have a separate power supply and can be switched selectively. They can be moved easily to change the lighting and presentation. In this way, a multifunctional track system can be created for accent lighting as well as for suspending advertising and decorative material. A range of adaptors, power supply connections and mounting accessories is also available.

Benefits

- Flexible 3-circuit track system for the professional user, allowing any required configuration to be created relatively easily
- All luminaires have separate power switching so they can easily be moved, for example to create changing atmospheres in shop windows or interiors
- Can be applied as a 'floating' structure using the suspension tubes and clamps provided

Features

- Can be used with all Philips LED 3C track spots
- Available in lengths of 1, 2, 3 and 4 m
- Available in three finishes – white, black, aluminum
- Range of adaptors, power supply connections and mounting accessories available

3-circuit square RCS750

Application

- Retail
- Indoor architectural lighting

Versions



ZRS750 CPF BK (XTS23-2)



ZRS750 CPS BK (XTS14-2)



ZRS750 TCPR WH (XTS36-3)



ZRS750 CCPE BK (XTS35-2)



RBS750 recessed track, white



ZRS750 CPF WH (XTS23-3)



ZRS750 EPSR BK (XTS11-2+41-2)



ZRS750 EPSL BK (XTS12-2+41-2)



ZRS750 CPS WH (XTS14-3)



ZRS750 CCPI WH (XTS34-3)



ZRS750 CPX WH (XTS38-3)



ZRS750 EP BK (XTS41-2)

3-circuit square RCS750

Versions



ZRS750 EP WH (XTS41-3)



ZRS750 ICP WH (XTS21-3)



ZRS750 TCPL WH (XTS39-3)



ZRS750 ACP WH (XTS24-3)



ZRS750 3C BA WH (GA70-3)



ZRS750 CCPE WH (XTS35-3)



ZRS750 EPSL WH (XTS12-3+41-3)



ZRS750 TCPR BK (XTS36-2)

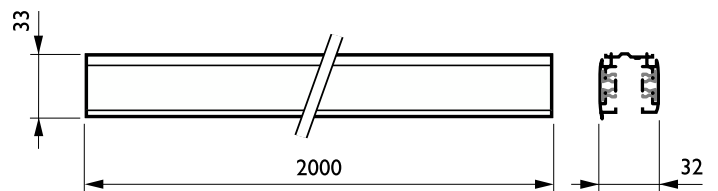
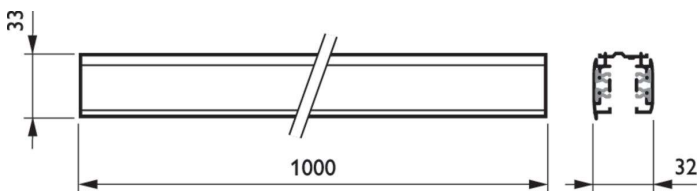


ZCS750 5C6 CPF BK (XTSC623-2)



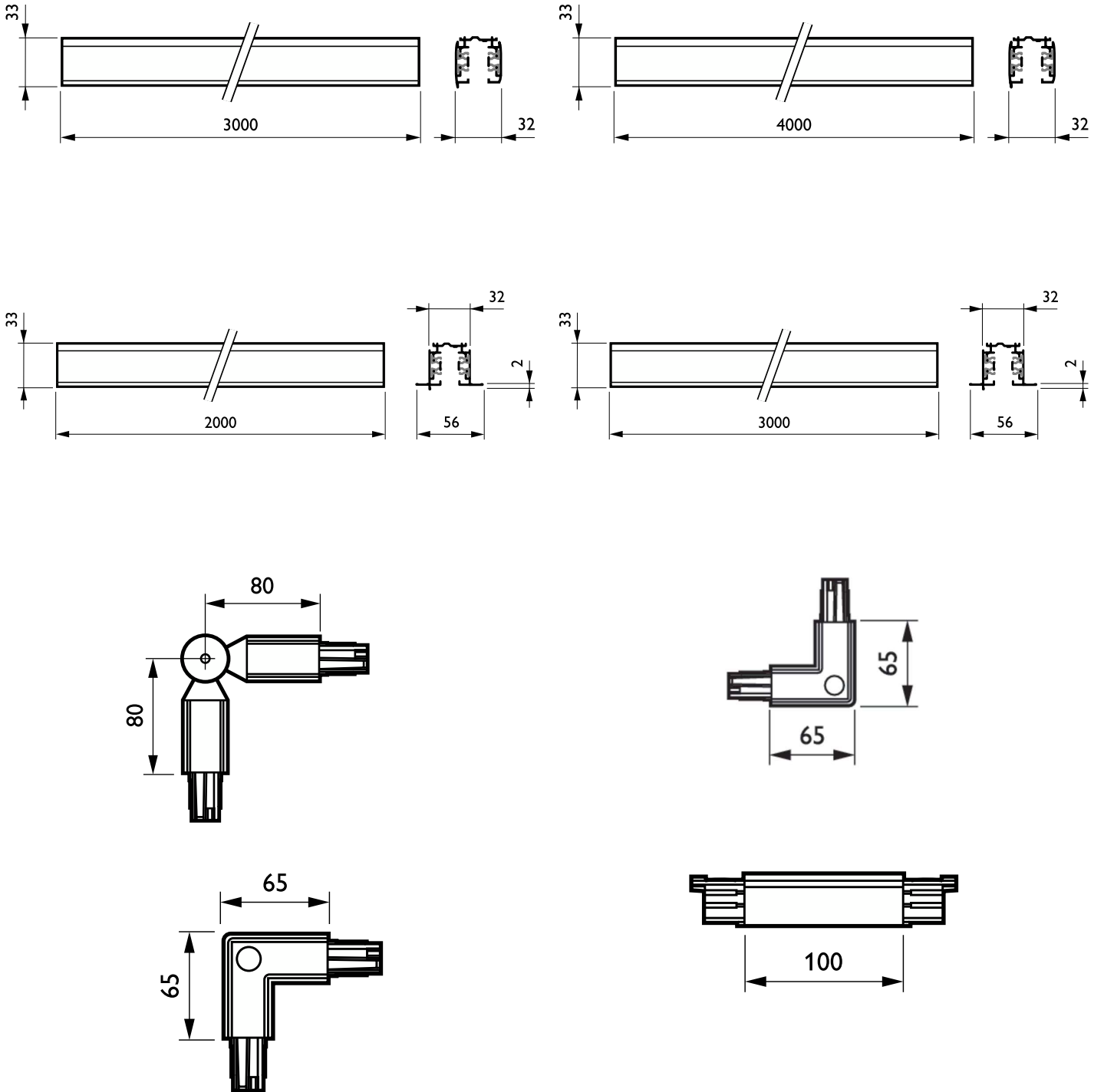
ZRS750 ICP BK (XTS21-2)

Dimensional drawing



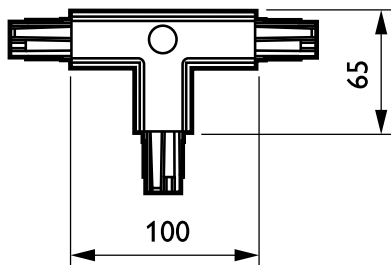
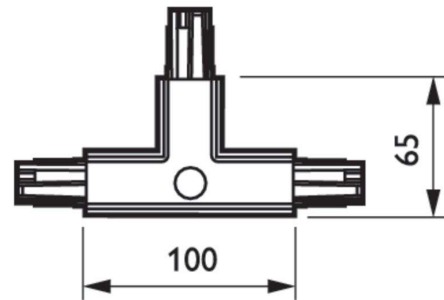
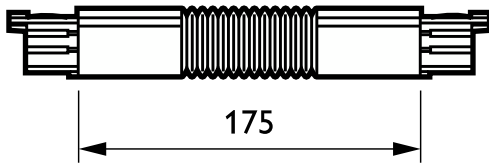
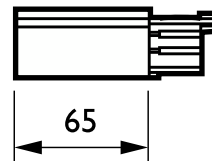
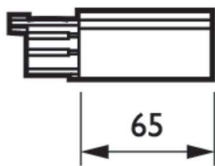
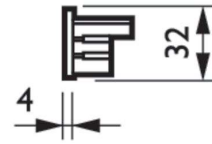
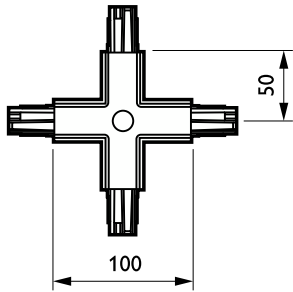
3-circuit square RCS750

Dimensional drawing



3-circuit square RCS750

Dimensional drawing



3-circuit square RCS750

Dimensional drawing

Product details



Coupling piece with suspension set



Power supply connector end left



Fish plate connection



Flexible coupling/corner piece



External earth coupling/corner piece outer 90°



End piece

General Information

3-circuit square RCS750

Order Code	Full Product Name	Accessory		
		colour	Glow-wire test	Glow-wire test
79855499	ZRS750 CPF BK (XTS23-2)	Black	-	-
14155899	ZRS750 CPS BK (XTS14-2)	Black	-	-
38130599	ZRS750 TCPR WH (XTS36-3)	White	-	-
14152799	ZRS750 CCPE BK (XTS35-2)	Black	-	-
14153499	ZRS750 CCPI BK (XTS34-2)	Black	-	-
14980600	RBS750 3C L2000 WH (XTSF4200-3)	White	Temperature 850 °C, duration 5 s	Temperature 850 °C, duration 5 s
14982000	RBS750 3C L3000 WH (XTSF4300-3)	White	Temperature 850 °C, duration 5 s	Temperature 850 °C, duration 5 s
38120699	ZRS750 CPF WH (XTS23-3)	White	-	-
14149799	ZRS750 EPSR BK (XTS11-2+41-2)	Black	-	-
38110700	RCS750 3C L1000 WH (XTS4100-3)	White	Temperature 850 °C, duration 5 s	Temperature 850 °C, duration 5 s
38111400	RCS750 3C L2000 WH (XTS4200-3)	White	Temperature 850 °C, duration 5 s	Temperature 850 °C, duration 5 s
38112100	RCS750 3C L3000 WH (XTS4300-3)	White	Temperature 850 °C, duration 5 s	Temperature 850 °C, duration 5 s
38113800	RCS750 3C L4000 WH (XTS4400-3)	White	Temperature 850 °C, duration 5 s	Temperature 850 °C, duration 5 s
14148099	ZRS750 EPSL BK (XTS12-2+41-2)	Black	-	-
38122099	ZRS750 CPS WH (XTS14-3)	White	-	-
38126899	ZRS750 CCPI WH (XTS34-3)	White	-	-
38134399	ZRS750 CPX WH (XTS38-3)	White	-	-
14150399	ZRS750 EP BK (XTS41-2)	Black	-	-

Order Code	Full Product Name	Accessory		
		colour	Glow-wire test	Glow-wire test
38124499	ZRS750 EP WH (XTS41-3)	White	-	-
38106000	RCS750 3C L1000 ALU (XTS4100-1)	Aluminium	Temperature 850 °C, duration 5 s	Temperature 850 °C, duration 5 s
38107700	RCS750 3C L2000 ALU (XTS4200-1)	Aluminium	Temperature 850 °C, duration 5 s	Temperature 850 °C, duration 5 s
38108400	RCS750 3C L3000 ALU (XTS4300-1)	Aluminium	Temperature 850 °C, duration 5 s	Temperature 850 °C, duration 5 s
38109100	RCS750 3C L4000 ALU (XTS4400-1)	Aluminium	Temperature 850 °C, duration 5 s	Temperature 850 °C, duration 5 s
38118399	ZRS750 ICP WH (XTS21-3)	White	-	-
38132999	ZRS750 TCPL WH (XTS39-3)	White	-	-
38136799	ZRS750 ACP WH (XTS24-3)	White	-	-
14715499	ZRS750 3C BA WH (GA70-3)	White	-	-
38128299	ZRS750 CCPE WH (XTS35-3)	White	-	-
38116999	ZRS750 EPSL WH (XTS12-3+41-3)	White	-	-
14154199	ZRS750 TCPR BK (XTS36-2)	Black	-	-
79851600	RCS750 3C L1000 BK (XTS4100-2)	Black	Temperature 850 °C, duration 5 s	Temperature 850 °C, duration 5 s
79852300	RCS750 3C L2000 BK (XTS4200-2)	Black	Temperature 850 °C, duration 5 s	Temperature 850 °C, duration 5 s
79853000	RCS750 3C L3000 BK (XTS4300-2)	Black	Temperature 850 °C, duration 5 s	Temperature 850 °C, duration 5 s
79854700	RCS750 3C L4000 BK (XTS4400-2)	Black	Temperature 850 °C, duration 5 s	Temperature 850 °C, duration 5 s
06744499	ZCS750 5C6 CPF BK (XTSC623-2)	Black	-	-
14151099	ZRS750 ICP BK (XTS21-2)	Black	-	-

Operating and Electrical

Order Code	Full Product Name	Input Voltage	Input Voltage
79855499	ZRS750 CPF BK (XTS23-2)	250 V	250 V
14155899	ZRS750 CPS BK (XTS14-2)	250 V	250 V
38130599	ZRS750 TCPR WH (XTS36-3)	-	-
14152799	ZRS750 CCPE BK (XTS35-2)	-	-
14153499	ZRS750 CCPI BK (XTS34-2)	-	-
14980600	RBS750 3C L2000 WH (XTSF4200-3)	-	-
14982000	RBS750 3C L3000 WH (XTSF4300-3)	-	-
38120699	ZRS750 CPF WH (XTS23-3)	-	-
14149799	ZRS750 EPSR BK (XTS11-2+41-2)	250 V	250 V
38110700	RCS750 3C L1000 WH (XTS4100-3)	-	-
38111400	RCS750 3C L2000 WH (XTS4200-3)	-	-

Order Code	Full Product Name	Input Voltage	Input Voltage
38112100	RCS750 3C L3000 WH (XTS4300-3)	-	-
38113800	RCS750 3C L4000 WH (XTS4400-3)	-	-
14148099	ZRS750 EPSL BK (XTS12-2+41-2)	250 V	250 V
38122099	ZRS750 CPS WH (XTS14-3)	250 V	250 V
38126899	ZRS750 CCPI WH (XTS34-3)	-	-
38134399	ZRS750 CPX WH (XTS38-3)	-	-
14150399	ZRS750 EP BK (XTS41-2)	-	-
38124499	ZRS750 EP WH (XTS41-3)	-	-
38106000	RCS750 3C L1000 ALU (XTS4100-1)	-	-
38107700	RCS750 3C L2000 ALU (XTS4200-1)	-	-
38108400	RCS750 3C L3000 ALU (XTS4300-1)	-	-

3-circuit square RCS750

Order Code	Full Product Name	Input Voltage	Input Voltage
38109100	RCS750 3C L4000 ALU (XTS4400-1)	-	-
38118399	ZRS750 ICP WH (XTS21-3)	-	-
38132999	ZRS750 TCPL WH (XTS39-3)	-	-
38136799	ZRS750 ACP WH (XTS24-3)	-	-
14715499	ZRS750 3C BA WH (GA70-3)	250 V	250 V
38128299	ZRS750 CCPE WH (XTS35-3)	-	-
38116999	ZRS750 EPSL WH (XTS12-3+41-3)	250 V	250 V

Order Code	Full Product Name	Input Voltage	Input Voltage
14154199	ZRS750 TCPR BK (XTS36-2)	-	-
79851600	RCS750 3C L1000 BK (XTS4100-2)	-	-
79852300	RCS750 3C L2000 BK (XTS4200-2)	-	-
79853000	RCS750 3C L3000 BK (XTS4300-2)	-	-
79854700	RCS750 3C L4000 BK (XTS4400-2)	-	-
06744499	ZCS750 5C6 CPF BK (XTSC623-2)	-	-
14151099	ZRS750 ICP BK (XTS21-2)	250 V	250 V

Approval and Application

Order Code	Full Product Name	Protection class IEC	Protection class IEC	Ingress	Ingress
				protection code	protection code
79855499	ZRS750 CPF BK (XTS23-2)	-	-	-	-
14155899	ZRS750 CPS BK (XTS14-2)	-	-	-	-
38130599	ZRS750 TCPR WH (XTS36-3)	-	-	-	-
14152799	ZRS750 CCPE BK (XTS35-2)	-	-	-	-
14153499	ZRS750 CCPI BK (XTS34-2)	-	-	-	-
14980600	RBS750 3C L2000 WH (XTSF4200-3)	Safety class I	Safety class I	IP30	IP30
14982000	RBS750 3C L3000 WH (XTSF4300-3)	Safety class I	Safety class I	IP30	IP30
38120699	ZRS750 CPF WH (XTS23-3)	-	-	-	-
14149799	ZRS750 EPSR BK (XTS11-2+41-2)	-	-	-	-
38110700	RCS750 3C L1000 WH (XTS4100-3)	Safety class I	Safety class I	IP30	IP30
38111400	RCS750 3C L2000 WH (XTS4200-3)	Safety class I	Safety class I	IP30	IP30
38112100	RCS750 3C L3000 WH (XTS4300-3)	Safety class I	Safety class I	IP30	IP30
38113800	RCS750 3C L4000 WH (XTS4400-3)	Safety class I	Safety class I	IP30	IP30
14148099	ZRS750 EPSL BK (XTS12-2+41-2)	-	-	-	-
38122099	ZRS750 CPS WH (XTS14-3)	-	-	-	-
38126899	ZRS750 CCPI WH (XTS34-3)	-	-	-	-
38134399	ZRS750 CPX WH (XTS38-3)	-	-	-	-
14150399	ZRS750 EP BK (XTS41-2)	-	-	-	-

Order Code	Full Product Name	Protection class IEC	Protection class IEC	Ingress	Ingress
				protection code	protection code
38124499	ZRS750 EP WH (XTS41-3)	-	-	-	-
38106000	RCS750 3C L1000 ALU (XTS4100-1)	Safety class I	Safety class I	IP30	IP30
38107700	RCS750 3C L2000 ALU (XTS4200-1)	Safety class I	Safety class I	IP30	IP30
38108400	RCS750 3C L3000 ALU (XTS4300-1)	Safety class I	Safety class I	IP30	IP30
38109100	RCS750 3C L4000 ALU (XTS4400-1)	Safety class I	Safety class I	IP30	IP30
38118399	ZRS750 ICP WH (XTS21-3)	-	-	-	-
38132999	ZRS750 TCPL WH (XTS39-3)	-	-	-	-
38136799	ZRS750 ACP WH (XTS24-3)	-	-	-	-
14715499	ZRS750 3C BA WH (GA70-3)	-	-	-	-
38128299	ZRS750 CCPE WH (XTS35-3)	-	-	-	-
38116999	ZRS750 EPSL WH (XTS12-3+41-3)	-	-	-	-
14154199	ZRS750 TCPR BK (XTS36-2)	-	-	-	-
79851600	RCS750 3C L1000 BK (XTS4100-2)	Safety class I	Safety class I	IP30	IP30
79852300	RCS750 3C L2000 BK (XTS4200-2)	Safety class I	Safety class I	IP30	IP30
79853000	RCS750 3C L3000 BK (XTS4300-2)	Safety class I	Safety class I	IP30	IP30
79854700	RCS750 3C L4000 BK (XTS4400-2)	Safety class I	Safety class I	IP30	IP30
06744499	ZCS750 5C6 CPF BK (XTSC623-2)	-	-	-	-
14151099	ZRS750 ICP BK (XTS21-2)	-	-	-	-

3-circuit square RCS750

