



RCS750 3-circuit square track system – flexible and multifunctional

3-circuit Square RCS750

The RCS750 3-circuit square track system is made up of a solid aluminum track available in lengths of 1, 2, 3 and 4 m with four electrical conductors. Any given configuration can be created easily: horizontal or vertical, mounted on or in the ceiling, on the wall or on free-standing panels. The system can also be used as a floating structure. All luminaires have a separate power supply and can be switched selectively. They can be moved easily to change the lighting and presentation. In this way, a multifunctional track system can be created for accent lighting as well as for suspending advertising and decorative material. A range of adaptors, power supply connections and mounting accessories is also available

Benefits

- Flexible 3-circuit track system for the professional user, allowing any required configuration to be created relatively easily.
- All luminaires have separate power switching so they can easily be moved, for example to create changing atmospheres in shop windows or interiors.
- Can be applied as a 'floating' structure using the suspension tubes and clamps provided.

Features

- Can be used with all Philips LED 3C track spots
- Available in lengths of 1, 2, 3 and 4 m
- Available in three finishes – white, black, aluminum
- Range of adaptors, power supply connections and mounting accessories available

3-circuit Square RCS750

Application

- Retail
- Indoor architectural lighting

Versions

ZRS750 CPF BK (XTS23-2)



ZRS750 CPS BK (XTS14-2)



ZRS750 TCPR WH (XTS36-3)



ZRS750 CCPE BK (XTS35-2)



ZRS750 CPF WH (XTS23-3)



ZRS750 EPSR BK (XTS11-2+41-2)



ZRS750 EPSL BK (XTS12-2+41-2)



ZRS750 CPS WH (XTS14-3)



3-circuit Square RCS750

Versions

ZRS750 CCPI WH (XTS34-3)



ZRS750 CPX WH (XTS38-3)



ZRS750 EP BK (XTS41-2)



ZRS750 EP WH (XTS41-3)



ZRS750 ICP WH (XTS21-3)



ZRS750 TCPL WH (XTS39-3)



ZRS750 CS WH (XTSP11-3)



ZRS750 ACP WH (XTS24-3)



3-circuit Square RCS750

Versions

ZRS750 3C BA WH (GA70-3)



ZRS750 CCPE WH (XTS35-3)



ZRS750 EPSL WH (XTS12-3+41-3)



ZRS750 TCPR BK (XTS36-2)



ZRS700 SPCL ALU SUSP CLAMP L (SKB18-1)



RCS750 track, black



ZCS750 5C6 CPF BK (XTSC623-2)



ZRS700 MBW6 ALU WALL BRACKET (SKB21-1)



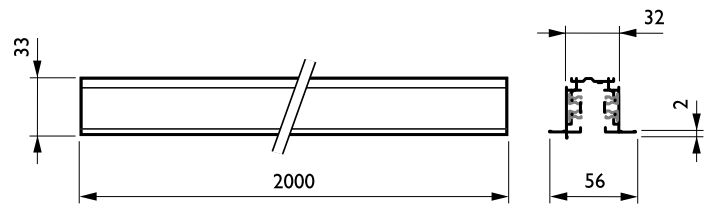
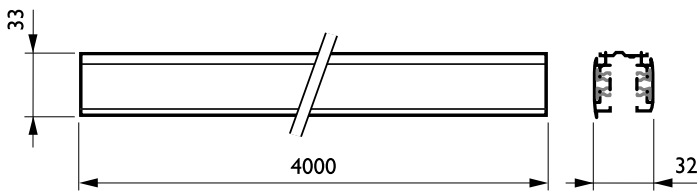
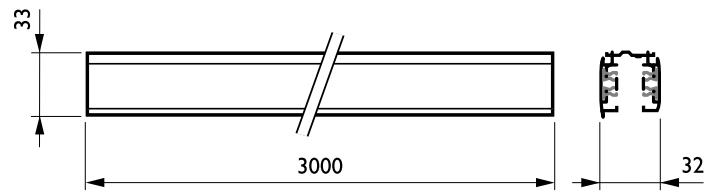
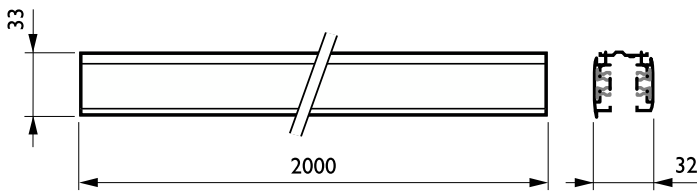
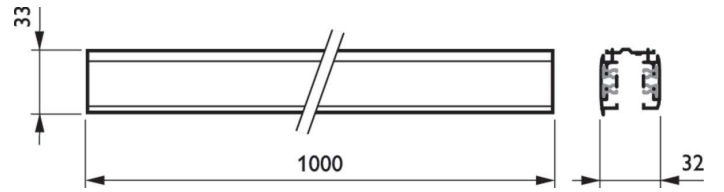
3-circuit Square RCS750

Versions

ZRS750 ICP BK (XTS21-2)

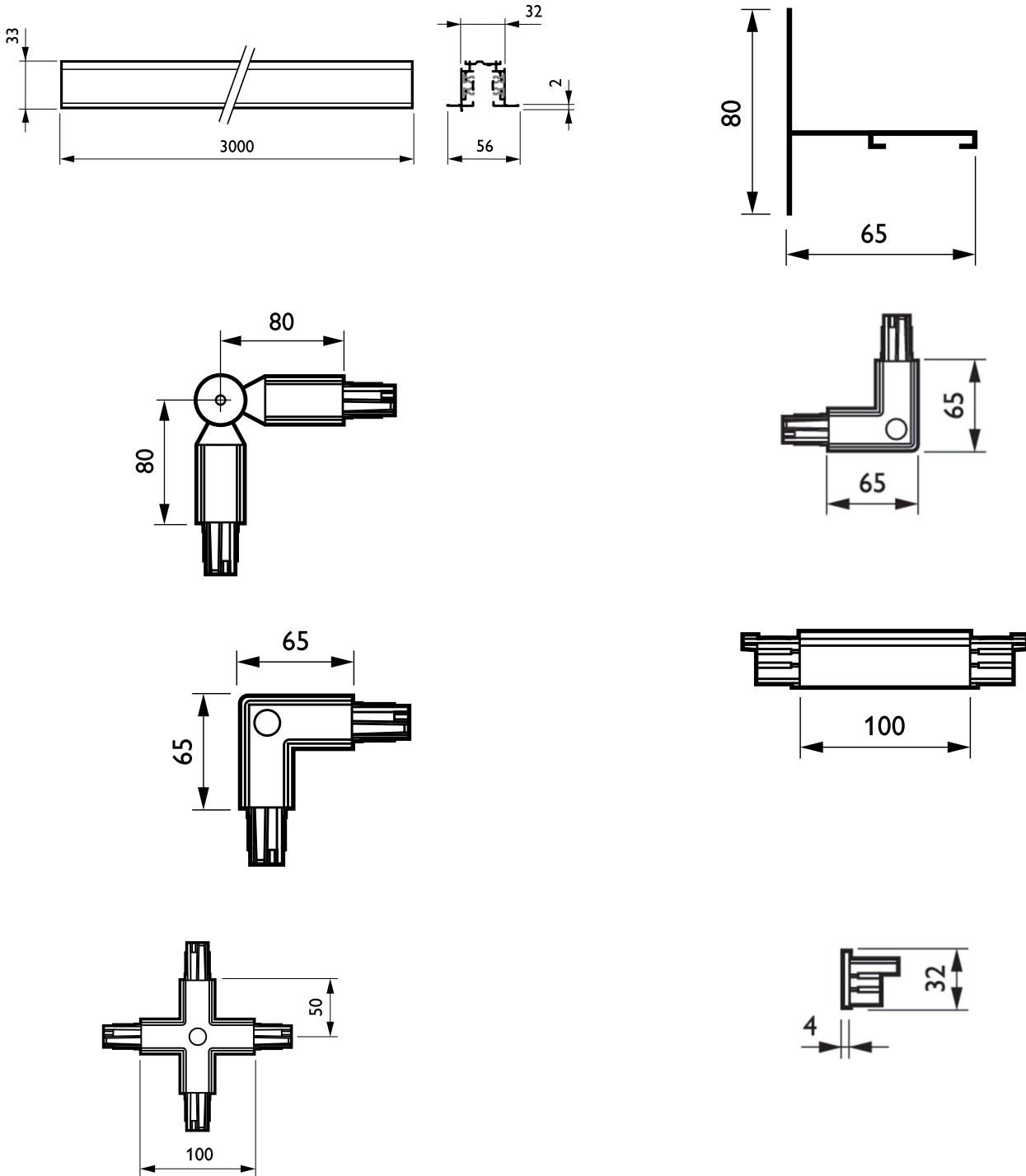


Dimensional drawing



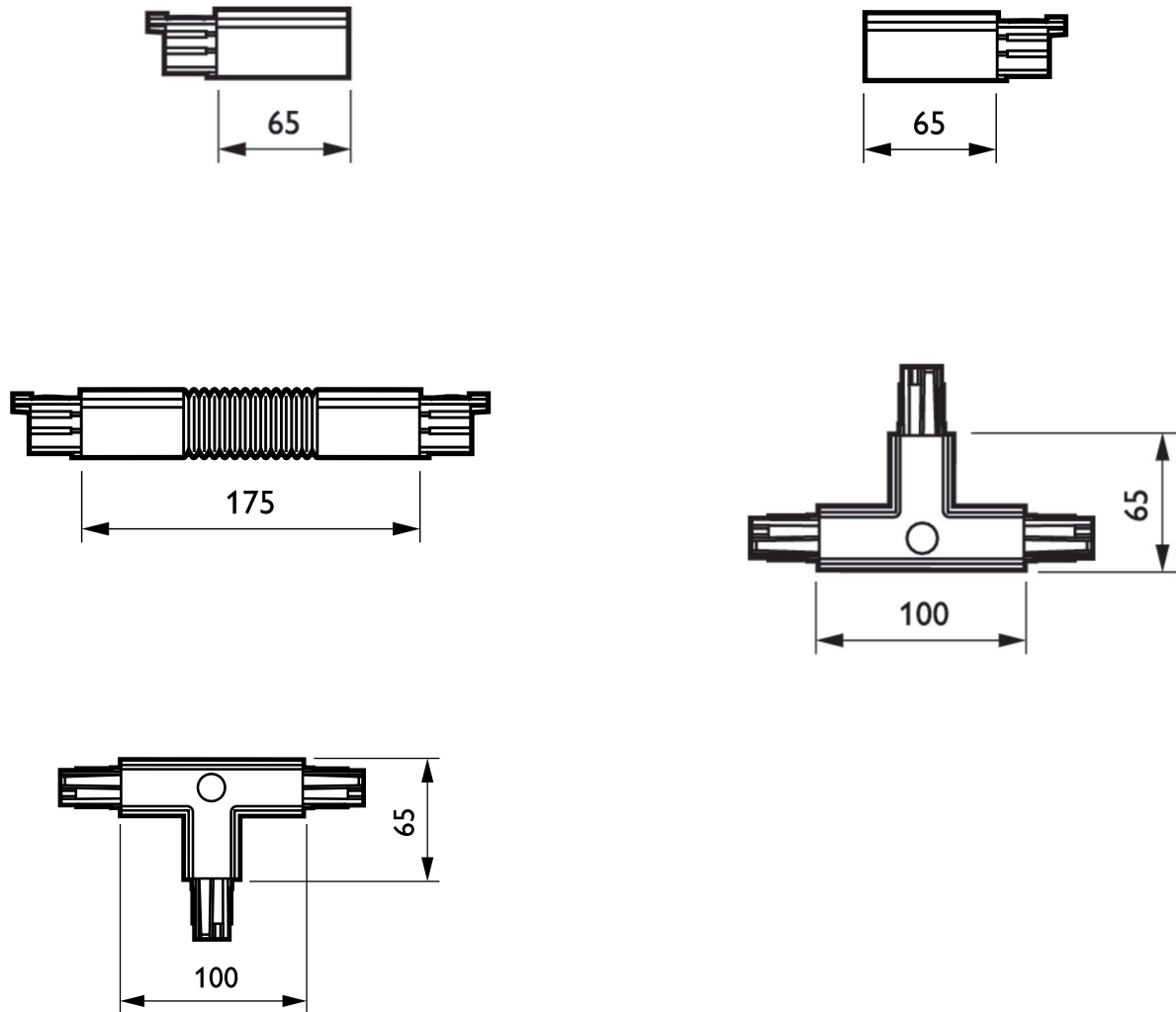
3-circuit Square RCS750

Dimensional drawing



3-circuit Square RCS750

Dimensional drawing



3-circuit Square RCS750

Product details



Coupling piece with suspension set



Power supply connector end left



Fish plate connection



Flexible coupling/corner piece



External earth coupling/corner piece outer 90°



End piece

General Information

| Order Code | Full Product Name | Accessory | | |
|--------------|-----------------------------|-----------|----------------|----------------|
| | | color | Glow-wire test | Glow-wire test |
| 910930013618 | ZRS750 CPF BK (XTS23-2) | Black | - | - |
| 910502559118 | ZRS750 CPS BK (XTS14-2) | Black | - | - |
| 910500188015 | ZRS750 TCPR WH (XTS36-3) | White | - | - |
| 910502558818 | ZRS750 CCPE BK (XTS35-2) | Black | - | - |
| 910502558918 | ZRS750 CCPI BK (XTS34-2) | Black | - | - |

| Order Code | Full Product Name | Accessory | | |
|--------------|------------------------------------|-----------|--|--|
| | | color | Glow-wire test | Glow-wire test |
| 910930009118 | RBS750 3C L2000 WH (XTSF4200-3) | White | Temperature 850 °C, duration 5 s | Temperature 850 °C, duration 5 s |
| 910930009318 | RBS750 3C L3000 WH (XTSF4300-3) | White | Temperature 850 °C, duration 5 s | Temperature 850 °C, duration 5 s |
| 910500187515 | ZRS750 CPF WH (XTS23-3) | White | - | - |
| 910502558518 | ZRS750 EPSR BK (XTS11-2+41-2) | Black | - | - |

3-circuit Square RCS750

| Order Code | Full Product Name | Accessory | | |
|--------------|------------------------------------|-----------|--|--|
| | | color | Glow-wire test | Glow-wire test |
| 910500188815 | RCS750 3C L1000 WH (XTS4100-3) | White | Temperature 850 °C, duration 5 s | Temperature 850 °C, duration 5 s |
| 910500188915 | RCS750 3C L2000 WH (XTS4200-3) | White | Temperature 850 °C, duration 5 s | Temperature 850 °C, duration 5 s |
| 910500189015 | RCS750 3C L3000 WH (XTS4300-3) | White | Temperature 850 °C, duration 5 s | Temperature 850 °C, duration 5 s |
| 910500189115 | RCS750 3C L4000 WH (XTS4400-3) | White | Temperature 850 °C, duration 5 s | Temperature 850 °C, duration 5 s |
| 910502558418 | ZRS750 EPSL BK (XTS12-2+41-2) | Black | - | - |
| 910500187615 | ZRS750 CPS WH (XTS14-3) | White | - | - |
| 910500187815 | ZRS750 CCPI WH (XTS34-3) | White | - | - |
| 910500188215 | ZRS750 CPX WH (XTS38-3) | White | - | - |
| 910502558618 | ZRS750 EP BK (XTS41-2) | Black | - | - |
| 910500187715 | ZRS750 EP WH (XTS41-3) | White | - | - |
| 910500188415 | RCS750 3C L1000 ALU (XTS4100-1) | Aluminum | Temperature 850 °C, duration 5 s | Temperature 850 °C, duration 5 s |
| 910500188515 | RCS750 3C L2000 ALU (XTS4200-1) | Aluminum | Temperature 850 °C, duration 5 s | Temperature 850 °C, duration 5 s |
| 910500188615 | RCS750 3C L3000 ALU (XTS4300-1) | Aluminum | Temperature 850 °C, duration 5 s | Temperature 850 °C, duration 5 s |
| 910500188715 | RCS750 3C L4000 ALU (XTS4400-1) | Aluminum | Temperature 850 °C, duration 5 s | Temperature 850 °C, duration 5 s |
| 910500187415 | ZRS750 ICP WH (XTS21-3) | White | - | - |
| 910500188115 | ZRS750 TCPL WH (XTS39-3) | White | - | - |

| Order Code | Full Product Name | Accessory | | |
|--------------|--|-----------|--|--|
| | | color | Glow-wire test | Glow-wire test |
| 910930009518 | ZRS750 CS WH (XTSP11-3) | White | - | - |
| 910500188315 | ZRS750 ACP WH (XTS24-3) | White | - | - |
| 910930009018 | RBS750 3C L2000 ALU (XTSF4200-1) | Aluminum | Temperature 850 °C, duration 5 s | Temperature 850 °C, duration 5 s |
| 910930009218 | RBS750 3C L3000 ALU (XTSF4300-1) | Aluminum | Temperature 850 °C, duration 5 s | Temperature 850 °C, duration 5 s |
| 910930000818 | ZRS750 3C BA WH (GA70-3) | White | - | - |
| 910500187915 | ZRS750 CCPE WH (XTS35-3) | White | - | - |
| 910500187315 | ZRS750 EPSL WH (XTS12-3+41-3) | White | - | - |
| 910502559018 | ZRS750 TCPR BK (XTS36-2) | Black | - | - |
| 914770011915 | ZRS700 SPCL ALU SUSP CLAMP L (SKB18-1) | Aluminum | - | - |
| 910930013218 | RCS750 3C L1000 BK (XTS4100-2) | Black | Temperature 850 °C, duration 5 s | Temperature 850 °C, duration 5 s |
| 910930013318 | RCS750 3C L2000 BK (XTS4200-2) | Black | Temperature 850 °C, duration 5 s | Temperature 850 °C, duration 5 s |
| 910930013418 | RCS750 3C L3000 BK (XTS4300-2) | Black | Temperature 850 °C, duration 5 s | Temperature 850 °C, duration 5 s |
| 910930013518 | RCS750 3C L4000 BK (XTS4400-2) | Black | Temperature 850 °C, duration 5 s | Temperature 850 °C, duration 5 s |
| 910503910042 | ZCS750 5C6 CPF BK (XTSC623-2) | Black | - | - |
| 914770012015 | ZRS700 MBW6 ALU WALL BRACKET (SKB21-1) | Aluminum | - | - |
| 910502558718 | ZRS750 ICP BK (XTS21-2) | Black | - | - |

Operating and Electrical

| Order Code | Full Product Name | Input Voltage | Input Voltage |
|--------------|---------------------------------|---------------|---------------|
| 910930013618 | ZRS750 CPF BK (XTS23-2) | 250 V | 250 V |
| 910502559118 | ZRS750 CPS BK (XTS14-2) | 250 V | 250 V |
| 910500188015 | ZRS750 TCPR WH (XTS36-3) | - | - |
| 910502558818 | ZRS750 CCPE BK (XTS35-2) | - | - |
| 910502558918 | ZRS750 CCPI BK (XTS34-2) | - | - |
| 910930009118 | RBS750 3C L2000 WH (XTSF4200-3) | - | - |
| 910930009318 | RBS750 3C L3000 WH (XTSF4300-3) | - | - |

| Order Code | Full Product Name | Input Voltage | Input Voltage |
|--------------|--------------------------------|---------------|---------------|
| 910500187515 | ZRS750 CPF WH (XTS23-3) | - | - |
| 910502558518 | ZRS750 EPSR BK (XTS11-2+41-2) | 250 V | 250 V |
| 910500188815 | RCS750 3C L1000 WH (XTS4100-3) | - | - |
| 910500188915 | RCS750 3C L2000 WH (XTS4200-3) | - | - |
| 910500189015 | RCS750 3C L3000 WH (XTS4300-3) | - | - |
| 910500189115 | RCS750 3C L4000 WH (XTS4400-3) | - | - |
| 910502558418 | ZRS750 EPSL BK (XTS12-2+41-2) | 250 V | 250 V |

3-circuit Square RCS750

| Order Code | Full Product Name | Input Voltage | Input Voltage |
|--------------|----------------------------------|---------------|---------------|
| 910500187615 | ZRS750 CPS WH (XTS14-3) | 250 V | 250 V |
| 910500187815 | ZRS750 CCPI WH (XTS34-3) | - | - |
| 910500188215 | ZRS750 CPX WH (XTS38-3) | - | - |
| 910502558618 | ZRS750 EP BK (XTS41-2) | - | - |
| 910500187715 | ZRS750 EP WH (XTS41-3) | - | - |
| 910500188415 | RCS750 3C L1000 ALU (XTS4100-1) | - | - |
| 910500188515 | RCS750 3C L2000 ALU (XTS4200-1) | - | - |
| 910500188615 | RCS750 3C L3000 ALU (XTS4300-1) | - | - |
| 910500188715 | RCS750 3C L4000 ALU (XTS4400-1) | - | - |
| 910500187415 | ZRS750 ICP WH (XTS21-3) | - | - |
| 910500188115 | ZRS750 TCPL WH (XTS39-3) | - | - |
| 910930009518 | ZRS750 CS WH (XTSP11-3) | - | - |
| 910500188315 | ZRS750 ACP WH (XTS24-3) | - | - |
| 910930009018 | RBS750 3C L2000 ALU (XTSF4200-1) | - | - |
| 910930009218 | RBS750 3C L3000 ALU (XTSF4300-1) | - | - |

| Order Code | Full Product Name | Input Voltage | Input Voltage |
|--------------|---|---------------|---------------|
| 910930000818 | ZRS750 3C BA WH (GA70-3) | 250 V | 250 V |
| 910500187915 | ZRS750 CCPE WH (XTS35-3) | - | - |
| 910500187315 | ZRS750 EPSL WH (XTS12-3+41-3) | 250 V | 250 V |
| 910502559018 | ZRS750 TCPR BK (XTS36-2) | - | - |
| 914770011915 | ZRS700 SPCL ALU SUSP CLAMP L (SKB18-1) | - | - |
| 910930013218 | RCS750 3C L1000 BK (XTS4100-2) | - | - |
| 910930013318 | RCS750 3C L2000 BK (XTS4200-2) | - | - |
| 910930013418 | RCS750 3C L3000 BK (XTS4300-2) | - | - |
| 910930013518 | RCS750 3C L4000 BK (XTS4400-2) | - | - |
| 910503910042 | ZCS750 5C6 CPF BK (XTSC623-2) | - | - |
| 914770012015 | ZRS700 MBW6 ALU WALL BRACKET (SKB21-1) | - | - |
| 910502558718 | ZRS750 ICP BK (XTS21-2) | 250 V | 250 V |

Approval and Application

| Order Code | Full Product Name | Protection class IEC | Protection class IEC | Ingress protection code | Ingress protection code |
|--------------|---------------------------------|----------------------|----------------------|-------------------------|-------------------------|
| 910930013618 | ZRS750 CPF BK (XTS23-2) | - | - | - | - |
| 910502559118 | ZRS750 CPS BK (XTS14-2) | - | - | - | - |
| 910500188015 | ZRS750 TCPR WH (XTS36-3) | - | - | - | - |
| 910502558818 | ZRS750 CCPE BK (XTS35-2) | - | - | - | - |
| 910502558918 | ZRS750 CCPI BK (XTS34-2) | - | - | - | - |
| 910930009118 | RBS750 3C L2000 WH (XTSF4200-3) | Safety class I | Safety class I | IP30 | IP30 |
| 910930009318 | RBS750 3C L3000 WH (XTSF4300-3) | Safety class I | Safety class I | IP30 | IP30 |
| 910500187515 | ZRS750 CPF WH (XTS23-3) | - | - | - | - |
| 910502558518 | ZRS750 EPSR BK (XTS11-2+41-2) | - | - | - | - |
| 910500188815 | RCS750 3C L1000 WH (XTS4100-3) | Safety class I | Safety class I | IP30 | IP30 |
| 910500188915 | RCS750 3C L2000 WH (XTS4200-3) | Safety class I | Safety class I | IP30 | IP30 |
| 910500189015 | RCS750 3C L3000 WH (XTS4300-3) | Safety class I | Safety class I | IP30 | IP30 |
| 910500189115 | RCS750 3C L4000 WH (XTS4400-3) | Safety class I | Safety class I | IP30 | IP30 |
| 910502558418 | ZRS750 EPSL BK (XTS12-2+41-2) | - | - | - | - |
| 910500187615 | ZRS750 CPS WH (XTS14-3) | - | - | - | - |

| Order Code | Full Product Name | Protection class IEC | Protection class IEC | Ingress protection code | Ingress protection code |
|--------------|----------------------------------|----------------------|----------------------|-------------------------|-------------------------|
| 910500187815 | ZRS750 CCPI WH (XTS34-3) | - | - | - | - |
| 910500188215 | ZRS750 CPX WH (XTS38-3) | - | - | - | - |
| 910502558618 | ZRS750 EP BK (XTS41-2) | - | - | - | - |
| 910500187715 | ZRS750 EP WH (XTS41-3) | - | - | - | - |
| 910500188415 | RCS750 3C L1000 ALU (XTS4100-1) | Safety class I | Safety class I | IP30 | IP30 |
| 910500188515 | RCS750 3C L2000 ALU (XTS4200-1) | Safety class I | Safety class I | IP30 | IP30 |
| 910500188615 | RCS750 3C L3000 ALU (XTS4300-1) | Safety class I | Safety class I | IP30 | IP30 |
| 910500188715 | RCS750 3C L4000 ALU (XTS4400-1) | Safety class I | Safety class I | IP30 | IP30 |
| 910500187415 | ZRS750 ICP WH (XTS21-3) | - | - | - | - |
| 910500188115 | ZRS750 TCPL WH (XTS39-3) | - | - | - | - |
| 910930009518 | ZRS750 CS WH (XTSP11-3) | - | - | - | - |
| 910500188315 | ZRS750 ACP WH (XTS24-3) | - | - | - | - |
| 910930009018 | RBS750 3C L2000 ALU (XTSF4200-1) | Safety class I | Safety class I | IP30 | IP30 |
| 910930009218 | RBS750 3C L3000 ALU (XTSF4300-1) | Safety class I | Safety class I | IP30 | IP30 |
| 910930000818 | ZRS750 3C BA WH (GA70-3) | - | - | - | - |

3-circuit Square RCS750

| Order Code | Full Product Name | Protection class IEC | Protection class IEC | Ingress protection code | Ingress protection code |
|--------------|--|----------------------|----------------------|-------------------------|-------------------------|
| 910500187915 | ZRS750 CCPE WH (XTS35-3) | - | - | - | - |
| 910500187315 | ZRS750 EPSL WH (XTS12-3+41-3) | - | - | - | - |
| 910502559018 | ZRS750 TCPR BK (XTS36-2) | - | - | - | - |
| 914770011915 | ZRS700 SPCL ALU SUSP CLAMP L (SKB18-1) | - | - | - | - |
| 910930013218 | RCS750 3C L1000 BK (XTS4100-2) | Safety class I | Safety class I | IP30 | IP30 |
| 910930013318 | RCS750 3C L2000 BK (XTS4200-2) | Safety class I | Safety class I | IP30 | IP30 |

| Order Code | Full Product Name | Protection class IEC | Protection class IEC | Ingress protection code | Ingress protection code |
|--------------|--|----------------------|----------------------|-------------------------|-------------------------|
| 910930013418 | RCS750 3C L3000 BK (XTS4300-2) | Safety class I | Safety class I | IP30 | IP30 |
| 910930013518 | RCS750 3C L4000 BK (XTS4400-2) | Safety class I | Safety class I | IP30 | IP30 |
| 910503910042 | ZCS750 5C6 CPF BK (XTSC623-2) | - | - | - | - |
| 914770012015 | ZRS700 MBW6 ALU WALL BRACKET (SKB21-1) | - | - | - | - |
| 910502558718 | ZRS750 ICP BK (XTS21-2) | - | - | - | - |

