



The new generation of energy-saving T5 tube lighting

MASTER LEDtube InstantFit HF T5

Philips MASTER LEDtube InstantFit T5 integrates a LED light source into a traditional fluorescent form factor. Its unique design creates a perfectly uniform visual appearance which cannot be distinguished from traditional fluorescents. The Philips MASTER LEDtube InstantFit T5 is the ideal solution for customers who have higher light output requirements and want to maximise value over the lifetime. The full energy savings & longer lifetime result in attractive payback times and TCO benefits.

Benefits

- Reduced operational cost thanks to lower energy consumption
- Lower maintenance cost thanks to 2-3 times longer lifetime than normal fluorescent tubes
- The fastest and easiest way to upgrade existing luminaires to LED technology, with a 100% safe installation process

Features

- A retrofit replacement for existing T5 lamps on HF ballast installations
- HF compatibility: no wires to replace, no hassle changing drivers; our InstantFit solution works with High Frequency electronic ballasts, making it easy and safe for all installation methods
- Electronic Pin safety: with Philips products you can safely touch the other end-cap when installing the tube. The integrated driver is also safely isolated from touchable parts. Philips LED tubes adhere to all UL and IEC pin safety requirements

Application

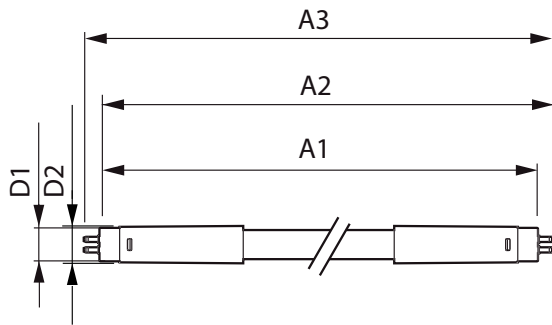
- The ideal solution for demanding applications with a need for extra energy savings: office, school, retail

MASTER LEDtube InstantFit HF T5

Versions



Dimensional drawing



Product	D1	D2	A1	A2	A3
Master LEDtube HF 1200mm HE 16.5W 840 T5	15.5 mm	18.8 mm	1149 mm	1156.1 mm	1163.2 mm
Master LEDtube HF 1500mm HO 26W 840 T5	15.2 mm	21 mm	1447.8 mm	1454.9 mm	1462 mm
Master LEDtube HF 1200mm HO 26W 840 T5	15.2 mm	21 mm	1147.8 mm	1154.9 mm	1162 mm
Master LEDtube HF 1500mm UO 36W 840 T5	15.2 mm	21 mm	1447.8 mm	1454.9 mm	1462 mm
Master LEDtube HF 1500mm UO 36W 865 T5	15.2 mm	21 mm	1447.8 mm	1454.9 mm	1462 mm
Master LEDtube HF 600mm HE 8W 840 T5	15.5 mm	18.8 mm	549 mm	556.1 mm	563.2 mm
Master LEDtube HF 1500mm HE 20W 840 T5	15.5 mm	18.8 mm	1449 mm	1456.1 mm	1463.2 mm

MASTER LEDtube InstantFit HF T5

Controls and Dimming

Dimmable	No
----------	----

Operating and Electrical

Starting Time (Nom)	0.5 s
---------------------	-------

General Information

Cap-Base	G5
Nominal Lifetime (Nom)	50000 h
Switching Cycle	50,000X

Light Technical

Colour Rendering Index (Nom)	83
Llmf At End Of Nominal Lifetime (Nom)	70 %

Mechanical and Housing

Bulb Shape	Tube, double-ended
------------	--------------------

Temperature

T-Ambient (Max)	45 °C
T-Ambient (Min)	-20 °C
T-Storage (Max)	65 °C
T-Storage (Min)	-40 °C

Approval and Application

Order Code	Full Product Name	Energy Consumption kWh/1000 h	Energy Efficiency Label (EEL)
68554900	Master LEDtube HF 1500mm HO 26W 840 T5	31 kWh	A++
70529200	Master LEDtube HF 1200mm HO 26W 840 T5	31 kWh	A++
70603900	Master LEDtube HF 1500mm UO 36W 840 T5	42 kWh	A++
70605300	Master LEDtube HF 1500mm UO 36W 865 T5	42 kWh	A++
74325600	Master LEDtube HF 600mm HE 8W 840 T5	10 kWh	A+
74331700	Master LEDtube HF 1200mm HE 16.5W 840 T5	20 kWh	A++
74337900	Master LEDtube HF 1500mm HE 20W 840 T5	24 kWh	A++

Operating and Electrical

Order Code	Full Product Name	Input Frequency	Voltage (Nom)	Power (Rated) (Nom)
68554900	Master LEDtube HF 1500mm HO 26W 840 T5	39000-60000 Hz	100-135 V	26 W
70529200	Master LEDtube HF 1200mm HO 26W 840 T5	35000-80000 Hz	50-60 V	26 W
70603900	Master LEDtube HF 1500mm UO 36W 840 T5	40000-75000 Hz	65-75 V	36 W
70605300	Master LEDtube HF 1500mm UO 36W 865 T5	40000-75000 Hz	65-75 V	36 W

Order Code	Full Product Name	Input Frequency	Voltage (Nom)	Power (Rated) (Nom)
74325600	Master LEDtube HF 600mm HE 8W 840 T5	35000-70000 Hz	40-60 V	8 W
74331700	Master LEDtube HF 1200mm HE 16.5W 840 T5	35000-70000 Hz	90-130 V	16.5 W
74337900	Master LEDtube HF 1500mm HE 20W 840 T5	35000-70000 Hz	120-160 V	20 W

Light Technical

Order Code	Full Product Name	Beam Angle (Nom)	Correlated Colour		
			Colour Code	Temperature (Nom)	Luminous Flux (Nom)
68554900	Master LEDtube HF 1500mm HO 26W 840 T5	200 °	840	4000 K	3900 lm
70529200	Master LEDtube HF 1200mm HO 26W 840 T5	160 °	840	4000 K	3900 lm

Order Code	Full Product Name	Beam Angle (Nom)	Correlated Colour		
			Colour Code	Temperature (Nom)	Luminous Flux (Nom)
70603900	Master LEDtube HF 1500mm UO 36W 840 T5	160 °	840	4000 K	5600 lm
70605300	Master LEDtube HF 1500mm UO 36W 865 T5	160 °	865	6500 K	5600 lm

MASTER LEDtube InstantFit HF T5

Order Code	Full Product Name	Beam		Correlated Colour	
		Angle (Nom)	Colour Code	Temperature (Nom)	Luminous Flux (Nom)
74325600	Master LEDtube HF 600mm HE 8W 840 T5	200 °	840	4000 K	1050 lm
74331700	Master LEDtube HF 1200mm HE 16.5W 840 T5	200 °	840	4000 K	2500 lm

Order Code	Full Product Name	Beam		Correlated Colour	
		Angle (Nom)	Colour Code	Temperature (Nom)	Luminous Flux (Nom)
74337900	Master LEDtube HF 1500mm HE 20W 840 T5	200 °	840	4000 K	3000 lm

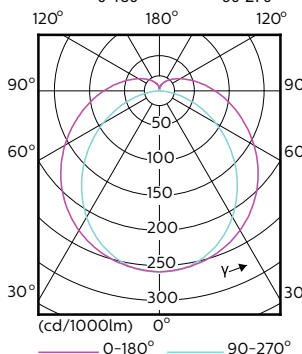
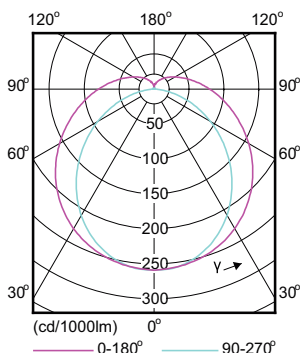
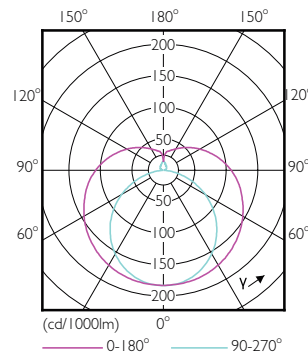
Mechanical and Housing

Order Code	Full Product Name	Bulb Finish
68554900	Master LEDtube HF 1500mm HO 26W 840 T5	Frosted
70529200	Master LEDtube HF 1200mm HO 26W 840 T5	-
70603900	Master LEDtube HF 1500mm UO 36W 840 T5	-
70605300	Master LEDtube HF 1500mm UO 36W 865 T5	Frosted

Order Code	Full Product Name	Bulb Finish
74325600	Master LEDtube HF 600mm HE 8W 840 T5	-
74331700	Master LEDtube HF 1200mm HE 16.5W 840 T5	-
74337900	Master LEDtube HF 1500mm HE 20W 840 T5	-

Temperature

Order Code	Full Product Name	T-Case Maximum (Nom)
68554900	Master LEDtube HF 1500mm HO 26W 840 T5	45 °C
70529200	Master LEDtube HF 1200mm HO 26W 840 T5	45 °C
70603900	Master LEDtube HF 1500mm UO 36W 840 T5	45 °C
70605300	Master LEDtube HF 1500mm UO 36W 865 T5	45 °C
74325600	Master LEDtube HF 600mm HE 8W 840 T5	65 °C
74331700	Master LEDtube HF 1200mm HE 16.5W 840 T5	65 °C
74337900	Master LEDtube HF 1500mm HE 20W 840 T5	65 °C



MASTER LEDtube InstantFit HF T5

