



# Classic look & feel

## Classic frosted LED Lamps

Featuring a classic heritage design, LED frosted Classic bulbs deliver beautiful, decorative warm-white light while saving around 90% on energy costs. The familiar shapes of the LED frosted Classic lamps are a perfect fit for your existing fixtures.

### Benefits

- Around 90% energy saving
- Very long lifetime that reduces the need for replacement
- Easy replacement of classic conventional lamps

### Features

- Pure and elegant heritage design with classic shape
- Perfect fit and high quality finishing
- High color rendering (CRI > 80) for vivid colors
- Environmentally friendly: contains no mercury or other hazardous substances
- Instant full light on: Philips LED light bulbs provide their full level of brightness immediately upon switching on

### Application

- Domestic applications
- Hospitality: restaurants and hotels

# Classic frosted LED Lamps

## Versions

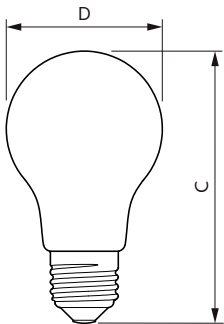
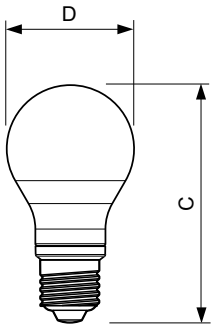


E27 A60 Frosted



E27 A 60mm Frosted

## Dimensional drawing



| Product                                 | D     | C      |
|---|-------|--------|
| LED classic 40W A60 E27 WW FR ND 2BC/10 | 60 mm | 110 mm |
| LEDClassic 60W A60 E27 WW ND 2BC/10     | 60 mm | 110 mm |
| LED classic 60W A60 E27 WW FR ND 1CT/10 | 60 mm | 110 mm |
| LED classic 40W A60 E27 WW FR ND 1CT/10 | 60 mm | 110 mm |

| Product                                 | D     | C      |
|---|-------|--------|
| LED classic 75W A60 E27 WW FR ND 1CT/10 | 60 mm | 110 mm |

# Classic frosted LED Lamps

## Controls and Dimming

|          |    |
|----------|----|
| Dimmable | No |
|----------|----|

## Operating and Electrical

|                     |           |
|---------------------|-----------|
| Voltage (Nom)       | 220-240 V |
| Starting Time (Nom) | 0.5 s     |

## General Information

|                        |         |
|------------------------|---------|
| Cap-Base               | E27     |
| Nominal Lifetime (Nom) | 15000 h |
| Switching Cycle        | 30000X  |

## Light Technical

|                                       |        |
|---------------------------------------|--------|
| Color Code                            | 827    |
| Correlated Color Temperature (Nom)    | 2700 K |
| Color Rendering Index (Nom)           | 80     |
| Llmf At End Of Nominal Lifetime (Nom) | 70 %   |

## Mechanical and Housing

|             |         |
|-------------|---------|
| Bulb Finish | Frosted |
| Bulb Shape  | A60     |

## Approval and Application

| Order Code   | Full Product Name                       | Energy Consumption kWh/1000 h | Energy Efficiency Label (EEL) |
|--------------|---|-------------------------------|-------------------------------|
| 929001242901 | LED classic 40W A60 E27 WW FR ND 2BC/10 | 5 kWh                         | A+                            |
| 929001242982 | LED classic 40W A60 E27 WW FR ND 1CT/10 | 5 kWh                         | A++                           |
| 929001243031 | LEDClassic 60W A60 E27 WW ND 2BC/10     | 7 kWh                         | A++                           |
| 929001243082 | LED classic 60W A60 E27 WW FR ND 1CT/10 | 7 kWh                         | A++                           |
| 929001286331 | LED classic 75W A60 E27 WW FR ND 1CT/10 | 9 kWh                         | A++                           |

## Operating and Electrical

| Order Code   | Full Product Name                       | Input Frequency | Wattage Equivalent | Power (Rated) (Nom) |
|--------------|---|-----------------|--------------------|---------------------|
| 929001242901 | LED classic 40W A60 E27 WW FR ND 2BC/10 | 50 to 60 Hz     | 40 W               | 5 W                 |
| 929001242982 | LED classic 40W A60 E27 WW FR ND 1CT/10 | 50 Hz           | -                  | 4.5 W               |
| 929001243031 | LEDClassic 60W A60 E27 WW ND 2BC/10     | 50 to 60 Hz     | 60 W               | 7 W                 |

| Order Code   | Full Product Name                       | Input Frequency | Wattage Equivalent | Power (Rated) (Nom) |
|--------------|---|-----------------|--------------------|---------------------|
| 929001243082 | LED classic 60W A60 E27 WW FR ND 1CT/10 | 50 Hz           | -                  | 7 W                 |
| 929001286331 | LED classic 75W A60 E27 WW FR ND 1CT/10 | 50 to 60 Hz     | 75 W               | 8.5 W               |

## Light Technical

| Order Code   | Full Product Name                       | Beam Angle (Nom) | Luminous Flux (Nom) |
|--------------|---|------------------|---------------------|
| 929001242901 | LED classic 40W A60 E27 WW FR ND 2BC/10 | 300 °            | 470 lm              |
| 929001242982 | LED classic 40W A60 E27 WW FR ND 1CT/10 | -                | 470 lm              |
| 929001243031 | LEDClassic 60W A60 E27 WW ND 2BC/10     | 300 °            | 806 lm              |

| Order Code   | Full Product Name                       | Beam Angle (Nom) | Luminous Flux (Nom) |
|--------------|---|------------------|---------------------|
| 929001243082 | LED classic 60W A60 E27 WW FR ND 1CT/10 | -                | 806 lm              |
| 929001286331 | LED classic 75W A60 E27 WW FR ND 1CT/10 | -                | 1055 lm             |

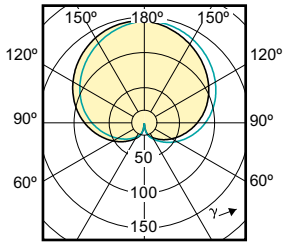
## Temperature

| Order Code   | Full Product Name                       | T-Case Maximum (Nom) |
|--------------|---|----------------------|
| 929001242901 | LED classic 40W A60 E27 WW FR ND 2BC/10 | 98 °C                |
| 929001242982 | LED classic 40W A60 E27 WW FR ND 1CT/10 | 50 °C                |

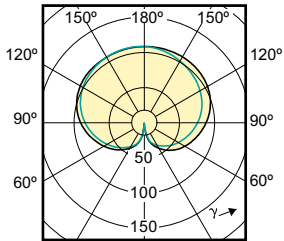
| Order Code   | Full Product Name                       | T-Case Maximum (Nom) |
|--------------|---|----------------------|
| 929001243031 | LEDClassic 60W A60 E27 WW ND 2BC/10     | 90 °C                |
| 929001243082 | LED classic 60W A60 E27 WW FR ND 1CT/10 | 50 °C                |

# Classic frosted LED Lamps

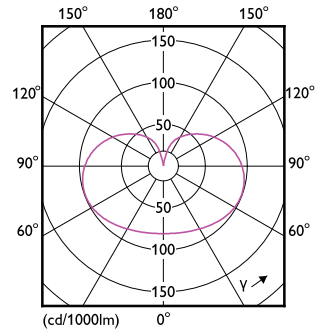
| Order Code   | Full Product Name                       | T-Case Maximum (Nom) |
|--------------|---|----------------------|
| 929001286331 | LED classic 75W A60 E27 WW FR ND 1CT/10 | 50 °C                |



(cd/1000lm) 0° L.O.R.=1.00  
 — 0-180° — 90-270°



(cd/1000lm) 0° L.O.R.=1.00  
 — 0-180° — 90-270°



(cd/1000lm) 0°

