



# Create a warm, welcoming ambience with superior-quality lighting

## MASTER LEDspot ExpertColor LV

MASTER LEDspot LV ExpertColor creates a warm and comfortable ambience for hospitality venues, homes and restaurants. It creates such an ambience with superior lighting that has a customised spectrum, high CRI and deep dimming feature. The result? A beautiful lighting experience. What's more, the innovative, trimless lens design will suit almost any interior decor with its clean and neat look. In addition, you can take advantage of the full ExpertColor family, which also includes LEDspot MV and LEDspot Par lamps.

### Benefits

- Create warm and comfortable ambience
- Interior decor, furnishings and fabrics look great
- Hassle-free retrofit solution for greater energy efficiency and sustainability

### Features

- Customised colour spectrum replicates halogen light colour
- Trimless design with beautiful V-groove lens
- Best-in-class colour realisation CRI97, R9>85
- Deep and smooth dimming with broad transformer compatibility
- Retrofit with low-voltage MR16 halogen lamps with GU5.3 socket

# MASTER LEDspot ExpertColor LV

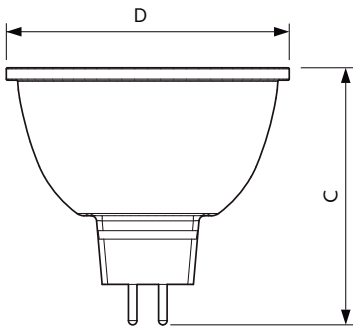
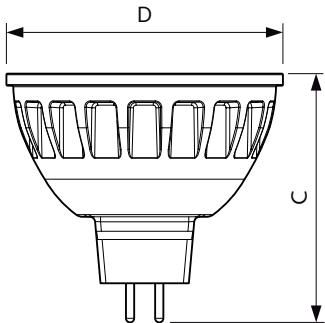
## Application

- Hospitality: hotel guest room, corridors, lobby, reception area, restaurants, bars, cafes
- Home: living room, bedrooms, hallway
- Retail: exhibitions, display cabinets, shops, dressing rooms

## Versions



## Dimensional drawing



Product	D	C
MASTER LED ExpertColor LED MR16 ExpertColor 7.2-50W 940 10D	51 mm	46 mm
MASTER LED ExpertColor LED MR16 ExpertColor 7.2-50W 940 24D	51 mm	46 mm

Product	D	C
MASTER LED ExpertColor LED MR16 ExpertColor 7.2-50W 930 60D	50.5 mm	46 mm

# MASTER LEDspot ExpertColor LV

## Controls and Dimming

Dimmable	Yes
----------	-----

## Operating and Electrical

Voltage (Nom)	12 V
Wattage Equivalent	50 W
Power (Rated) (Nom)	7.2 W
Starting Time (Nom)	0.5 s

## General Information

Cap-Base	GU5.3
Nominal Lifetime (Nom)	40000 h
Rated Lifetime (Hours)	40000 h
Switching Cycle	50000X

## Light Technical

Colour Rendering Index (Nom)	97
Llmf At End Of Nominal Lifetime (Nom)	70 %
Luminous Flux (Nom)	480 lm
Luminous Flux (Rated) (Nom)	480 lm

## Mechanical and Housing

Bulb Shape	MR16
------------	------

## Temperature

T-Case Maximum (Nom)	92 °C
----------------------	-------

## Approval and Application

Order Code	Full Product Name	Energy Efficiency Label (EEL)
929001242108	MASTER LED ExpertColor LED MR16 ExpertColor 7.2-50W 940 10D	-
929001242408	MASTER LED ExpertColor LED MR16 ExpertColor 7.2-50W 940 24D	-
929001341508	MASTER LED ExpertColor LED MR16 ExpertColor 7.2-50W 930 60D	Not applicable

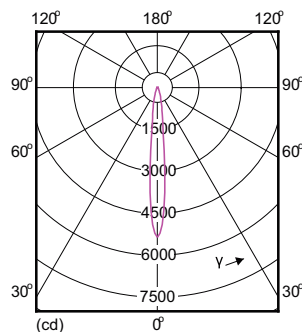
## Light Technical (1/2)

Order Code	Full Product Name	Beam Angle (Nom)	Colour Code	Correlated	Luminous Intensity (Nom)
				Colour Temperature (Nom)	
929001242108	MASTER LED ExpertColor LED MR16 ExpertColor 7.2-50W 940 10D	10 °	940	4000 K	5000 cd
929001242408	MASTER LED ExpertColor LED MR16 ExpertColor 7.2-50W 940 24D	24 °	940	4000 K	2400 cd

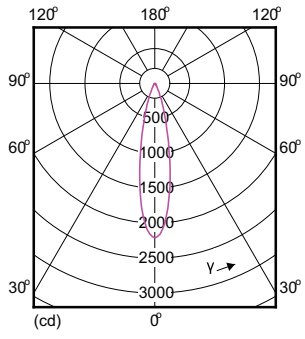
Order Code	Full Product Name	Beam Angle (Nom)	Colour Code	Correlated	Luminous Intensity (Nom)
				Colour Temperature (Nom)	
929001341508	MASTER LED ExpertColor LED MR16 ExpertColor 7.2-50W 930 60D	60 °	930	3000 K	440 cd

## Light Technical (2/2)

Order Code	Full Product Name	Rated Beam Angle
929001242108	MASTER LED ExpertColor LED MR16 ExpertColor 7.2-50W 940 10D	10 °
929001242408	MASTER LED ExpertColor LED MR16 ExpertColor 7.2-50W 940 24D	24 °
929001341508	MASTER LED ExpertColor LED MR16 ExpertColor 7.2-50W 930 60D	60 °

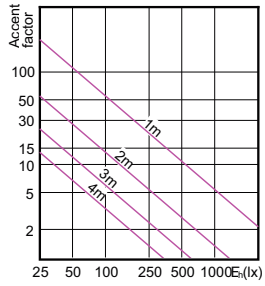


# MASTER LEDspot ExpertColor LV

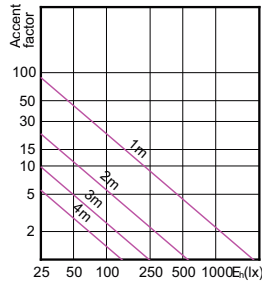


# MASTER LEDspot ExpertColor LV

## Accent Diagrams



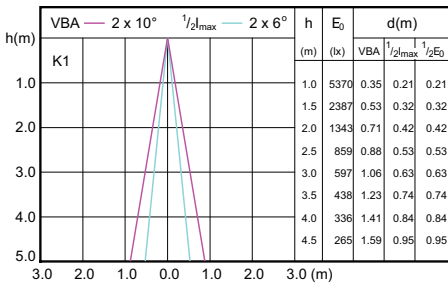
MAS LED ExpertColor 7.2-50W MR16 GU5.3  
940 10D



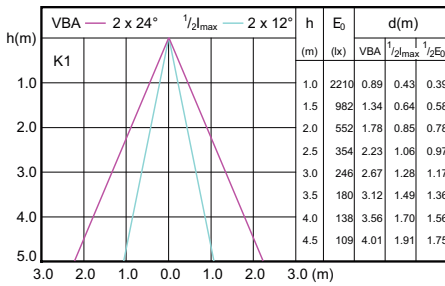
MAS LED ExpertColor 7.2-50W MR16 GU5.3  
940 24D

Master LEDspot ExpertColor LV 50W GU5.3 930  
60D

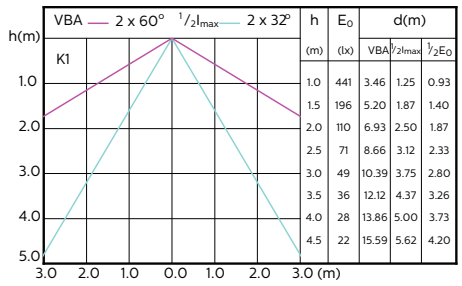
## Beam Diagrams



MAS LED ExpertColor 7.2-50W MR16 GU5.3  
940 10D



MAS LED ExpertColor 7.2-50W MR16 GU5.3  
940 24D



Master LEDspot ExpertColor LV 50W GU5.3 930  
60D

