



Flowing with subtlety

UrbanWave brackets

The UrbanWave collection adds subtle design to a set of luminaires and an environment, by night as well as by day. The design is contemporary, stands out in its simplicity and provides great lighting efficiency.

Benefits

- Compatible with our Accante range of conical poles
- Compatible with all Philips standard and advanced public lighting systems

Features

- Available in single arm, double arm, pole-mounting and wall-mounting versions
- Optional luminous cap on the backside of the bracket
- Length range: 750 or 1200mm
- Luminaire fixing: side-entry

Application

- City centers, commercial districts
- Roads and streets

Versions

URBANWAVE SA BRACKET-
JRB435 S1200 D60



URBANWAVE DA BRACKET-
JRB435 S750 D48



UrbanWave brackets

Versions

URBANWAVE DA BRACKET-
JRB435 S750 D60



URBANWAVE POLE OR WALL
BRACKET-JRB435 S750 D60



URBANWAVE DA BRACKET-
JRB435 S1200 D60



URBANWAVE SA BRACKET-
JRB435 S750 D60



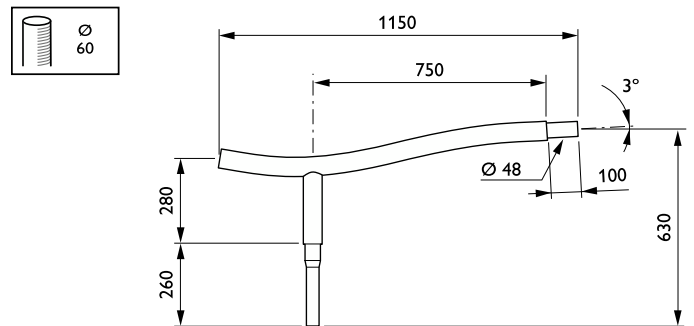
URBANWAVE SA BRACKET-
JRB435 S750 D48



Dimensional drawing

UrbanWave brackets

Dimensional drawing



UrbanWave brackets

