



Your everyday LEDspot MR16

Essential LEDspot MR16

Essential LEDspots MR16 are compatible with most existing fixtures with a GU5.3 socket and are designed as a retrofit replacement for halogen spots. Essential LEDspots MR16 deliver significant energy savings and minimize initial investment.

Benefits

Features

Application

Versions



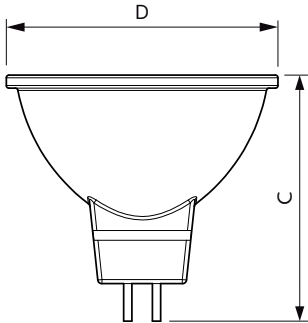
LEDspot GU5.3 MR16



GU5.3 MR16

Essential LEDspot MR16

Dimensional drawing



Product	D	C
Essential LED 5-50W 6500K MR16 24D	50 mm	46 mm
Essential LED 5-50W 2700K MR16 24D	50 mm	46 mm
ESS LED MR16 4.5-50W 36D 830 SO 100-240V	50.5 mm	46.5 mm
ESS LED MR16 4.5-50W 36D 865 SO 100-240V	50.5 mm	46.5 mm

Approval and Application

Energy Efficiency Label (EEL)	A+
-------------------------------	----

Controls and Dimming

Dimmable	No
----------	----

Operating and Electrical

Wattage Equivalent	50 W
--------------------	------

Starting Time (Nom)	0.5 s
---------------------	-------

General Information

Cap-Base	GU5.3
----------	-------

Nominal Lifetime (Nom)	15000 h
------------------------	---------

Switching Cycle	50000X
-----------------	--------

Light Technical

Color Rendering Index (Nom)	80
-----------------------------	----

Llmf At End Of Nominal Lifetime (Nom)	70 %
---------------------------------------	------

Mechanical and Housing

Bulb Shape	MR16
------------	------

Approval and Application

Order Code	Full Product Name	Energy Consumption kWh/1000 h
929001240108	Essential LED 5-50W 2700K MR16 24D	-
929001240208	Essential LED 5-50W 6500K MR16 24D	-
929001874008	ESS LED MR16 4.5-50W 36D 830 SO 100-240V	4.5 kWh
929001874108	ESS LED MR16 4.5-50W 36D 865 SO 100-240V	4.5 kWh

Operating and Electrical

Order Code	Full Product Name	Input Frequency	Voltage (Nom)	Power (Rated) (Nom)
929001240108	Essential LED 5-50W 2700K MR16 24D	-	12 V	5 W
929001240208	Essential LED 5-50W 6500K MR16 24D	-	12 V	5 W

Order Code	Full Product Name	Input Frequency	Voltage (Nom)	Power (Rated) (Nom)
929001874008	ESS LED MR16 4.5-50W 36D 830 SO 100-240V	50 to 60 Hz	100-240 V	4.5 W
929001874108	ESS LED MR16 4.5-50W 36D 865 SO 100-240V	50 to 60 Hz	100-240 V	4.5 W

Light Technical (1/2)

Essential LEDspot MR16

Order Code	Full Product Name	Beam Angle (Nom)	Correlated Color		Luminous Flux (Nom)
			Color Code	Temperature (Nom)	
929001240108	Essential LED 5-50W 2700K MR16 24D	24 °	827	2700 K	400 lm
929001240208	Essential LED 5-50W 6500K MR16 24D	24 °	865	6500 K	435 lm

Order Code	Full Product Name	Beam Angle (Nom)	Correlated Color		Luminous Flux (Nom)
			Color Code	Temperature (Nom)	
929001874008	ESS LED MR16 4.5-50W 36D 830 SO 100-240V	36 °	830	3000 K	400 lm
929001874108	ESS LED MR16 4.5-50W 36D 865 SO 100-240V	36 °	865	6500 K	400 lm

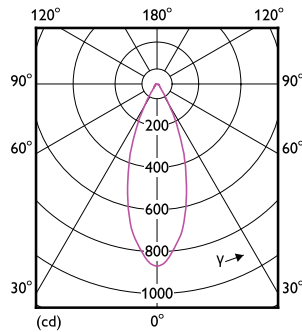
Light Technical (2/2)

Order Code	Full Product Name	Luminous Intensity (Nom)
929001240108	Essential LED 5-50W 2700K MR16 24D	1700 cd
929001240208	Essential LED 5-50W 6500K MR16 24D	1700 cd
929001874008	ESS LED MR16 4.5-50W 36D 830 SO 100-240V	700 cd

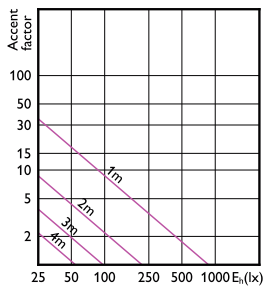
Order Code	Full Product Name	Luminous Intensity (Nom)
929001874108	ESS LED MR16 4.5-50W 36D 865 SO 100-240V	700 cd

Temperature

Order Code	Full Product Name	T-Case Maximum (Nom)
929001240108	Essential LED 5-50W 2700K MR16 24D	76 °C
929001240208	Essential LED 5-50W 6500K MR16 24D	76 °C
929001874008	ESS LED MR16 4.5-50W 36D 830 SO 100-240V	65 °C
929001874108	ESS LED MR16 4.5-50W 36D 865 SO 100-240V	65 °C



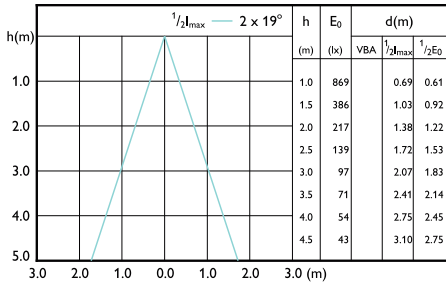
Accent Diagrams



50W GU5-3 MR16 36D 830 3000K

Essential LEDspot MR16

Beam Diagrams



50W GU5-3 MR16 36D 830 3000K

