



# Your everyday LEDspot MR16

## Essential LEDspot MR16

Essential LEDspots MR16 are compatible with most existing fixtures with a GU5.3 socket and are designed as a retrofit replacement for halogen spots. Essential LEDspots MR16 deliver significant energy savings and minimise the initial investment.

### Benefits

- Up to 90 % energy saving compared with traditional halogen lamps
- Lower maintenance costs
- Low initial investment

### Features

- Easy retrofit
- Lifetime up to 15 000 hours
- Non-dimmable
- UV- and IR-free light

### Application

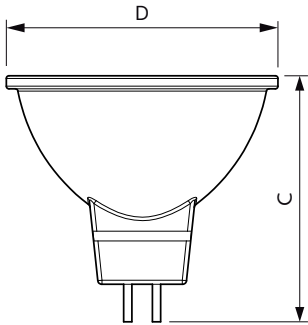
- Hotels, restaurants, bars, cafés, shops
- Lobbies, corridors, stairwells, washrooms, reception areas

# Essential LEDspot MR16

## Versions



## Dimensional drawing



Product	D	C
Essential LED 5-50W 6500K MR16 24D	50 mm	46 mm
Essential LED 5-50W 2700K MR16 24D	50 mm	46 mm
LED spot 5-50W 120D 2700K 220V	50.5 mm	46.5 mm

### Controls and Dimming

Dimmable	No
----------	----

### Operating and Electrical

Wattage Equivalent	50 W
Power (Rated) (Nom)	5 W
Starting Time (Nom)	0.5 s

### General Information

Cap-Base	GU5.3
Switching Cycle	50,000X

### Light Technical

Llmf At End Of Nominal Lifetime (Nom)	70 %
---------------------------------------	------

### Mechanical and Housing

Bulb Shape	MR16
------------	------

## Approval and Application

Order Code	Full Product Name	Energy Consumption kWh/1000 h
929001240108	Essential LED 5-50W 2700K MR16 24D	- kWh
929001240208	Essential LED 5-50W 6500K MR16 24D	- kWh
929001844508	LED spot 5-50W 120D 2700K 220V	5 kWh

## Operating and Electrical

Order Code	Full Product Name	Input Frequency	Voltage (Nom)
929001240108	Essential LED 5-50W 2700K MR16 24D	- Hz	12 V
929001240208	Essential LED 5-50W 6500K MR16 24D	- Hz	12 V

Order Code	Full Product Name	Input Frequency	Voltage (Nom)
929001844508	LED spot 5-50W 120D 2700K 220V	50 to 60 Hz	220 V

# Essential LEDspot MR16

## General Information

Order Code	Full Product Name	Nominal Lifetime (Nom)
929001240108	Essential LED 5-50W 2700K MR16 24D	15000 h
929001240208	Essential LED 5-50W 6500K MR16 24D	15000 h

Order Code	Full Product Name	Nominal Lifetime (Nom)
929001844508	LED spot 5-50W 120D 2700K 220V	10000 h

## Light Technical (1/2)

Order Code	Full Product Name	Beam Angle (Nom)	Colour Code	Correlated	
				Colour Temperature (Nom)	Colour Rendering Index (Nom)
929001240108	Essential LED 5-50W 2700K MR16 24D	24 °	827	2700 K	80
929001240208	Essential LED 5-50W 6500K MR16 24D	24 °	865	6500 K	80

Order Code	Full Product Name	Beam Angle (Nom)	Colour Code	Correlated	
				Colour Temperature (Nom)	Colour Rendering Index (Nom)
929001844508	LED spot 5-50W 120D 2700K 220V	120 °	727	2700 K	70

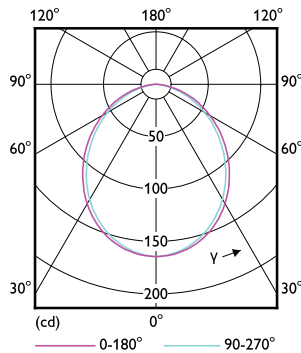
## Light Technical (2/2)

Order Code	Full Product Name	Luminous Flux (Nom)	Luminous Intensity (Nom)
929001240108	Essential LED 5-50W 2700K MR16 24D	400 lm	1700 cd
929001240208	Essential LED 5-50W 6500K MR16 24D	435 lm	1700 cd

Order Code	Full Product Name	Luminous Flux (Nom)	Luminous Intensity (Nom)
929001844508	LED spot 5-50W 120D 2700K 220V	400 lm	-

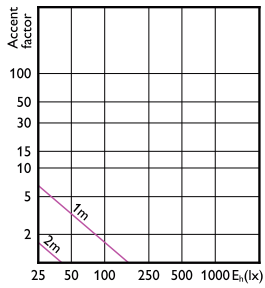
## Temperature

Order Code	Full Product Name	T-Case Maximum (Nom)
929001240108	Essential LED 5-50W 2700K MR16 24D	76 °C
929001240208	Essential LED 5-50W 6500K MR16 24D	76 °C
929001844508	LED spot 5-50W 120D 2700K 220V	70 °C



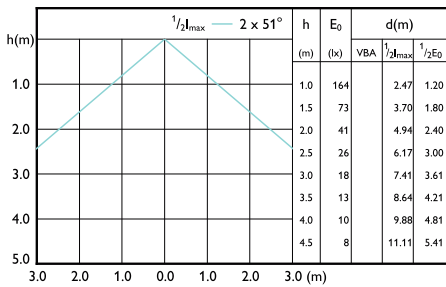
# Essential LEDspot MR16

## Accent Diagrams



LEDspot ESS 50W GU5.3 MR16 827 12D ND RCA

## Beam Diagrams



LEDspot ESS 50W GU5.3 MR16 827 12D ND RCA

