



Your everyday LEDspot MR16

Essential LEDspot MR16

Essential LEDspots MR16 are compatible with most existing fixtures with a GU5.3 socket and are designed as a retrofit replacement for halogen spots. Essential LEDspots MR16 deliver significant energy savings and minimise the initial investment.

Benefits

- Up to 90 % energy saving compared with traditional halogen lamps
- Lower maintenance costs
- Low initial investment

Features

- Easy retrofit
- Lifetime up to 15 000 hours
- Non-dimmable
- UV- and IR-free light

Application

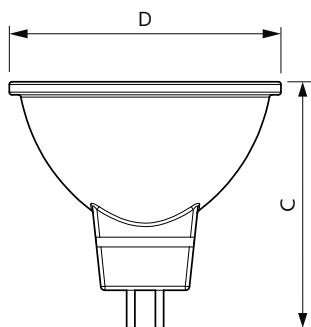
- Hotels, restaurants, bars, cafés, shops
- Lobbies, corridors, stairwells, washrooms, reception areas

Essential LEDspot MR16

Versions



Dimensional drawing



Product	D	C
Essential LED 5-50W 2700K MR16 24D	50 mm	46 mm
Essential LED 5-50W 6500K MR16 24D	50 mm	46 mm

Essential LEDspot MR16

Approval and Application

Energy Efficiency Label (EEL) A+

Controls and Dimming

Dimmable No

Operating and Electrical

Voltage (Nom) 12 V

Wattage Equivalent 50 W

Power (Rated) (Nom) 5 W

Starting Time (Nom) 0.5 s

General Information

Cap-Base GU5.3

Nominal Lifetime (Nom) 15000 h

Switching Cycle 50000X

Light Technical

Beam Angle (Nom) 24 °

Colour Rendering Index (Nom) 80

Llmf At End Of Nominal Lifetime (Nom) 70 %

Luminous Intensity (Nom) 1700 cd

Mechanical and Housing

Bulb Shape MR16

Temperature

T-Case Maximum (Nom) 76 °C

Light Technical

Order Code	Full Product Name	Colour Code	Correlated Colour	
			Temperature (Nom)	Luminous Flux (Nom)
929001240108	Essential LED 5-50W 2700K MR16 24D	827	2700 K	400 lm
929001240208	Essential LED 5-50W 6500K MR16 24D	865	6500 K	435 lm

