



The affordable LED candle solution

Standard LED candles & lusters

Standard LED candles are compatible with existing fixtures with a E27 holder and are designed for retrofit replacement of incandescent, halogen and energy saving candles. They deliver huge energy savings and minimize maintenance costs. The Standard LED candle is the perfect candle for your basic lighting needs. It provides the beautiful light and performance you expect from the LED technology at an affordable price.

Benefits

- With a pure and elegant design, this candle is the perfect replacement for your matted conventional candles
- Up to 90% energy saving compared with traditional incandescent lamps
- Long lifetime with lower maintenance costs

Features

- Easy retrofit with existing sockets E27 and E14
- Instant full light on: Philips LED light bulbs provide their full level of brightness immediately upon switching on
- Long lifetime and with very good quality of light
- Available in 3000K and 6500K
- UV- and IR-free light

Application

- Hotels, restaurants, bars, cafés
- Hotel rooms, lobbies, corridors, stairwells, washrooms

Standard LED candles & lusters

Versions



E14 B35 FR



E27 P45 Frosted



E27 G48 Frosted



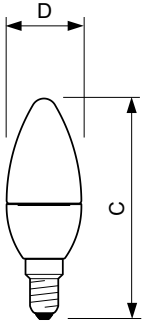
E27 G45 Frosted



E27 G45 Frosted

Standard LED candles & lusters

Dimensional drawing



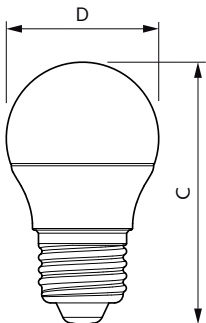
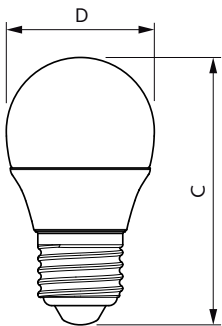
D

Product	D	C
LED candle/luster CorePro candle ND 5.5-40W E14 827 B35 FR	35 mm	106 mm
LED candle/luster CorePro candle ND 5.5-40W E14 827 B35 FR	35 mm	106 mm

Product	D	C
LED candle/luster LEDBulb 4-40W E27 3000K 220-240V P45	45 mm	87 mm
LED candle/luster LEDBulb 4-40W E27 3000K 220V P45 2BC	45 mm	87 mm
LED candle/luster LEDBulb 4-40W E27 6500K 220V P45 3BC	45 mm	87 mm
LED candle/luster LEDBulb 4-40W E27 6500K 220-240V P45	45 mm	87 mm
LED candle/luster LEDBulb 4-40W E27 3000K 220V P45 3BC	45 mm	87 mm
LED candle/luster LEDBulb 4-40W E27 6500K 220V P45 2BC	45 mm	87 mm

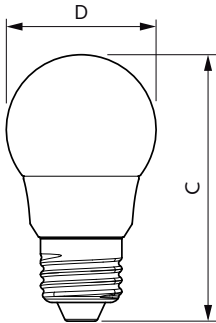
Product	D	C
LED candle/luster EcoHome LEDBulb 4W E27 6500K G45 1PF AR	45 mm	77 mm
LED candle/luster EcoHome LEDBulb 4W E27 3000K G45 1PF AR	45 mm	77 mm

Product	D	C
LEDBulb 4W E27 6500K 100-240VG45 BR	45 mm	78 mm
LEDBulb 4W E27 3000K 100-240VG45 BR	45 mm	78 mm
LED candle/luster LEDBulb 4W E27 6500K 100-240VG16.5 MX	45 mm	78 mm
LED candle/luster LEDBulb 4W E27 3000K 100-240VG16.5 MX	45 mm	78 mm



Standard LED candles & lusters

Dimensional drawing



Product	D	C
LEDBulb 3.5W E27 6500K 100-240VG15 MX	48 mm	85 mm
LEDBulb 3.5W E27 6500K 100-240VG48 BR	48 mm	85 mm
LEDBulb 3.5W E27 3000K 100-240VG15 MX	48 mm	85 mm
LEDBulb 3.5W E27 3000K 100-240VG48 BR	48 mm	85 mm

Controls and Dimming

Dimmable	No
----------	----

Operating and Electrical

Input Frequency	50 to 60 Hz
Wattage Equivalent	40 W
Starting Time (Nom)	0.5 s

General Information

Switching Cycle	50000X
-----------------	--------

Light Technical

Color Rendering Index (Nom)	80
Llmf At End Of Nominal Lifetime (Nom)	70 %

Mechanical and Housing

Bulb Finish	Frosted
-------------	---------

Approval and Application

Order Code	Full Product Name	Energy Consumption kWh/1000 h	Energy Efficiency Label (EEL)
929001157702	LED candle/luster CorePro candle ND 5.5-40W E14 827 B35 FR	6 kWh	A+
929001157771	LED candle/luster CorePro candle ND 5.5-40W E14 827 B35 FR	6 kWh	A+
929001160971	LED candle/luster LEDBulb 4-40W E27 3000K 220-240V P45	-	A+
929001160991	LED candle/luster LEDBulb 4-40W E27 3000K 220V P45 2BC	-	A+
929001160993	LED candle/luster LEDBulb 4-40W E27 3000K 220V P45 3BC	-	A+
929001161071	LED candle/luster LEDBulb 4-40W E27 6500K 220-240V P45	-	A+
929001161091	LED candle/luster LEDBulb 4-40W E27 6500K 220V P45 2BC	-	A+
929001161093	LED candle/luster LEDBulb 4-40W E27 6500K 220V P45 3BC	-	A+
929001837911	LED candle/luster LEDBulb 3.5W E27 3000K 100-240VG48 BR	-	-
929001837971	LED candle/luster LEDBulb 3.5W E27 3000K 100-240VG15 MX	-	-
929001838011	LED candle/luster LEDBulb 3.5W E27 6500K 100-240VG48 BR	-	-
929001838071	LED candle/luster LEDBulb 3.5W E27 6500K 100-240VG15 MX	-	-
929001991971	LED candle/luster EcoHome LEDBulb 4W E27 3000K G45 1PF AR	-	-
929001992071	LED candle/luster EcoHome LEDBulb 4W E27 6500K G45 1PF AR	-	-
929002037211	LED candle/luster LEDBulb 4W E27 3000K 100-240VG45 BR	-	-
929002037271	LED candle/luster LEDBulb 4W E27 3000K 100-240VG16.5 MX	-	-
929002037311	LED candle/luster LEDBulb 4W E27 6500K 100-240VG45 BR	-	-

Standard LED candles & lusters

Order Code	Full Product Name	Energy Consumption kWh/1000 h	Energy Efficiency Label (EEL)
929002037371	LED candle/luster LEDBulb 4W E27 6500K 100-240VG16.5 MX	-	-

Operating and Electrical

Order Code	Full Product Name	Voltage (Nom)	Power (Rated) (Nom)
929001157702	LED candle/luster CorePro candle ND 5.5-40W E14 827 B35 FR	220-240 V	5.5 W
929001157771	LED candle/luster CorePro candle ND 5.5-40W E14 827 B35 FR	220-240 V	5.5 W
929001160971	LED candle/luster LEDBulb 4-40W E27 3000K 220-240V P45	220-240 V	4 W
929001160991	LED candle/luster LEDBulb 4-40W E27 3000K 220V P45 2BC	220-240 V	4 W
929001160993	LED candle/luster LEDBulb 4-40W E27 3000K 220V P45 3BC	220-240 V	4 W
929001161071	LED candle/luster LEDBulb 4-40W E27 6500K 220-240V P45	220-240 V	4 W
929001161091	LED candle/luster LEDBulb 4-40W E27 6500K 220V P45 2BC	220-240 V	4 W
929001161093	LED candle/luster LEDBulb 4-40W E27 6500K 220V P45 3BC	220-240 V	4 W
929001837911	LED candle/luster LEDBulb 3.5W E27 3000K 100-240VG48 BR	100-240 V	3.5 W

Order Code	Full Product Name	Voltage (Nom)	Power (Rated) (Nom)
929001837971	LED candle/luster LEDBulb 3.5W E27 3000K 100-240VG15 MX	100-240 V	3.5 W
929001838011	LED candle/luster LEDBulb 3.5W E27 6500K 100-240VG48 BR	100-240 V	3.5 W
929001838071	LED candle/luster LEDBulb 3.5W E27 6500K 100-240VG15 MX	100-240 V	3.5 W
929001991971	LED candle/luster EcoHome LEDBulb 4W E27 3000K G45 1PF AR	220-240 V	4 W
929001992071	LED candle/luster EcoHome LEDBulb 4W E27 6500K G45 1PF AR	220-240 V	4 W
929002037211	LED candle/luster LEDBulb 4W E27 3000K 100-240VG45 BR	100-240 V	4 W
929002037271	LED candle/luster LEDBulb 4W E27 3000K 100-240VG16.5 MX	100-240 V	4 W
929002037311	LED candle/luster LEDBulb 4W E27 6500K 100-240VG45 BR	100-240 V	4 W
929002037371	LED candle/luster LEDBulb 4W E27 6500K 100-240VG16.5 MX	100-240 V	4 W

General Information

Order Code	Full Product Name	Cap-Base	Nominal Lifetime (Nom)
929001157702	LED candle/luster CorePro candle ND 5.5-40W E14 827 B35 FR	E14	15000 h
929001157771	LED candle/luster CorePro candle ND 5.5-40W E14 827 B35 FR	E14	15000 h
929001160971	LED candle/luster LEDBulb 4-40W E27 3000K 220-240V P45	E27	15000 h
929001160991	LED candle/luster LEDBulb 4-40W E27 3000K 220V P45 2BC	E27	15000 h
929001160993	LED candle/luster LEDBulb 4-40W E27 3000K 220V P45 3BC	E27	15000 h
929001161071	LED candle/luster LEDBulb 4-40W E27 6500K 220-240V P45	E27	15000 h
929001161091	LED candle/luster LEDBulb 4-40W E27 6500K 220V P45 2BC	E27	15000 h
929001161093	LED candle/luster LEDBulb 4-40W E27 6500K 220V P45 3BC	E27	15000 h
929001837911	LED candle/luster LEDBulb 3.5W E27 3000K 100-240VG48 BR	E27	15000 h

Order Code	Full Product Name	Cap-Base	Nominal Lifetime (Nom)
929001837971	LED candle/luster LEDBulb 3.5W E27 3000K 100-240VG15 MX	E27	15000 h
929001838011	LED candle/luster LEDBulb 3.5W E27 6500K 100-240VG48 BR	E27	15000 h
929001838071	LED candle/luster LEDBulb 3.5W E27 6500K 100-240VG15 MX	E27	15000 h
929001991971	LED candle/luster EcoHome LEDBulb 4W E27 3000K G45 1PF AR	E27	10000 h
929001992071	LED candle/luster EcoHome LEDBulb 4W E27 6500K G45 1PF AR	E27	10000 h
929002037211	LED candle/luster LEDBulb 4W E27 3000K 100-240VG45 BR	E27	15000 h
929002037271	LED candle/luster LEDBulb 4W E27 3000K 100-240VG16.5 MX	E27	15000 h
929002037311	LED candle/luster LEDBulb 4W E27 6500K 100-240VG45 BR	E27	15000 h

Standard LED candles & lusters

Order Code	Full Product Name	Cap-Base	Nominal Lifetime (Nom)
929002037371	LED candle/luster LEDBulb 4W E27 6500K 100-240VG16.5 MX	E27	15000 h

Light Technical

Order Code	Full Product Name	Beam Angle (Nom)	Correlated Color		Luminous Flux (Nom)
			Color Code	Temperature (Nom)	
929001157702	LED candle/luster CorePro candle ND 5.5-40W E14 827 B35 FR	-	827	2700 K	470 lm
929001157771	LED candle/luster CorePro candle ND 5.5-40W E14 827 B35 FR	120 °	827	2700 K	470 lm
929001160971	LED candle/luster LEDBulb 4-40W E27 3000K 220-240V P45	150 °	830	3000 K	350 lm
929001160991	LED candle/luster LEDBulb 4-40W E27 3000K 220V P45 2BC	150 °	830	3000 K	350 lm
929001160993	LED candle/luster LEDBulb 4-40W E27 3000K 220V P45 3BC	150 °	830	3000 K	350 lm
929001161071	LED candle/luster LEDBulb 4-40W E27 6500K 220-240V P45	150 °	865	6500 K	350 lm
929001161091	LED candle/luster LEDBulb 4-40W E27 6500K 220V P45 2BC	150 °	865	6500 K	350 lm
929001161093	LED candle/luster LEDBulb 4-40W E27 6500K 220V P45 3BC	150 °	865	6500 K	350 lm
929001837911	LED candle/luster LEDBulb 3.5W E27 3000K 100-240VG48 BR	150 °	830	3000 K	350 lm
929001837971	LED candle/luster LEDBulb 3.5W E27	150 °	830	3000 K	350 lm

Mechanical and Housing

Order Code	Full Product Name	Bulb Shape
929001157702	LED candle/luster CorePro candle ND 5.5-40W E14 827 B35 FR	B35

Order Code	Full Product Name	Beam Angle (Nom)	Correlated Color		Luminous Flux (Nom)
			Color Code	Temperature (Nom)	
929001838011	LED candle/luster LEDBulb 3.5W E27 6500K 100-240VG48 BR	150 °	865	6500 K	350 lm
929001838071	LED candle/luster LEDBulb 3.5W E27 6500K 100-240VG15 MX	150 °	865	6500 K	350 lm
929001991971	LED candle/luster EcoHome LEDBulb 4W E27 3000K G45 1PF AR	150 °	830	3000 K	350 lm
929001992071	LED candle/luster EcoHome LEDBulb 4W E27 6500K G45 1PF AR	150 °	865	6500 K	350 lm
929002037211	LED candle/luster LEDBulb 4W E27 3000K 100-240VG45 BR	150 °	830	3000 K	350 lm
929002037271	LED candle/luster LEDBulb 4W E27 3000K 100-240VG16.5 MX	150 °	830	3000 K	350 lm
929002037311	LED candle/luster LEDBulb 4W E27 6500K 100-240VG45 BR	150 °	865	6500 K	350 lm
929002037371	LED candle/luster LEDBulb 4W E27 6500K 100-240VG16.5 MX	150 °	865	6500 K	350 lm

Order Code	Full Product Name	Bulb Shape
929001157771	LED candle/luster CorePro candle ND 5.5-40W E14 827 B35 FR	B35

Standard LED candles & lusters

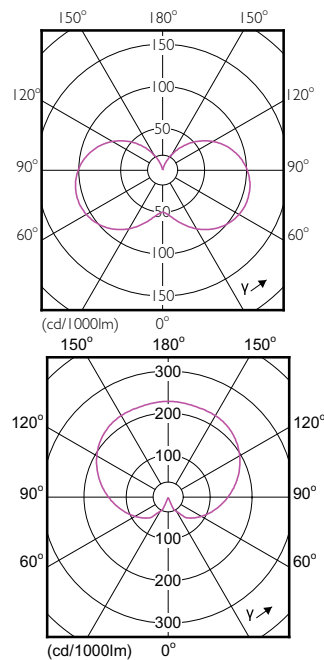
Order Code	Full Product Name	Bulb Shape
929001160971	LED candle/luster LEDBulb 4-40W E27 3000K 220-240V P45	P45
929001160991	LED candle/luster LEDBulb 4-40W E27 3000K 220V P45 2BC	P45
929001160993	LED candle/luster LEDBulb 4-40W E27 3000K 220V P45 3BC	P45
929001161071	LED candle/luster LEDBulb 4-40W E27 6500K 220-240V P45	P45
929001161091	LED candle/luster LEDBulb 4-40W E27 6500K 220V P45 2BC	P45
929001161093	LED candle/luster LEDBulb 4-40W E27 6500K 220V P45 3BC	P45
929001837911	LED candle/luster LEDBulb 3.5W E27 3000K 100-240VG48 BR	G48
929001837971	LED candle/luster LEDBulb 3.5W E27 3000K 100-240VG15 MX	G15

Order Code	Full Product Name	Bulb Shape
929001838011	LED candle/luster LEDBulb 3.5W E27 6500K 100-240VG48 BR	G48
929001838071	LED candle/luster LEDBulb 3.5W E27 6500K 100-240VG15 MX	G15
929001991971	LED candle/luster EcoHome LEDBulb 4W E27 3000K G45 1PF AR	G45
929001992071	LED candle/luster EcoHome LEDBulb 4W E27 6500K G45 1PF AR	G45
929002037211	LED candle/luster LEDBulb 4W E27 3000K 100-240VG45 BR	G45
929002037271	LED candle/luster LEDBulb 4W E27 3000K 100-240VG16.5 MX	G16.5
929002037311	LED candle/luster LEDBulb 4W E27 6500K 100-240VG45 BR	G45
929002037371	LED candle/luster LEDBulb 4W E27 6500K 100-240VG16.5 MX	G16.5

Temperature

Order Code	Full Product Name	T-Case Maximum (Nom)
929001157702	LED candle/luster CorePro candle ND 5.5-40W E14 827 B35 FR	85 °C
929001157771	LED candle/luster CorePro candle ND 5.5-40W E14 827 B35 FR	90 °C
929001160971	LED candle/luster LEDBulb 4-40W E27 3000K 220-240V P45	90 °C
929001160991	LED candle/luster LEDBulb 4-40W E27 3000K 220V P45 2BC	90 °C
929001160993	LED candle/luster LEDBulb 4-40W E27 3000K 220V P45 3BC	90 °C
929001161071	LED candle/luster LEDBulb 4-40W E27 6500K 220-240V P45	90 °C
929001161091	LED candle/luster LEDBulb 4-40W E27 6500K 220V P45 2BC	90 °C
929001161093	LED candle/luster LEDBulb 4-40W E27 6500K 220V P45 3BC	90 °C
929001837911	LED candle/luster LEDBulb 3.5W E27 3000K 100-240VG48 BR	65 °C
929001837971	LED candle/luster LEDBulb 3.5W E27 3000K 100-240VG15 MX	65 °C
929001838011	LED candle/luster LEDBulb 3.5W E27 6500K 100-240VG48 BR	65 °C
929001838071	LED candle/luster LEDBulb 3.5W E27 6500K 100-240VG15 MX	65 °C
929001991971	LED candle/luster EcoHome LEDBulb 4W E27 3000K G45 1PF AR	75 °C
929001992071	LED candle/luster EcoHome LEDBulb 4W E27 6500K G45 1PF AR	75 °C
929002037211	LED candle/luster LEDBulb 4W E27 3000K 100-240VG45 BR	60 °C

Order Code	Full Product Name	T-Case Maximum (Nom)
929002037271	LED candle/luster LEDBulb 4W E27 3000K 100-240VG16.5 MX	60 °C
929002037311	LED candle/luster LEDBulb 4W E27 6500K 100-240VG45 BR	60 °C
929002037371	LED candle/luster LEDBulb 4W E27 6500K 100-240VG16.5 MX	60 °C



Standard LED candles & lusters

