



The most competitive specification downlight for TCO attractiveness with diversity and system compatibility

GreenSpace G5

GreenSpace Gen5 is a new LED downlight range combining light efficiency and comfort with product diversity and system compatibility

Benefits

- Energy efficient
- Design compactness
- Smart lighting

Features

- High optical efficiency
- Compact form factor
- DALI/DALI-VLC/POE compatible

Application

- Office
- shopping mall
- hotel
- retail etc.

GreenSpace G5

Versions



GreenSpace Gen5 DN39XB D100 ALU



GreenSpace Gen5 DN39XB D100 WH

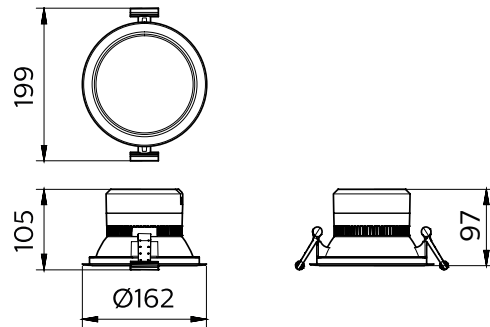
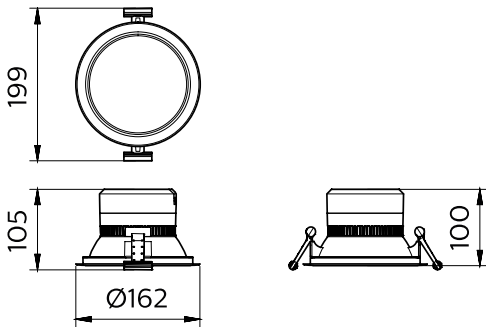
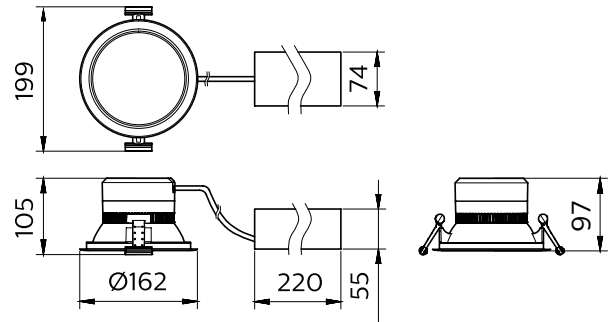
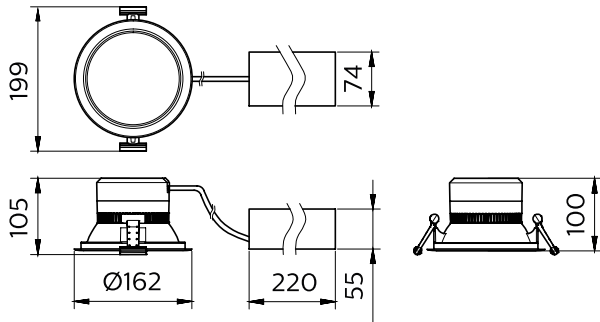
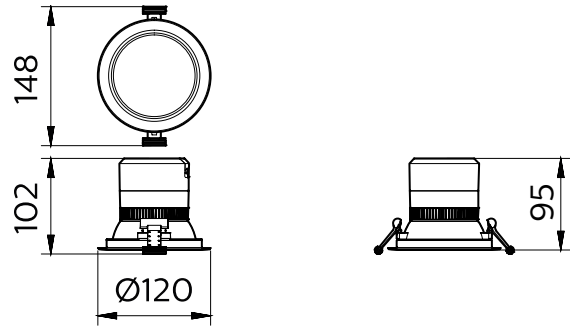
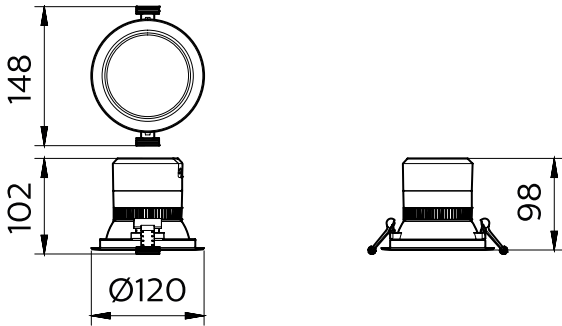


GreenSpace Gen5 DN39XB D150 WH

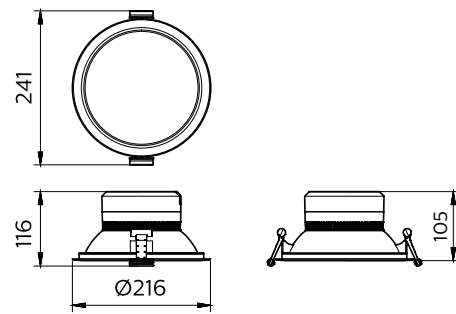
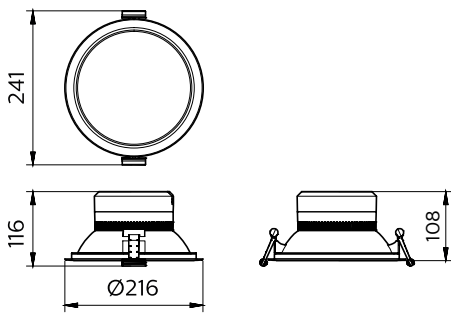
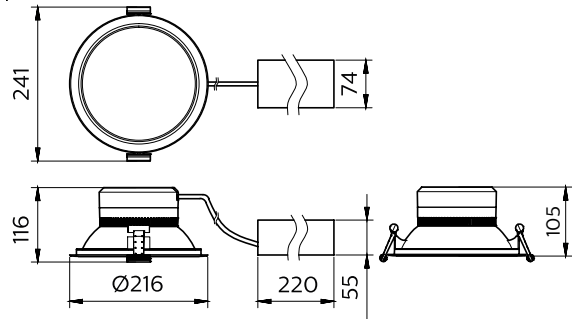
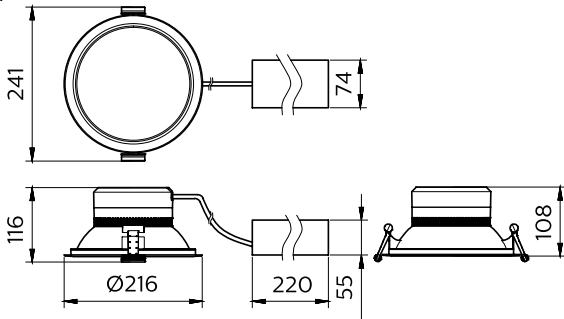


GreenSpace Gen5 DN39XB D200 ALU

Dimensional drawing



Dimensional drawing



General Information	
Driver included	Yes
Flammability mark	For mounting on normally flammable surfaces
Glow-wire test	Temperature 650 °C, duration 30 s
Light source replaceable	No
Number of gear units	1 unit
Light Technical	
Optical cover type	Transparent bowl with white cover
Color rendering index (CRI)	>80
Optic type	High-gloss high reflectance
Operating and Electrical	
Input Voltage	220-240 V
Line Frequency	50 or 60 Hz
Temperature	
Ambient temperature range	-20 to +40 °C
Mechanical and Housing	
Housing Color	Black and white
Approval and Application	
Protection class IEC	Safety class I
Mech. impact protection code	IK02
Initial Performance (IEC Compliant)	
Luminous flux tolerance	+/-10%
Over Time Performance (IEC Compliant)	
Median useful life L80B50	43,000 hour(s)
Median useful life L90B50	20,000 hour(s)

General Information

Order Code	Full Product Name	CE mark
911401580741	DN390B LED6/830 PSU D100 ALU WP GM	CE mark
911401577741	DN390B LED6/830 PSU D100 WH GM	CE mark
911401577841	DN390B LED6/840 PSU D100 WH GM	CE mark
911401577941	DN390B LED6/865 PSU D100 WH GM	CE mark
911401575441	DN392B LED16/830 PSU D150 ALU WP GC	-
911401575541	DN392B LED16/840 PSU D150 ALU WP GC	-
911401578641	DN391B LED11/830 PSU D150 ALU GM	CE mark
911401578741	DN391B LED11/840 PSU D150 ALU GM	CE mark
911401578841	DN391B LED11/865 PSU D150 ALU GM	CE mark
911401579241	DN392B LED16/830 PSU D150 ALU GM	CE mark
911401579341	DN392B LED16/840 PSU D150 ALU GM	CE mark
911401581241	DN391B LED11/865 PSU D150 ALU WP GM	CE mark
911401581841	DN391B LED11/830 PSD D150 ALU GM	CE mark
911401581941	DN391B LED11/840 PSD D150 ALU GM	CE mark
911401585741	DN392B LED16/840 PSD D150 ALU GM	CE mark
911401578341	DN391B LED11/830 PSU D150 WH GM	CE mark
911401578541	DN391B LED11/865 PSU D150 WH GM	CE mark
911401578941	DN392B LED16/830 PSU D150 WH GM	CE mark
911401579141	DN392B LED16/865 PSU D150 WH GM	CE mark
911401581741	DN391B LED11/840 PSD D150 WH GM	CE mark
911401585541	DN392B LED16/840 PSD D150 WH GM	CE mark
911401579841	DN392B LED16/830 PSU D200 ALU GM	CE mark
911401579941	DN392B LED16/840 PSU D200 ALU GM	CE mark
911401580441	DN393B LED22/830 PSU D200 ALU GM	CE mark
911401580541	DN393B LED22/840 PSU D200 ALU GM	CE mark
911401580641	DN393B LED22/865 PSU D200 ALU GM	CE mark
911401581441	DN393B LED22/840 PSU D200 ALU WP GM	CE mark
911401582641	DN393B LED22/830 PSD D200 ALU GM	CE mark
911401582741	DN393B LED22/840 PSD D200 ALU GM	CE mark
911401579541	DN392B LED16/830 PSU D200 WH GM	CE mark
911401579641	DN392B LED16/840 PSU D200 WH GM	CE mark
911401579741	DN392B LED16/865 PSU D200 WH GM	CE mark
911401580141	DN393B LED22/830 PSU D200 WH GM	CE mark
911401580341	DN393B LED22/865 PSU D200 WH GM	CE mark
911401582141	DN392B LED16/840 PSD D200 WH GM	CE mark
911401582541	DN393B LED22/840 PSD D200 WH GM	CE mark

Light Technical

Order Code	Full Product Name	Beam angle of light source	Correlated Color Temperature (Nom)	Luminous Efficacy (rated) (Nom)	Luminous Flux
911401580741	DN390B LED6/830 PSU D100 ALU WP GM	60 degree(s)	3000 K	104 lm/W	570 lm
911401577741	DN390B LED6/830 PSU D100 WH GM	72 degree(s)	3000 K	104 lm/W	570 lm

Order Code	Full Product Name	Beam angle of light source	Correlated Color Temperature (Nom)	Luminous Efficacy (rated) (Nom)	Luminous Flux
911401577841	DN390B LED6/840 PSU D100 WH GM	72 degree(s)	4000 K	109 lm/W	600 lm
911401577941	DN390B LED6/865 PSU D100 WH GM	72 degree(s)	6500 K	109 lm/W	600 lm

Order Code	Full Product Name	Beam angle of light source	Correlated Color Temperature (Nom)	Luminous Efficacy (rated) (Nom)	Luminous Flux
911401575441	DN392B LED16/830 PSU D150 ALU WP GC	60 degree(s)	3000 K	103 lm/W	1,500 lm
911401575541	DN392B LED16/840 PSU D150 ALU WP GC	60 degree(s)	4000 K	110 lm/W	1,600 lm
911401578641	DN391B LED11/830 PSU D150 ALU GM	60 degree(s)	3000 K	111 lm/W	1,050 lm
911401578741	DN391B LED11/840 PSU D150 ALU GM	60 degree(s)	4000 K	116 lm/W	1,100 lm
911401578841	DN391B LED11/865 PSU D150 ALU GM	60 degree(s)	6500 K	116 lm/W	1,100 lm
911401579241	DN392B LED16/830 PSU D150 ALU GM	60 degree(s)	3000 K	103 lm/W	1,500 lm
911401579341	DN392B LED16/840 PSU D150 ALU GM	60 degree(s)	4000 K	110 lm/W	1,600 lm
911401581241	DN391B LED11/865 PSU D150 ALU WP GM	60 degree(s)	6500 K	116 lm/W	1,100 lm
911401581841	DN391B LED11/830 PSD D150 ALU GM	60 degree(s)	3000 K	91 lm/W	1,050 lm
911401581941	DN391B LED11/840 PSD D150 ALU GM	60 degree(s)	4000 K	96 lm/W	1,100 lm
911401585741	DN392B LED16/840 PSD D150 ALU GM	60 degree(s)	4000 K	110 lm/W	1,600 lm
911401578341	DN391B LED11/830 PSU D150 WH GM	85 degree(s)	3000 K	111 lm/W	1,050 lm
911401578541	DN391B LED11/865 PSU D150 WH GM	85 degree(s)	6500 K	116 lm/W	1,100 lm
911401578941	DN392B LED16/830 PSU D150 WH GM	85 degree(s)	3000 K	103 lm/W	1,500 lm
911401579141	DN392B LED16/865 PSU D150 WH GM	85 degree(s)	6500 K	110 lm/W	1,600 lm
911401581741	DN391B LED11/840 PSD D150 WH GM	85 degree(s)	4000 K	96 lm/W	1,100 lm

Order Code	Full Product Name	Beam angle of light source	Correlated Color Temperature (Nom)	Luminous Efficacy (rated) (Nom)	Luminous Flux
911401585541	DN392B LED16/840 PSD D150 WH GM	85 degree(s)	4000 K	110 lm/W	1,600 lm
911401579841	DN392B LED16/830 PSU D200 ALU GM	60 degree(s)	3000 K	103 lm/W	1,500 lm
911401579941	DN392B LED16/840 PSU D200 ALU GM	60 degree(s)	4000 K	110 lm/W	1,600 lm
911401580441	DN393B LED22/830 PSU D200 ALU GM	60 degree(s)	3000 K	111 lm/W	2,100 lm
911401580541	DN393B LED22/840 PSU D200 ALU GM	60 degree(s)	4000 K	116 lm/W	2,200 lm
911401580641	DN393B LED22/865 PSU D200 ALU GM	60 degree(s)	6500 K	116 lm/W	2,200 lm
911401581441	DN393B LED22/840 PSU D200 ALU WP GM	60 degree(s)	4000 K	116 lm/W	2,200 lm
911401582641	DN393B LED22/830 PSD D200 ALU GM	60 degree(s)	3000 K	102 lm/W	2,100 lm
911401582741	DN393B LED22/840 PSD D200 ALU GM	60 degree(s)	4000 K	107 lm/W	2,200 lm
911401579541	DN392B LED16/830 PSU D200 WH GM	92 degree(s)	3000 K	103 lm/W	1,500 lm
911401579641	DN392B LED16/840 PSU D200 WH GM	92 degree(s)	4000 K	110 lm/W	1,600 lm
911401579741	DN392B LED16/865 PSU D200 WH GM	92 degree(s)	6500 K	110 lm/W	1,600 lm
911401580141	DN393B LED22/830 PSU D200 WH GM	92 degree(s)	3000 K	111 lm/W	2,100 lm
911401580341	DN393B LED22/865 PSU D200 WH GM	92 degree(s)	6500 K	116 lm/W	2,200 lm
911401582141	DN392B LED16/840 PSD D200 WH GM	92 degree(s)	4000 K	110 lm/W	1,600 lm
911401582541	DN393B LED22/840 PSD D200 WH GM	92 degree(s)	4000 K	107 lm/W	2,200 lm

Operating and Electrical

Order Code	Full Product Name	Power Consumption
911401580741	DN390B LED6/830 PSU D100 ALU WP GM	5.5 W
911401577741	DN390B LED6/830 PSU D100 WH GM	5.5 W
911401577841	DN390B LED6/840 PSU D100 WH GM	5.5 W
911401577941	DN390B LED6/865 PSU D100 WH GM	5.5 W
911401575441	DN392B LED16/830 PSU D150 ALU WP GC	14.5 W
911401575541	DN392B LED16/840 PSU D150 ALU WP GC	14.5 W
911401578641	DN391B LED11/830 PSU D150 ALU GM	9.5 W
911401578741	DN391B LED11/840 PSU D150 ALU GM	9.5 W
911401578841	DN391B LED11/865 PSU D150 ALU GM	9.5 W
911401579241	DN392B LED16/830 PSU D150 ALU GM	14.5 W
911401579341	DN392B LED16/840 PSU D150 ALU GM	14.5 W
911401581241	DN391B LED11/865 PSU D150 ALU WP GM	9.5 W
911401581841	DN391B LED11/830 PSD D150 ALU GM	11.5 W
911401581941	DN391B LED11/840 PSD D150 ALU GM	11.5 W
911401585741	DN392B LED16/840 PSD D150 ALU GM	15.5 W
911401578341	DN391B LED11/830 PSU D150 WH GM	9.5 W
911401578541	DN391B LED11/865 PSU D150 WH GM	9.5 W
911401578941	DN392B LED16/830 PSU D150 WH GM	14.5 W

Order Code	Full Product Name	Power Consumption
911401579141	DN392B LED16/865 PSU D150 WH GM	14.5 W
911401581741	DN391B LED11/840 PSD D150 WH GM	11.5 W
911401585541	DN392B LED16/840 PSD D150 WH GM	15.5 W
911401579841	DN392B LED16/830 PSU D200 ALU GM	14.5 W
911401579941	DN392B LED16/840 PSU D200 ALU GM	14.5 W
911401580441	DN393B LED22/830 PSU D200 ALU GM	19 W
911401580541	DN393B LED22/840 PSU D200 ALU GM	19 W
911401580641	DN393B LED22/865 PSU D200 ALU GM	19 W
911401581441	DN393B LED22/840 PSU D200 ALU WP GM	19 W
911401582641	DN393B LED22/830 PSD D200 ALU GM	20.5 W
911401582741	DN393B LED22/840 PSD D200 ALU GM	20.5 W
911401579541	DN392B LED16/830 PSU D200 WH GM	14.5 W
911401579641	DN392B LED16/840 PSU D200 WH GM	14.5 W
911401579741	DN392B LED16/865 PSU D200 WH GM	14.5 W
911401580141	DN393B LED22/830 PSU D200 WH GM	19 W
911401580341	DN393B LED22/865 PSU D200 WH GM	19 W
911401582141	DN392B LED16/840 PSD D200 WH GM	15.5 W
911401582541	DN393B LED22/840 PSD D200 WH GM	20.5 W

Controls and Dimming

Order Code	Full Product Name	Dimmable
911401580741	DN390B LED6/830 PSU D100 ALU WP GM	No
911401577741	DN390B LED6/830 PSU D100 WH GM	No
911401577841	DN390B LED6/840 PSU D100 WH GM	No
911401577941	DN390B LED6/865 PSU D100 WH GM	No
911401575441	DN392B LED16/830 PSU D150 ALU WP GC	No
911401575541	DN392B LED16/840 PSU D150 ALU WP GC	No
911401578641	DN391B LED11/830 PSU D150 ALU GM	No
911401578741	DN391B LED11/840 PSU D150 ALU GM	No
911401578841	DN391B LED11/865 PSU D150 ALU GM	No
911401579241	DN392B LED16/830 PSU D150 ALU GM	No
911401579341	DN392B LED16/840 PSU D150 ALU GM	No
911401581241	DN391B LED11/865 PSU D150 ALU WP GM	No
911401581841	DN391B LED11/830 PSD D150 ALU GM	Yes
911401581941	DN391B LED11/840 PSD D150 ALU GM	Yes
911401585741	DN392B LED16/840 PSD D150 ALU GM	Yes
911401578341	DN391B LED11/830 PSU D150 WH GM	No
911401578541	DN391B LED11/865 PSU D150 WH GM	No
911401578941	DN392B LED16/830 PSU D150 WH GM	No

Order Code	Full Product Name	Dimmable
911401579141	DN392B LED16/865 PSU D150 WH GM	No
911401581741	DN391B LED11/840 PSD D150 WH GM	Yes
911401585541	DN392B LED16/840 PSD D150 WH GM	Yes
911401579841	DN392B LED16/830 PSU D200 ALU GM	No
911401579941	DN392B LED16/840 PSU D200 ALU GM	No
911401580441	DN393B LED22/830 PSU D200 ALU GM	No
911401580541	DN393B LED22/840 PSU D200 ALU GM	No
911401580641	DN393B LED22/865 PSU D200 ALU GM	No
911401581441	DN393B LED22/840 PSU D200 ALU WP GM	No
911401582641	DN393B LED22/830 PSD D200 ALU GM	Yes
911401582741	DN393B LED22/840 PSD D200 ALU GM	Yes
911401579541	DN392B LED16/830 PSU D200 WH GM	No
911401579641	DN392B LED16/840 PSU D200 WH GM	No
911401579741	DN392B LED16/865 PSU D200 WH GM	No
911401580141	DN393B LED22/830 PSU D200 WH GM	No
911401580341	DN393B LED22/865 PSU D200 WH GM	No
911401582141	DN392B LED16/840 PSD D200 WH GM	Yes
911401582541	DN393B LED22/840 PSD D200 WH GM	Yes

Approval and Application

Order Code	Full Product Name	Ingress protection code
911401580741	DN390B LED6/830 PSU D100 ALU WP GM	IP20/54
911401577741	DN390B LED6/830 PSU D100 WH GM	IP20
911401577841	DN390B LED6/840 PSU D100 WH GM	IP20
911401577941	DN390B LED6/865 PSU D100 WH GM	IP20
911401575441	DN392B LED16/830 PSU D150 ALU WP GC	IP20/54
911401575541	DN392B LED16/840 PSU D150 ALU WP GC	IP20/54

Order Code	Full Product Name	Ingress protection code
911401578641	DN391B LED11/830 PSU D150 ALU GM	IP20
911401578741	DN391B LED11/840 PSU D150 ALU GM	IP20
911401578841	DN391B LED11/865 PSU D150 ALU GM	IP20
911401579241	DN392B LED16/830 PSU D150 ALU GM	IP20
911401579341	DN392B LED16/840 PSU D150 ALU GM	IP20
911401581241	DN391B LED11/865 PSU D150 ALU WP GM	IP20/54

Order Code	Full Product Name	Ingress protection code
911401581841	DN391B LED11/830 PSD D150 ALU GM	IP20
911401581941	DN391B LED11/840 PSD D150 ALU GM	IP20
911401585741	DN392B LED16/840 PSD D150 ALU GM	IP20
911401578341	DN391B LED11/830 PSU D150 WH GM	IP20
911401578541	DN391B LED11/865 PSU D150 WH GM	IP20
911401578941	DN392B LED16/830 PSU D150 WH GM	IP20
911401579141	DN392B LED16/865 PSU D150 WH GM	IP20
911401581741	DN391B LED11/840 PSD D150 WH GM	IP20
911401585541	DN392B LED16/840 PSD D150 WH GM	IP20
911401579841	DN392B LED16/830 PSU D200 ALU GM	IP20
911401579941	DN392B LED16/840 PSU D200 ALU GM	IP20
911401580441	DN393B LED22/830 PSU D200 ALU GM	IP20

Order Code	Full Product Name	Ingress protection code
911401580541	DN393B LED22/840 PSU D200 ALU GM	IP20
911401580641	DN393B LED22/865 PSU D200 ALU GM	IP20
911401581441	DN393B LED22/840 PSU D200 ALU WP GM	IP20/54
911401582641	DN393B LED22/830 PSD D200 ALU GM	IP20
911401582741	DN393B LED22/840 PSD D200 ALU GM	IP20
911401579541	DN392B LED16/830 PSU D200 WH GM	IP20
911401579641	DN392B LED16/840 PSU D200 WH GM	IP20
911401579741	DN392B LED16/865 PSU D200 WH GM	IP20
911401580141	DN393B LED22/830 PSU D200 WH GM	IP20
911401580341	DN393B LED22/865 PSU D200 WH GM	IP20
911401582141	DN392B LED16/840 PSD D200 WH GM	IP20
911401582541	DN393B LED22/840 PSD D200 WH GM	IP20

Initial Performance (IEC Compliant)

Order Code	Full Product Name	Initial chromaticity
911401580741	DN390B LED6/830 PSU D100 ALU WP GM	(0.44,0.403) SDCM<5
911401577741	DN390B LED6/830 PSU D100 WH GM	(0.44,0.403) SDCM<5
911401577841	DN390B LED6/840 PSU D100 WH GM	(0.38,0.38) SDCM<5
911401577941	DN390B LED6/865 PSU D100 WH GM	(0.31,0.32) SDCM<5
911401575441	DN392B LED16/830 PSU D150 ALU WP GC	(0.44,0.403) SDCM<5
911401575541	DN392B LED16/840 PSU D150 ALU WP GC	(0.38,0.38) SDCM<5
911401578641	DN391B LED11/830 PSU D150 ALU GM	(0.44,0.403) SDCM<5
911401578741	DN391B LED11/840 PSU D150 ALU GM	(0.38,0.38) SDCM<5
911401578841	DN391B LED11/865 PSU D150 ALU GM	(0.31,0.32) SDCM<5
911401579241	DN392B LED16/830 PSU D150 ALU GM	(0.44,0.403) SDCM<5
911401579341	DN392B LED16/840 PSU D150 ALU GM	(0.38,0.38) SDCM<5
911401581241	DN391B LED11/865 PSU D150 ALU WP GM	(0.31,0.32) SDCM<5
911401581841	DN391B LED11/830 PSD D150 ALU GM	(0.44,0.403) SDCM<5
911401581941	DN391B LED11/840 PSD D150 ALU GM	(0.38,0.38) SDCM<5
911401585741	DN392B LED16/840 PSD D150 ALU GM	(0.38,0.38) SDCM<5
911401578341	DN391B LED11/830 PSU D150 WH GM	(0.44,0.403) SDCM<5
911401578541	DN391B LED11/865 PSU D150 WH GM	(0.31,0.32) SDCM<5
911401578941	DN392B LED16/830 PSU D150 WH GM	(0.44,0.403) SDCM<5

Order Code	Full Product Name	Initial chromaticity
911401579141	DN392B LED16/865 PSU D150 WH GM	(0.31,0.32) SDCM<5
911401581741	DN391B LED11/840 PSD D150 WH GM	(0.38,0.38) SDCM<5
911401585541	DN392B LED16/840 PSD D150 WH GM	(0.38,0.38) SDCM<5
911401579841	DN392B LED16/830 PSU D200 ALU GM	(0.44,0.403) SDCM<5
911401579941	DN392B LED16/840 PSU D200 ALU GM	(0.38,0.38) SDCM<5
911401580441	DN393B LED22/830 PSU D200 ALU GM	(0.44,0.403) SDCM<5
911401580541	DN393B LED22/840 PSU D200 ALU GM	(0.38,0.38) SDCM<5
911401580641	DN393B LED22/865 PSU D200 ALU GM	(0.31,0.32) SDCM<5
911401581441	DN393B LED22/840 PSU D200 ALU WP GM	(0.38,0.38) SDCM<5
911401582641	DN393B LED22/830 PSD D200 ALU GM	(0.44,0.403) SDCM<5
911401582741	DN393B LED22/840 PSD D200 ALU GM	(0.38,0.38) SDCM<5
911401579541	DN392B LED16/830 PSU D200 WH GM	(0.44,0.403) SDCM<5
911401579641	DN392B LED16/840 PSU D200 WH GM	(0.38,0.38) SDCM<5
911401579741	DN392B LED16/865 PSU D200 WH GM	(0.31,0.32) SDCM<5
911401580141	DN393B LED22/830 PSU D200 WH GM	(0.44,0.403) SDCM<5
911401580341	DN393B LED22/865 PSU D200 WH GM	(0.31,0.32) SDCM<5
911401582141	DN392B LED16/840 PSD D200 WH GM	(0.38,0.38) SDCM<5
911401582541	DN393B LED22/840 PSD D200 WH GM	(0.38,0.38) SDCM<5

Over Time Performance (IEC Compliant)

Order Code	Full Product Name	Driver failure rate at 5000 h
911401580741	DN390B LED6/830 PSU D100 ALU WP GM	0.12 %
911401577741	DN390B LED6/830 PSU D100 WH GM	0.12 %
911401577841	DN390B LED6/840 PSU D100 WH GM	0.12 %
911401577941	DN390B LED6/865 PSU D100 WH GM	0.12 %
911401575441	DN392B LED16/830 PSU D150 ALU WP GC	0.16 %
911401575541	DN392B LED16/840 PSU D150 ALU WP GC	0.16 %
911401578641	DN391B LED11/830 PSU D150 ALU GM	0.12 %
911401578741	DN391B LED11/840 PSU D150 ALU GM	0.12 %
911401578841	DN391B LED11/865 PSU D150 ALU GM	0.12 %
911401579241	DN392B LED16/830 PSU D150 ALU GM	0.16 %
911401579341	DN392B LED16/840 PSU D150 ALU GM	0.16 %
911401581241	DN391B LED11/865 PSU D150 ALU WP GM	0.12 %

Order Code	Full Product Name	Driver failure rate at 5000 h
911401581841	DN391B LED11/830 PSD D150 ALU GM	0.12 %
911401581941	DN391B LED11/840 PSD D150 ALU GM	0.12 %
911401585741	DN392B LED16/840 PSD D150 ALU GM	0.16 %
911401578341	DN391B LED11/830 PSU D150 WH GM	0.12 %
911401578541	DN391B LED11/865 PSU D150 WH GM	0.12 %
911401578941	DN392B LED16/830 PSU D150 WH GM	0.16 %
911401579141	DN392B LED16/865 PSU D150 WH GM	0.16 %
911401581741	DN391B LED11/840 PSD D150 WH GM	0.12 %
911401585541	DN392B LED16/840 PSD D150 WH GM	0.16 %
911401579841	DN392B LED16/830 PSU D200 ALU GM	0.16 %
911401579941	DN392B LED16/840 PSU D200 ALU GM	0.16 %
911401580441	DN393B LED22/830 PSU D200 ALU GM	0.12 %

Order Code	Full Product Name	Driver failure rate at 5000 h
911401580541	DN393B LED22/840 PSU D200 ALU GM	0.12 %
911401580641	DN393B LED22/865 PSU D200 ALU GM	0.12 %
911401581441	DN393B LED22/840 PSU D200 ALU WP GM	0.12 %
911401582641	DN393B LED22/830 PSD D200 ALU GM	0.12 %
911401582741	DN393B LED22/840 PSD D200 ALU GM	0.12 %
911401579541	DN392B LED16/830 PSU D200 WH GM	0.16 %

Order Code	Full Product Name	Driver failure rate at 5000 h
911401579641	DN392B LED16/840 PSU D200 WH GM	0.16 %
911401579741	DN392B LED16/865 PSU D200 WH GM	0.16 %
911401580141	DN393B LED22/830 PSU D200 WH GM	0.12 %
911401580341	DN393B LED22/865 PSU D200 WH GM	0.12 %
911401582141	DN392B LED16/840 PSD D200 WH GM	0.16 %
911401582541	DN393B LED22/840 PSD D200 WH GM	0.12 %

Application Conditions

Order Code	Full Product Name	Maximum dim level
911401580741	DN390B LED6/830 PSU D100 ALU WP GM	Not applicable
911401577741	DN390B LED6/830 PSU D100 WH GM	Not applicable
911401577841	DN390B LED6/840 PSU D100 WH GM	Not applicable
911401577941	DN390B LED6/865 PSU D100 WH GM	Not applicable
911401575441	DN392B LED16/830 PSU D150 ALU WP GC	Not applicable
911401575541	DN392B LED16/840 PSU D150 ALU WP GC	Not applicable
911401578641	DN391B LED11/830 PSU D150 ALU GM	Not applicable
911401578741	DN391B LED11/840 PSU D150 ALU GM	Not applicable
911401578841	DN391B LED11/865 PSU D150 ALU GM	Not applicable
911401579241	DN392B LED16/830 PSU D150 ALU GM	Not applicable
911401579341	DN392B LED16/840 PSU D150 ALU GM	Not applicable
911401581241	DN391B LED11/865 PSU D150 ALU WP GM	Not applicable
911401581841	DN391B LED11/830 PSD D150 ALU GM	-
911401581941	DN391B LED11/840 PSD D150 ALU GM	-
911401585741	DN392B LED16/840 PSD D150 ALU GM	-
911401578341	DN391B LED11/830 PSU D150 WH GM	Not applicable
911401578541	DN391B LED11/865 PSU D150 WH GM	Not applicable
911401578941	DN392B LED16/830 PSU D150 WH GM	Not applicable

Order Code	Full Product Name	Maximum dim level
911401579141	DN392B LED16/865 PSU D150 WH GM	Not applicable
911401581741	DN391B LED11/840 PSD D150 WH GM	-
911401585541	DN392B LED16/840 PSD D150 WH GM	-
911401579841	DN392B LED16/830 PSU D200 ALU GM	Not applicable
911401579941	DN392B LED16/840 PSU D200 ALU GM	Not applicable
911401580441	DN393B LED22/830 PSU D200 ALU GM	Not applicable
911401580541	DN393B LED22/840 PSU D200 ALU GM	Not applicable
911401580641	DN393B LED22/865 PSU D200 ALU GM	Not applicable
911401581441	DN393B LED22/840 PSU D200 ALU WP GM	Not applicable
911401582641	DN393B LED22/830 PSD D200 ALU GM	-
911401582741	DN393B LED22/840 PSD D200 ALU GM	-
911401579541	DN392B LED16/830 PSU D200 WH GM	Not applicable
911401579641	DN392B LED16/840 PSU D200 WH GM	Not applicable
911401579741	DN392B LED16/865 PSU D200 WH GM	Not applicable
911401580141	DN393B LED22/830 PSU D200 WH GM	Not applicable
911401580341	DN393B LED22/865 PSU D200 WH GM	Not applicable
911401582141	DN392B LED16/840 PSD D200 WH GM	-
911401582541	DN393B LED22/840 PSD D200 WH GM	-

