



# The new generation of energy-saving LED PLS tube lighting

## CorePro LED PLS

The Philips CorePro LED PLS integrates a LED light source into a traditional fluorescent form factor. This product is the ideal solution for uplamping in general lighting applications: it meets basic lighting requirements, offers significant energy savings and is environmentally friendly.

### Benefits

- Reduced operational cost thanks to lower energy consumption
- Lower maintenance cost thanks to a 2-3 times longer lifetime than conventional lamps
- The fastest and easiest way to upgrade existing luminaires to LED technology; completely safe product and installation process

### Features

- Highly energy-efficient
- Easy installation
- Conventional form factor to fit into existing luminaires
- No mercury

### Application

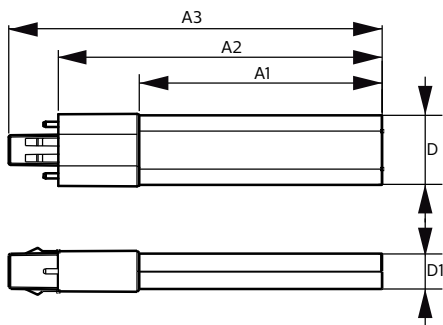
- Hospitality, retail, office, industrial and home applications

# CorePro LED PLS

## Versions



## Dimensional drawing



Product	D	D1	A1	A2	A3
CorePro LED PLS 5W 840 2P G23	31.1 mm	15.8 mm	108 mm	144 mm	166 mm
CorePro LED PLS 5W 830 2P G23	31.1 mm	15.8 mm	108 mm	144 mm	166 mm

# CorePro LED PLS

## Approval and Application

Energy Consumption kWh/1000 h	7 kWh
Energy Efficiency Label (EEL)	A+

## Controls and Dimming

Dimmable	No
----------	----

## Operating and Electrical

Input Frequency	50 to 60 Hz
Voltage (Nom)	220-240 V
Power (Rated) (Nom)	5 W
Starting Time (Nom)	0.5 s

## General Information

Cap-Base	G23
Nominal Lifetime (Nom)	30000 h
Switching Cycle	50000X

## Light Technical

Beam Angle (Nom)	120 °
Colour Rendering Index (Nom)	82
Llmf At End Of Nominal Lifetime (Nom)	70 %

## Temperature

T-Ambient (Max)	45 °C
T-Ambient (Min)	-20 °C
T-Case Maximum (Nom)	83 °C
T-Storage (Max)	65 °C
T-Storage (Min)	-40 °C

## Light Technical

Order Code	Full Product Name	Colour Code	Correlated Colour	
			Temperature (Nom)	Luminous Flux (Nom)
59666800	CorePro LED PLS 5W 830 2P G23	830	3000 K	520 lm
59668200	CorePro LED PLS 5W 840 2P G23	840	4000 K	550 lm

