



The new generation of energy-saving LED PLS tube lighting

CorePro LED PLS

The Philips CorePro LED PLS integrates a LED light source into a traditional fluorescent form factor. This product is the ideal solution for uplampping in general lighting applications: it meets basic lighting requirements, offers significant energy savings, and is environment-friendly.

Benefits

Features

Application

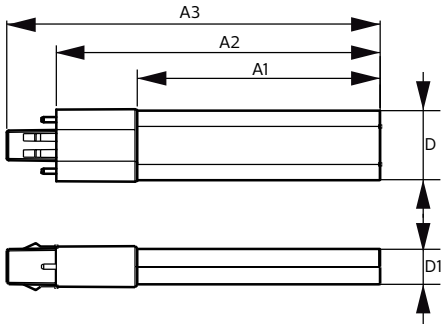
Versions



LEDtube G23

CorePro LED PLS

Dimensional drawing



Product	D	D1	A1	A2	A3
CorePro LED PLS 5W 840 2P G23	31.1 mm	15.8 mm	108 mm	144 mm	166 mm
CorePro LED PLS 5W 830 2P G23	31.1 mm	15.8 mm	108 mm	144 mm	166 mm

Approval and Application

Energy Consumption kWh/1000 h	7 kWh
Energy Efficiency Label (EEL)	A+

Controls and Dimming

Dimmable	No
----------	----

Operating and Electrical

Input Frequency	50 to 60 Hz
Voltage (Nom)	220-240 V
Power (Rated) (Nom)	5 W
Starting Time (Nom)	0.5 s

General Information

Cap-Base	G23
Nominal Lifetime (Nom)	30000 h
Switching Cycle	50000X

Light Technical

Beam Angle (Nom)	120 °
Color Rendering Index (Nom)	82
LLmf At End Of Nominal Lifetime (Nom)	70 %

Temperature

T-Ambient (Max)	45 °C
T-Ambient (Min)	-20 °C
T-Case Maximum (Nom)	83 °C
T-Storage (Max)	65 °C
T-Storage (Min)	-40 °C

Light Technical

Order Code	Full Product Name	Color Code	Correlated Color	Luminous Flux
			Temperature (Nom)	(Nom)
929001926302	CorePro LED PLS 5W 830 2P G23	830	3000 K	520 lm
929001926402	CorePro LED PLS 5W 840 2P G23	840	4000 K	550 lm

CorePro LED PLS

