



# The affordable LED solution

## Essential LEDspot PAR

Essential LED PAR is an affordable LED spot lamp that is designed as a retrofit replacement for halogen spot PAR lamps. It provides a natural lighting effect as well as instant energy savings – an environmentally friendly solution. The Philips Essential LED family is designed for spot and general lighting applications in the hospitality and retail segments.

### Benefits

- Reduced operational cost thanks to energy savings of up to 80%
- Lower maintenance cost thanks to a more than five times longer lifetime than conventional halogen spot lamps
- Easy retrofit, upgrading the existing luminaire to LED technology
- Low initial investment

### Features

- Lower energy consumption compared to halogen spot PAR lamps
- Retrofit replacement of halogen spot lamps with existing transformers
- Lifetime up to 15 000 hours
- Non-dimmable

### Application

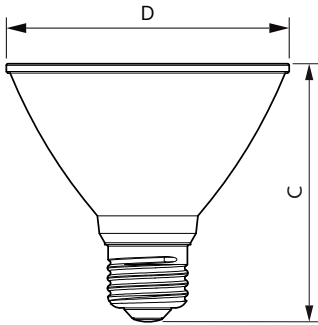
- Hospitality (restaurants, hotels, coffee bars)
- Retail

# Essential LEDspot PAR

## Versions



## Dimensional drawing



Product	D	C
Essential LED 12-100W PAR30s 865 25D KR	86 mm	93 mm
Essential LED 12-100W PAR30s 827 25D KR	86 mm	93 mm
Essential LED 12-100W PAR30s 840 25D KR	86 mm	93 mm

# Essential LEDspot PAR

## Approval and Application

Energy Consumption kWh/1000 h	12 kWh
Energy Efficiency Label (EEL)	A+

## Controls and Dimming

Dimmable	No
----------	----

## Operating and Electrical

Input Frequency	50 to 60 Hz
Voltage (Nom)	220 V
Wattage Equivalent	100 W
Power (Rated) (Nom)	12 W
Starting Time (Nom)	0.8 s

## General Information

Cap-Base	E26
Nominal Lifetime (Nom)	15000 h
Switching Cycle	50,000X

## Light Technical

Beam Angle (Nom)	25 °
Colour Rendering Index (Nom)	80
Llmf At End Of Nominal Lifetime (Nom)	70 %
Luminous Flux (Nom)	1100 lm
Luminous Intensity (Nom)	2700 cd

## Mechanical and Housing

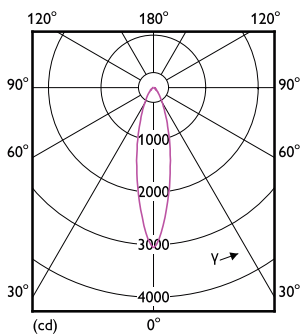
Bulb Shape	PAR30S
------------	--------

## Temperature

T-Case Maximum (Nom)	90 °C
----------------------	-------

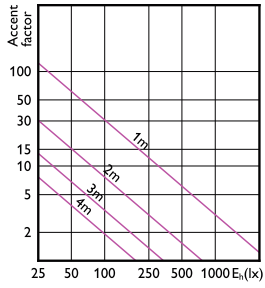
## Light Technical

Order Code	Full Product Name	Correlated Colour Temperature	
		Colour Code (Nom)	
929001944408	Essential LED 12-100W PAR30s 827 25D KR	827	2700 K
929001944508	Essential LED 12-100W PAR30s 840 25D KR	840	4000 K
929001944608	Essential LED 12-100W PAR30s 865 25D KR	865	6500 K



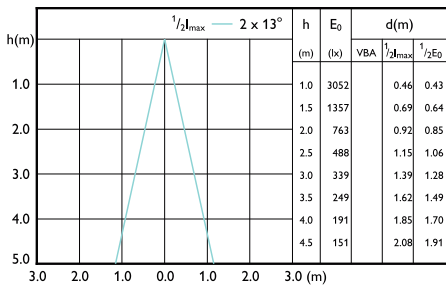
# Essential LEDspot PAR

## Accent Diagrams



12-100W E26 PAR30S 25D 827 2700K

## Beam Diagrams



12-100W E26 PAR30S 25D 827 2700K

