



# 超薄且高效的平板灯

## GreenPerform Panel

GreenPerform Panel 是一款超薄且高效的平板灯。可提供两种流明选项、四种尺寸类型 ( 200X1200、300X1200、600x600 和 600x1200 ) 和三种安装方法 ( 嵌入式、悬挂式和石膏天花板 )。

### 优点

- 节能
- 轻松调节和安装
- 适合大部分天花板类型，适配尺寸 200X1200、300X1200、600X600 和 600X1200
- 良好光质
- 可靠性能
- 易于维护和安装
- 满足办公室照明，舒适的视觉体验

### 特点

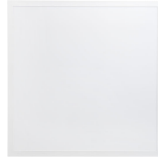
- 厚度低至 8.3 毫米
- 多种安装方法 ( T 形龙骨、石膏天花板、集成吊顶和悬挂安装 )。
- 显色指数 > 80，SDCM<4，无闪烁
- 使用寿命 50,000 小时 (L80)
- 插入式可更换驱动器
- 提供 UGR16、UGR19 版本

### 应用

- 开放式办公室
- 会议室
- 医院
- 餐厅

# GreenPerform Panel

## Versions

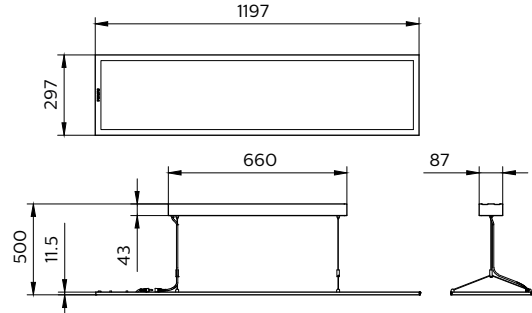
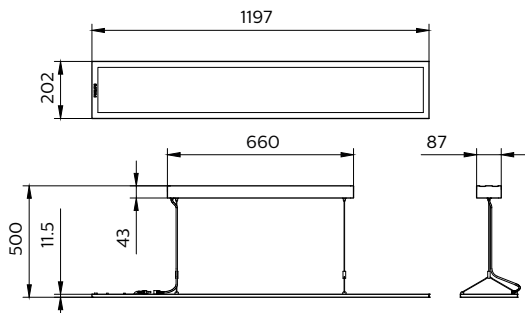
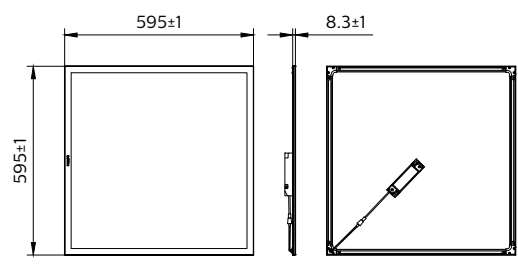
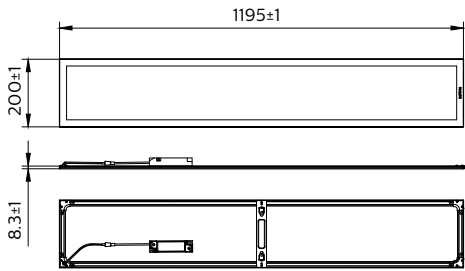
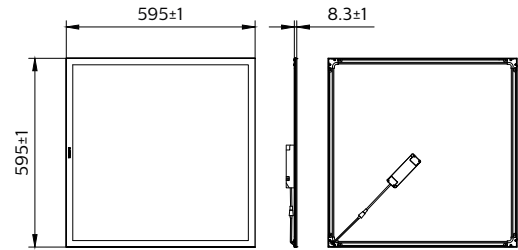
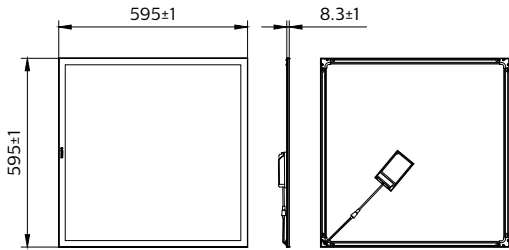


30 120+logo fa

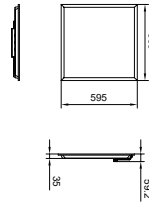
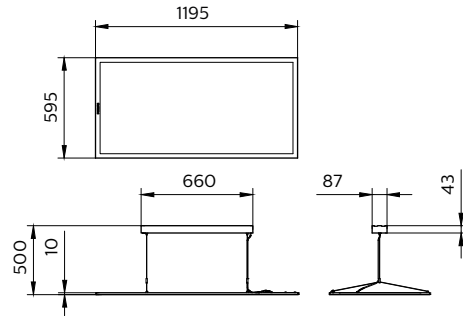
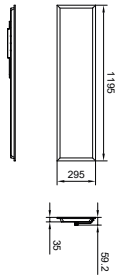
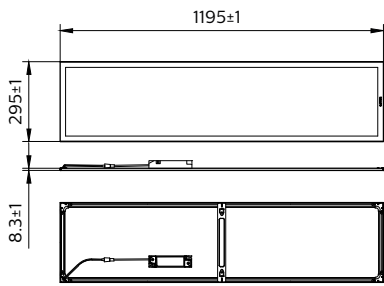
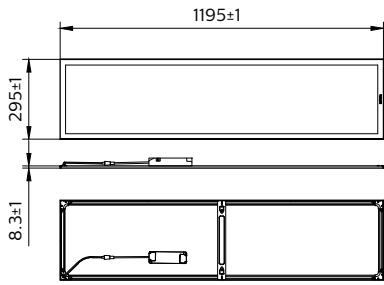
20 120+logo fa

RC099 g2 600600 front

## 二维绘图



## 二维绘图



一般信息	
CE 标志	CE 标志
ENEC 标志	-
可燃性标志	-
灯技术	
光罩类型	聚苯乙烯反光碗/棱柱盖
显色指数 (CRI)	>80
操作和电气	
线频率	50 to 60 Hz
审批和申请	
保护等级 IEC	安全等级 II
IP 等级	IP20

## 一般信息

Order Code	Full Product Name	包含的		可更换	
		驱动器	灼热丝测试	光源	设备组件数
911401719482	RC160V LED30S 840 W60L60 PSU	是	温度 650°C, 持续时间 30 秒	否	1 个单位
911401719492	RC160V LED30S 865 W60L60 PSU	是	温度 650°C, 持续时间 30 秒	否	1 个单位
911401719502	RC160V LED40S 840 W60L60 PSU	是	温度 650°C, 持续时间 30 秒	否	1 个单位
911401719512	RC160V LED40S 865 W60L60 PSU	是	温度 650°C, 持续时间 30 秒	否	1 个单位
911401719552	RC160V LED40S 840 W60L60 CPC	是	温度 650°C, 持续时间 30 秒	否	1 个单位
911401720802	RC160V LED40S 840 W60L60 PSD	是	温度 650°C, 持续时间 30 秒	否	1 个单位
911401720812	RC160V LED40S 865 W60L60 PSD	是	温度 650°C, 持续时间 30 秒	否	1 个单位
911401726842	RC160V LED29S 840 W60L60 PSU UGR16	是	温度 650°C, 持续时间 30 秒	否	1 个单位
911401522922	RC099X G2 LED38/840 W30L120 L1 W	-	-	-	-
911401523122	RC099X G2 LED38/865 W30L120 L1 W	-	-	-	-
911401523322	RC099X G2 LED36/840 W30L120 L1 W OC	-	-	-	-
911401523522	RC099X G2 LED36/865 W30L120 L1 W OC	-	-	-	-
911401726932	SP160P LED20S 840 W20L120 PSU	是	温度 650°C, 持续时间 30 秒	否	1 个单位
911401726942	SP160P LED40S 840 W30L120 PSU	是	温度 650°C, 持续时间 30 秒	否	1 个单位
911401726952	SP160P LED60S 840 W60L120 PSU	是	温度 650°C, 持续时间 30 秒	否	1 个单位
911401719522	RC160V LED40S 840 W30L120 PSU	是	温度 650°C, 持续时间 30 秒	否	1 个单位
911401720782	RC160V LED40S 840 W30L120 PSU UVG	是	温度 650°C, 持续时间 30 秒	否	1 个单位
911401726852	RC160V LED29S 840 W30L120 PSU UGR16	是	温度 650°C, 持续时间 30 秒	否	1 个单位
911401719472	RC160V LED20S 840 W20L120 PSU	是	温度 650°C, 持续时间 30 秒	否	1 个单位
911401522822	RC099X G2 LED38/840 W60L60 L1 W	-	-	-	-
911401523222	RC099X G2 LED36/840 W60L60 L1 W OC	-	-	-	-
911401523422	RC099X G2 LED36/865 W60L60 L1 W OC	-	-	-	-

## 灯技术 (1/2)

Order Code	Full Product Name	光源光 束角度	光源光 相关色温(标称) 光效(额定)		
			称)	(标称)	光通量
911401719482	RC160V LED30S 840 W60L60 PSU	-°	4000 K	110 lm/W	3,000 lm
911401719492	RC160V LED30S 865 W60L60 PSU	-°	6500 K	110 lm/W	3,000 lm
911401719502	RC160V LED40S 840 W60L60 PSU	-°	4000 K	110 lm/W	4,000 lm
911401719512	RC160V LED40S 865 W60L60 PSU	-°	6500 K	110 lm/W	4,000 lm
911401719552	RC160V LED40S 840 W60L60 CPC	-°	4000 K	110 lm/W	4,000 lm
911401720802	RC160V LED40S 840 W60L60 PSD	-°	4000 K	110 lm/W	4,000 lm

Order Code	Full Product Name	光源光 束角度	光源光 相关色温(标称) 光效(额定)		
			称)	(标称)	光通量
911401720812	RC160V LED40S 865 W60L60 PSD	-°	6500 K	110 lm/W	4,000 lm
911401726842	RC160V LED29S 840 W60L60 PSU UGR16	-°	4000 K	105 lm/W	2,900 lm
911401522922	RC099X G2 LED38/840 W30L120 L1 W	-	4000 K	110 lm/W	3,800 lm
911401523122	RC099X G2 LED38/865 W30L120 L1 W	-	6500 K	110 lm/W	3,800 lm
911401523322	RC099X G2 LED36/840 W30L120 L1 W OC	-	4000 K	100 lm/W	3,600 lm
911401523522	RC099X G2 LED36/865 W30L120 L1 W OC	-	6500 K	100 lm/W	3,600 lm

# GreenPerform Panel

Order Code	Full Product Name	光源光 束角度	相关色温(标 称)	光效(额定) (标称)	光通量
911401726932	SP160P LED20S 840 W20L120 PSU	- °	4000 K	100 lm/W	2,000 lm
911401726942	SP160P LED40S 840 W30L120 PSU	- °	4000 K	110 lm/W	4,000 lm
911401726952	SP160P LED60S 840 W60L120 PSU	- °	4000 K	110 lm/W	6,000 lm
911401719522	RC160V LED40S 840 W30L120 PSU	- °	4000 K	110 lm/W	4,000 lm
911401720782	RC160V LED40S 840 W30L120 PSU UVG	- °	4000 K	110 lm/W	4,000 lm

Order Code	Full Product Name	光源光 束角度	相关色温(标 称)	光效(额定) (标称)	光通量
911401726852	RC160V LED29S 840 W30L120 PSU UGR16	- °	4000 K	105 lm/W	2,900 lm
911401719472	RC160V LED20S 840 W20L120 PSU	- °	4000 K	100 lm/W	2,000 lm
911401522822	RC099X G2 LED38/840 W60L60 L1 W	-	4000 K	110 lm/W	3,800 lm
911401523222	RC099X G2 LED36/840 W60L60 L1 W OC	-	4000 K	100 lm/W	3,600 lm
911401523422	RC099X G2 LED36/865 W60L60 L1 W OC	-	6500 K	100 lm/W	3,600 lm

## 灯技术 (2/2)

Order Code	Full Product Name	光学类型
911401719482	RC160V LED30S 840 W60L60 PSU	宽光束
911401719492	RC160V LED30S 865 W60L60 PSU	宽光束
911401719502	RC160V LED40S 840 W60L60 PSU	宽光束
911401719512	RC160V LED40S 865 W60L60 PSU	宽光束
911401719552	RC160V LED40S 840 W60L60 CPC	宽光束
911401720802	RC160V LED40S 840 W60L60 PSD	宽光束
911401720812	RC160V LED40S 865 W60L60 PSD	宽光束
911401726842	RC160V LED29S 840 W60L60 PSU UGR16	宽光束
911401522922	RC099X G2 LED38/840 W30L120 L1 W	-
911401523122	RC099X G2 LED38/865 W30L120 L1 W	-
911401523322	RC099X G2 LED36/840 W30L120 L1 W OC	-

Order Code	Full Product Name	光学类型
911401523522	RC099X G2 LED36/865 W30L120 L1 W OC	-
911401726932	SP160P LED20S 840 W20L120 PSU	宽光束
911401726942	SP160P LED40S 840 W30L120 PSU	宽光束
911401726952	SP160P LED60S 840 W60L120 PSU	宽光束
911401719522	RC160V LED40S 840 W30L120 PSU	宽光束
911401720782	RC160V LED40S 840 W30L120 PSU UVG	宽光束
911401726852	RC160V LED29S 840 W30L120 PSU UGR16	宽光束
911401719472	RC160V LED20S 840 W20L120 PSU	宽光束
911401522822	RC099X G2 LED38/840 W60L60 L1 W	-
911401523222	RC099X G2 LED36/840 W60L60 L1 W OC	-
911401523422	RC099X G2 LED36/865 W60L60 L1 W OC	-

## 操作和电气

Order Code	Full Product Name	输入电压	功耗
911401719482	RC160V LED30S 840 W60L60 PSU	220 至 240 V	28 W
911401719492	RC160V LED30S 865 W60L60 PSU	220 至 240 V	28 W
911401719502	RC160V LED40S 840 W60L60 PSU	220 至 240 V	36 W
911401719512	RC160V LED40S 865 W60L60 PSU	220 至 240 V	36 W
911401719552	RC160V LED40S 840 W60L60 CPC	220 至 240 V	36 W
911401720802	RC160V LED40S 840 W60L60 PSD	220 至 240 V	36 W
911401720812	RC160V LED40S 865 W60L60 PSD	220 至 240 V	36 W
911401726842	RC160V LED29S 840 W60L60 PSU UGR16	220 至 240 V	28 W
911401522922	RC099X G2 LED38/840 W30L120 L1 W	220 至 240 V	35 W
911401523122	RC099X G2 LED38/865 W30L120 L1 W	220 至 240 V	35 W
911401523322	RC099X G2 LED36/840 W30L120 L1 W OC	220 至 240 V	35 W

Order Code	Full Product Name	输入电压	功耗
911401523522	RC099X G2 LED36/865 W30L120 L1 W OC	220 至 240 V	35 W
911401726932	SP160P LED20S 840 W20L120 PSU	220 至 240 V	20 W
911401726942	SP160P LED40S 840 W30L120 PSU	220 至 240 V	36 W
911401726952	SP160P LED60S 840 W60L120 PSU	220 至 240 V	55 W
911401719522	RC160V LED40S 840 W30L120 PSU	220 至 240 V	36 W
911401720782	RC160V LED40S 840 W30L120 PSU UVG	110 至 277 V	36 W
911401726852	RC160V LED29S 840 W30L120 PSU UGR16	220 至 240 V	28 W
911401719472	RC160V LED20S 840 W20L120 PSU	220 至 240 V	20 W
911401522822	RC099X G2 LED38/840 W60L60 L1 W	220 至 240 V	35 W
911401523222	RC099X G2 LED36/840 W60L60 L1 W OC	220 至 240 V	35 W
911401523422	RC099X G2 LED36/865 W60L60 L1 W OC	220 至 240 V	35 W

## 温度

Order Code	Full Product Name	环境温度范围
911401719482	RC160V LED30S 840 W60L60 PSU	-20 至 +45°C
911401719492	RC160V LED30S 865 W60L60 PSU	-20 至 +45°C
911401719502	RC160V LED40S 840 W60L60 PSU	-20 至 +45°C
911401719512	RC160V LED40S 865 W60L60 PSU	-20 至 +45°C
911401719552	RC160V LED40S 840 W60L60 CPC	-20 至 +45°C
911401720802	RC160V LED40S 840 W60L60 PSD	-20 至 +45°C

Order Code	Full Product Name	环境温度范围
911401720812	RC160V LED40S 865 W60L60 PSD	-20 至 +45°C
911401726842	RC160V LED29S 840 W60L60 PSU UGR16	-20 至 +45°C
911401522922	RC099X G2 LED38/840 W30L120 L1 W	-20 至 +40°C
911401523122	RC099X G2 LED38/865 W30L120 L1 W	-20 至 +40°C
911401523322	RC099X G2 LED36/840 W30L120 L1 W OC	-20 至 +40°C
911401523522	RC099X G2 LED36/865 W30L120 L1 W OC	-20 至 +40°C

# GreenPerform Panel

Order Code	Full Product Name	环境温度范围
911401726932	SP160P LED20S 840 W20L120 PSU	-20 至 +45°C
911401726942	SP160P LED40S 840 W30L120 PSU	-20 至 +45°C
911401726952	SP160P LED60S 840 W60L120 PSU	-20 至 +45°C
911401719522	RC160V LED40S 840 W30L120 PSU	-20 至 +45°C
911401720782	RC160V LED40S 840 W30L120 PSU UVG	-20 至 +45°C

Order Code	Full Product Name	环境温度范围
911401726852	RC160V LED29S 840 W30L120 PSU UGR16	-20 至 +45°C
911401719472	RC160V LED20S 840 W20L120 PSU	-20 至 +45°C
911401522822	RC099X G2 LED38/840 W60L60 L1 W	-20 至 +40°C
911401523222	RC099X G2 LED36/840 W60L60 L1 W OC	-20 至 +40°C
911401523422	RC099X G2 LED36/865 W60L60 L1 W OC	-20 至 +40°C

## 控制和调光

Order Code	Full Product Name	可调光
911401719482	RC160V LED30S 840 W60L60 PSU	否
911401719492	RC160V LED30S 865 W60L60 PSU	否
911401719502	RC160V LED40S 840 W60L60 PSU	否
911401719512	RC160V LED40S 865 W60L60 PSU	否
911401719552	RC160V LED40S 840 W60L60 CPC	否
911401720802	RC160V LED40S 840 W60L60 PSD	是
911401720812	RC160V LED40S 865 W60L60 PSD	是
911401726842	RC160V LED29S 840 W60L60 PSU UGR16	否
911401522922	RC099X G2 LED38/840 W30L120 L1 W	否
911401523122	RC099X G2 LED38/865 W30L120 L1 W	否
911401523322	RC099X G2 LED36/840 W30L120 L1 W OC	否

Order Code	Full Product Name	可调光
911401523522	RC099X G2 LED36/865 W30L120 L1 W OC	否
911401726932	SP160P LED20S 840 W20L120 PSU	否
911401726942	SP160P LED40S 840 W30L120 PSU	否
911401726952	SP160P LED60S 840 W60L120 PSU	否
911401719522	RC160V LED40S 840 W30L120 PSU	否
911401720782	RC160V LED40S 840 W30L120 PSU UVG	否
911401726852	RC160V LED29S 840 W30L120 PSU UGR16	否
911401719472	RC160V LED20S 840 W20L120 PSU	否
911401522822	RC099X G2 LED38/840 W60L60 L1 W	否
911401523222	RC099X G2 LED36/840 W60L60 L1 W OC	否
911401523422	RC099X G2 LED36/865 W60L60 L1 W OC	否

## 机械和外壳

Order Code	Full Product Name	外壳颜色
911401719482	RC160V LED30S 840 W60L60 PSU	白色
911401719492	RC160V LED30S 865 W60L60 PSU	白色
911401719502	RC160V LED40S 840 W60L60 PSU	白色
911401719512	RC160V LED40S 865 W60L60 PSU	白色
911401719552	RC160V LED40S 840 W60L60 CPC	白色
911401720802	RC160V LED40S 840 W60L60 PSD	白色
911401720812	RC160V LED40S 865 W60L60 PSD	白色
911401726842	RC160V LED29S 840 W60L60 PSU UGR16	白色
911401522922	RC099X G2 LED38/840 W30L120 L1 W	白色 RAL 9003
911401523122	RC099X G2 LED38/865 W30L120 L1 W	白色 RAL 9003
911401523322	RC099X G2 LED36/840 W30L120 L1 W OC	白色 RAL 9003

Order Code	Full Product Name	外壳颜色
911401523522	RC099X G2 LED36/865 W30L120 L1 W OC	白色 RAL 9003
911401726932	SP160P LED20S 840 W20L120 PSU	白色
911401726942	SP160P LED40S 840 W30L120 PSU	白色
911401726952	SP160P LED60S 840 W60L120 PSU	白色
911401719522	RC160V LED40S 840 W30L120 PSU	白色
911401720782	RC160V LED40S 840 W30L120 PSU UVG	白色
911401726852	RC160V LED29S 840 W30L120 PSU UGR16	白色
911401719472	RC160V LED20S 840 W20L120 PSU	白色
911401522822	RC099X G2 LED38/840 W60L60 L1 W	白色 RAL 9003
911401523222	RC099X G2 LED36/840 W60L60 L1 W OC	白色 RAL 9003
911401523422	RC099X G2 LED36/865 W60L60 L1 W OC	白色 RAL 9003

## 审批和申请

Order Code	Full Product Name	机械冲击保护代码
911401719482	RC160V LED30S 840 W60L60 PSU	IK03
911401719492	RC160V LED30S 865 W60L60 PSU	IK03
911401719502	RC160V LED40S 840 W60L60 PSU	IK03
911401719512	RC160V LED40S 865 W60L60 PSU	IK03
911401719552	RC160V LED40S 840 W60L60 CPC	IK03
911401720802	RC160V LED40S 840 W60L60 PSD	IK03
911401720812	RC160V LED40S 865 W60L60 PSD	IK03
911401726842	RC160V LED29S 840 W60L60 PSU UGR16	IK03
911401522922	RC099X G2 LED38/840 W30L120 L1 W	-
911401523122	RC099X G2 LED38/865 W30L120 L1 W	-
911401523322	RC099X G2 LED36/840 W30L120 L1 W OC	-

Order Code	Full Product Name	机械冲击保护代码
911401523522	RC099X G2 LED36/865 W30L120 L1 W OC	-
911401726932	SP160P LED20S 840 W20L120 PSU	IK03
911401726942	SP160P LED40S 840 W30L120 PSU	IK03
911401726952	SP160P LED60S 840 W60L120 PSU	IK03
911401719522	RC160V LED40S 840 W30L120 PSU	IK03
911401720782	RC160V LED40S 840 W30L120 PSU UVG	IK03
911401726852	RC160V LED29S 840 W30L120 PSU UGR16	IK03
911401719472	RC160V LED20S 840 W20L120 PSU	IK03
911401522822	RC099X G2 LED38/840 W60L60 L1 W	-
911401523222	RC099X G2 LED36/840 W60L60 L1 W OC	-
911401523422	RC099X G2 LED36/865 W60L60 L1 W OC	-

## 初始性能 (符合 IEC 标准)

## GreenPerform Panel

Order Code	Full Product Name	初始色度	光通量误差
911401719482	RC160V LED30S 840 W60L60 PSU	(0.43, 0.40) SDCM<4	+/-5%
911401719492	RC160V LED30S 865 W60L60 PSU	(0.43, 0.40) SDCM<4	+/-5%
911401719502	RC160V LED40S 840 W60L60 PSU	(0.43, 0.40) SDCM<4	+/-5%
911401719512	RC160V LED40S 865 W60L60 PSU	(0.43, 0.40) SDCM<4	+/-5%
911401719552	RC160V LED40S 840 W60L60 CPC	(0.43, 0.40) SDCM<4	+/-5%
911401720802	RC160V LED40S 840 W60L60 PSD	(0.43, 0.40) SDCM<4	+/-5%
911401720812	RC160V LED40S 865 W60L60 PSD	(0.43, 0.40) SDCM<4	+/-5%
911401726842	RC160V LED29S 840 W60L60 PSU UGR16	(0.43, 0.40) SDCM<4	+/-5%
911401522922	RC099X G2 LED38/840 W30L120 L1 W	-	+/-10%
911401523122	RC099X G2 LED38/865 W30L120 L1 W	-	+/-10%
911401523322	RC099X G2 LED36/840 W30L120 L1 W OC	-	+/-10%

Order Code	Full Product Name	初始色度	光通量误差
911401523522	RC099X G2 LED36/865 W30L120 L1 W OC	-	+/-10%
911401726932	SP160P LED20S 840 W20L120 PSU	(0.43, 0.40) SDCM<4	+/-5%
911401726942	SP160P LED40S 840 W30L120 PSU	(0.43, 0.40) SDCM<4	+/-5%
911401726952	SP160P LED60S 840 W60L120 PSU	(0.43, 0.40) SDCM<4	+/-5%
911401719522	RC160V LED40S 840 W30L120 PSU	(0.43, 0.40) SDCM<4	+/-5%
911401720782	RC160V LED40S 840 W30L120 PSU UVG	(0.43, 0.40) SDCM<4	+/-5%
911401726852	RC160V LED29S 840 W30L120 PSU UGR16	(0.43, 0.40) SDCM<4	+/-5%
911401719472	RC160V LED20S 840 W20L120 PSU	(0.43, 0.40) SDCM<4	+/-5%
911401522822	RC099X G2 LED38/840 W60L60 L1 W	-	+/-10%
911401523222	RC099X G2 LED36/840 W60L60 L1 W OC	-	+/-10%
911401523422	RC099X G2 LED36/865 W60L60 L1 W OC	-	+/-10%

### 申请条件

Order Code	Full Product Name	最高暗淡级别
911401719482	RC160V LED30S 840 W60L60 PSU	不适用
911401719492	RC160V LED30S 865 W60L60 PSU	不适用
911401719502	RC160V LED40S 840 W60L60 PSU	不适用
911401719512	RC160V LED40S 865 W60L60 PSU	不适用
911401719552	RC160V LED40S 840 W60L60 CPC	不适用
911401720802	RC160V LED40S 840 W60L60 PSD	可编程版
911401720812	RC160V LED40S 865 W60L60 PSD	可编程版
911401726842	RC160V LED29S 840 W60L60 PSU UGR16	不适用
911401522922	RC099X G2 LED38/840 W30L120 L1 W	-
911401523122	RC099X G2 LED38/865 W30L120 L1 W	-
911401523322	RC099X G2 LED36/840 W30L120 L1 W OC	-

Order Code	Full Product Name	最高暗淡级别
911401523522	RC099X G2 LED36/865 W30L120 L1 W OC	-
911401726932	SP160P LED20S 840 W20L120 PSU	不适用
911401726942	SP160P LED40S 840 W30L120 PSU	不适用
911401726952	SP160P LED60S 840 W60L120 PSU	不适用
911401719522	RC160V LED40S 840 W30L120 PSU	不适用
911401720782	RC160V LED40S 840 W30L120 PSU UVG	不适用
911401726852	RC160V LED29S 840 W30L120 PSU UGR16	不适用
911401719472	RC160V LED20S 840 W20L120 PSU	不适用
911401522822	RC099X G2 LED38/840 W60L60 L1 W	-
911401523222	RC099X G2 LED36/840 W60L60 L1 W OC	-
911401523422	RC099X G2 LED36/865 W60L60 L1 W OC	-

