



The professional Circular LED solution

CorePro LEDtube circular

CorePro LEDtube Circular integrates a LED light source into a traditional fluorescent tube form factor. This product is specially designed to replace fluorescent circular tubes working on a G10q fitting. It offers significant energy savings and a long lifetime, in a similar form factor.

Benefits

- Simple, fast, plug & play retrofit solution
- Significant energy saving
- Long lifetime

Features

- Highly energy-efficient
- Long lifetime
- Easy installation
- Conventional form factor to fit into existing luminaires

Application

- Home application
- Corridors & stairways
- Parking

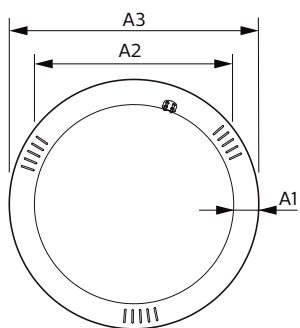
CorePro LEDtube circular

Versions



G10q -

Dimensional drawing



Product	A1	A2	A3
CorePro LED Circular 20W 840 G10q	30 mm	238 mm	298 mm
CorePro LED Circular 20W 865 G10q	30 mm	238 mm	298 mm

CorePro LEDtube circular

Approval and Application

Energy Consumption kWh/1000 h	20 kWh
Energy Efficiency Label (EEL)	A+

Controls and Dimming

Dimmable	No
----------	----

Operating and Electrical

Input Frequency	50 to 60 Hz
Voltage (Nom)	220-240 V
Power (Rated) (Nom)	20 W
Starting Time (Nom)	0.5 s

General Information

Cap-Base	G10Q
Nominal Lifetime (Nom)	30000 h
Switching Cycle	50000X

Light Technical

Beam Angle (Nom)	120 °
Color Rendering Index (Nom)	80
Llmf At End Of Nominal Lifetime (Nom)	70 %
Luminous Flux (Nom)	2100 lm

Mechanical and Housing

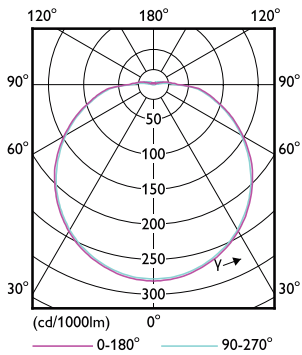
Bulb Shape	-
------------	---

Temperature

T-Case Maximum (Nom)	60 °C
----------------------	-------

Light Technical

Order Code	Full Product Name	Color Code	Correlated Color Temperature (Nom)
929002068002	CorePro LED Circular 20W 840 G10q	840	4000 K
929002068102	CorePro LED Circular 20W 865 G10q	865	6500 K



CorePro LEDtube circular

