



Attractive, dimmable, and affordable LED BR30 lamp solution

LED BR30

Philips BR30 LED lamps are the smart alternative to standard incandescent. The traditional lamp design can provide excellent dimming performance with spectacular energy savings. They provide the beautiful light and dependable performance you expect from LED at an economical price.

Benefits

- Long life -- lowers maintenance costs by reducing re-lamp frequency
- Excellent color consistency with available high 90+ color rendering (CRI)
- Certain offerings feature a warm glow effect that provides an incandescent-like glow, while maintaining CRI throughout dimming range

Features

- Available smooth dimming options
- Traditional look and feel of size, shape, and material
- Up to 25,000-hour rated average life
- Instant on
- ENERGY STAR certified options

Application

- Hotels/Motels
- Restaurants
- Offices

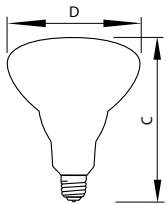
LED BR30

Versions



E26 BR30 Frosted

Dimensional drawing



Product	D	C
7.2BR30/PER/950/P/E26/DIM 6/1FB T20	95 mm	132 mm
7.2BR30/PER/927/P/E26/DIM 6/1FB T20	95 mm	132 mm
7.2BR30/PER/940/P/E26/DIM 6/1FB T20	95 mm	132 mm
7.2BR30/PER/922-27/P/E26/WG 6/1FB	95 mm	132 mm
7.2BR30/PER/930/P/E26/DIM 6/1FB T20	95 mm	132 mm

Product	D	C
BC9.5BR30/AMB/927/DIM 120V	96 mm	132 mm

LED BR30

Controls and Dimming

Dimmable	Yes
----------	-----

Operating and Electrical

Input Frequency	60 Hz
Voltage (Nom)	120 V
Wattage Equivalent	65 W
Starting Time (Nom)	0.5 s

General Information

Cap-Base	E26
Switching Cycle	50000X

Light Technical

Color Rendering Index (Nom)	90
Llmf At End Of Nominal Lifetime (Nom)	70 %
Luminous Flux (Nom)	650 lm

Mechanical and Housing

Bulb Finish	Frosted
-------------	---------

Operating and Electrical

Order Code	Full Product Name	Power (Rated) (Nom)
465203	BC9.5BR30/AMB/927/DIM 120V TP 4/1	9.5 W
457044	7.2BR30/PER/922-27/P/E26/WG 6/1FB	7.2 W
545905	7.2BR30/PER/930/P/E26/DIM 6/1FB T20	7.2 W
545913	7.2BR30/PER/940/P/E26/DIM 6/1FB T20	7.2 W
553891	7.2BR30/PER/927/P/E26/DIM 6/1FB T20	7.2 W
548107	7.2BR30/PER/950/P/E26/DIM 6/1FB T20	7.2 W

General Information

Order Code	Full Product Name	Nominal Lifetime (Nom)
465203	BC9.5BR30/AMB/927/DIM 120V TP 4/1	25000 h
457044	7.2BR30/PER/922-27/P/E26/WG 6/1FB	15000 h
545905	7.2BR30/PER/930/P/E26/DIM 6/1FB T20	15000 h

Order Code	Full Product Name	Nominal Lifetime (Nom)
545913	7.2BR30/PER/940/P/E26/DIM 6/1FB T20	15000 h
553891	7.2BR30/PER/927/P/E26/DIM 6/1FB T20	15000 h
548107	7.2BR30/PER/950/P/E26/DIM 6/1FB T20	15000 h

Light Technical

Order Code	Full Product Name	Beam Angle (Nom)	Color Code	Correlated Color Temperature (Nom)
465203	BC9.5BR30/AMB/927/DIM 120V TP 4/1	110 °	927	2700 K
457044	7.2BR30/PER/922-27/P/E26/WG 6/1FB	90 °	922-927	2200-2700 K
545905	7.2BR30/PER/930/P/E26/DIM 6/1FB T20	90 °	930	3000 K

Order Code	Full Product Name	Beam Angle (Nom)	Color Code	Correlated Color Temperature (Nom)
545913	7.2BR30/PER/940/P/E26/DIM 6/1FB T20	90 °	940	4000 K
553891	7.2BR30/PER/927/P/E26/DIM 6/1FB T20	110 °	927	2700 K
548107	7.2BR30/PER/950/P/E26/DIM 6/1FB T20	110 °	950	5000 K

Mechanical and Housing

Order Code	Full Product Name	Bulb Shape
465203	BC9.5BR30/AMB/927/DIM 120V TP 4/1	BR30 (BR30)
457044	7.2BR30/PER/922-27/P/E26/WG 6/1FB	BR30 (BR30)
545905	7.2BR30/PER/930/P/E26/DIM 6/1FB T20	BR30

Order Code	Full Product Name	Bulb Shape
545913	7.2BR30/PER/940/P/E26/DIM 6/1FB T20	BR30
553891	7.2BR30/PER/927/P/E26/DIM 6/1FB T20	BR30 (BR30)
548107	7.2BR30/PER/950/P/E26/DIM 6/1FB T20	BR30 (BR30)

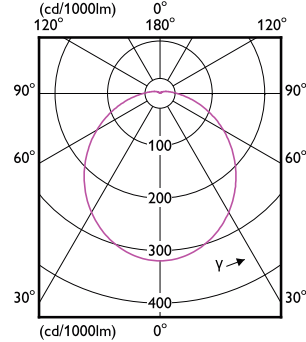
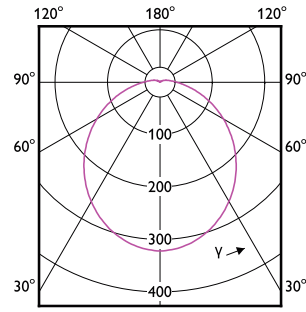
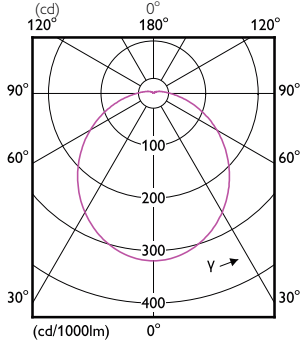
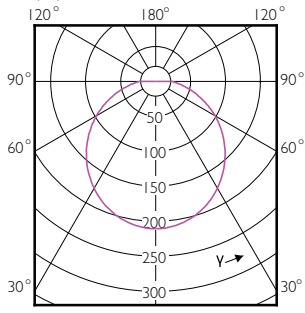
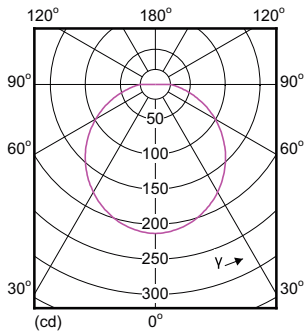
Temperature

Order Code	Full Product Name	T-Case Maximum (Nom)
465203	BC9.5BR30/AMB/927/DIM 120V TP 4/1	76 °C

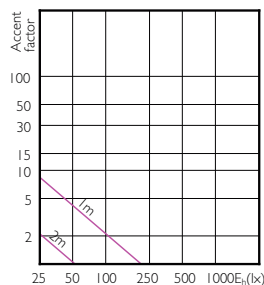
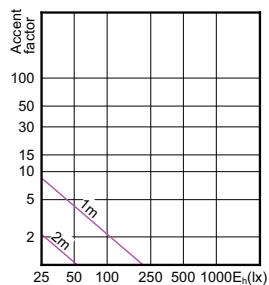
Order Code	Full Product Name	T-Case Maximum (Nom)
457044	7.2BR30/PER/922-27/P/E26/WG 6/1FB	75 °C

LED BR30

Order Code	Full Product Name	T-Case Maximum (Nom)
545905	7.2BR30/PER/930/P/E26/DIM 6/1FB T20	75 °C
545913	7.2BR30/PER/940/P/E26/DIM 6/1FB T20	75 °C
553891	7.2BR30/PER/927/P/E26/DIM 6/1FB T20	70 °C
548107	7.2BR30/PER/950/P/E26/DIM 6/1FB T20	70 °C



Accent Diagrams

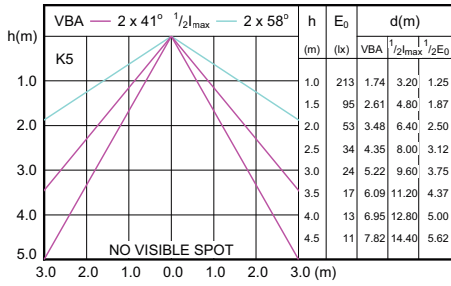


LEDbulb 9.5-65W E26 BR30 2700

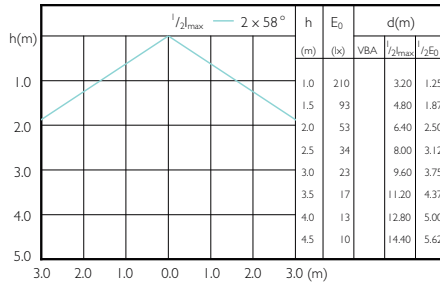
LEDBulbs BR30 120V 19-120W 1200lm 2700K
E26 D

LED BR30

Beam Diagrams



LEDbulb 9.5-65W E26 BR30 927



LEDBulbs BR30 120V 19-120W 1200lm 2700K E26 D

