



# Philips most advanced LED replacements for compact fluorescent PL-L lamps with 2G11 base

## PL-L

Philips InstantFit LED lamps make the transition to LED from CFL lamps as simple as replacing a lamp. With a wide array of color temperatures, the InstantFit LED lamps can quickly and effectively replace compact fluorescent lamps.

### Benefits

- Minimizes overall lighting costs
- Offers cheapest and easiest upgrade to LED lighting technology
- Excellent compatibility with existing fluorescent ballasts

### Features

- High energy efficiency, over 40% energy savings
- Long lifetime with superior color and lumen maintenance
- Easy plug-and-play installation. Retrofit replacement of existing CFL-ni lamps
- Conventional form factor fits into existing luminaires
- Durable polycarbonate construction

### Application

- Office and general lighting
- Residential and multi-family complexes
- Retail and hospitality

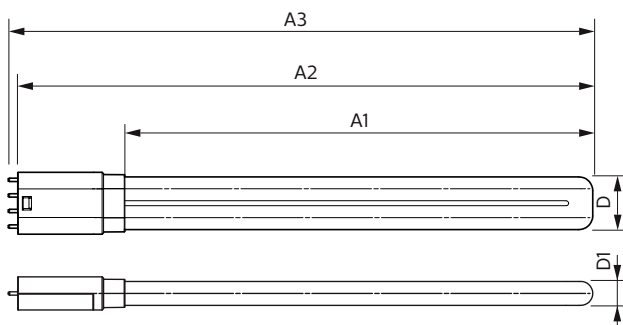
# PL-L

## Versions



16-5W 2G11

## Dimensional drawing



| Product                                | D       | D1    | A1     | A2     | A3       |
|----------------------------------------|---------|-------|--------|--------|----------|
| 16.5PL-L/COR/22-830/IF22/P/4P/DIM 10/1 | 40.6 mm | 20 mm | 501 mm | 564 mm | 570.6 mm |
| 16.5PL-L/COR/22-835/IF22/P/4P/DIM 10/1 | 40.6 mm | 20 mm | 501 mm | 564 mm | 570.6 mm |
| 16.5PL-L/COR/22-840/IF23/P/4P/DIM 10/1 | 40.6 mm | 20 mm | 501 mm | 564 mm | 570.6 mm |
| 17PL-L/COR/22-830/MF22/G/4P 10/1       | 567 mm  |       | 560 mm |        | 567 mm   |
| 17PL-L/COR/22-835/MF22/G/4P 10/1       | 567 mm  |       | 560 mm |        | 567 mm   |
| 17PL-L/COR/22-840/MF22/G/4P 10/1       | 567 mm  |       | 560 mm |        | 567 mm   |

### General Information

|                  |                |
|------------------|----------------|
| Cap-Base         | 2G11           |
| Switching Cycle  | 50,000         |
| Nominal lifetime | 50,000 hour(s) |

### Light Technical

|                                       |               |
|---------------------------------------|---------------|
| Beam Angle (Nom)                      | 160 degree(s) |
| Color rendering index (CRI)           | 82            |
| LLMF At End Of Nominal Lifetime (Nom) | 70 %          |

### Operating and Electrical

|                     |       |
|---------------------|-------|
| Starting Time (Nom) | 0.5 s |
| Wattage Equivalent  | 40 W  |

### Temperature

|                           |                 |
|---------------------------|-----------------|
| Ambient temperature range | -20 °C to 45 °C |
|---------------------------|-----------------|

### Mechanical and Housing

|             |         |
|-------------|---------|
| Bulb Finish | Frosted |
| Bulb Shape  | PL-L    |

### Light Technical

| Order Code   | Full Product Name                      | Correlated Color Temperature (Nom) | Color Code | Luminous Flux |
|--------------|----------------------------------------|------------------------------------|------------|---------------|
| 929001893504 | 16.5PL-L/COR/22-830/IF22/P/4P/DIM 10/1 | 3000 K                             | 830        | 2,200 lm      |
| 929001893604 | 16.5PL-L/COR/22-835/IF22/P/4P/DIM 10/1 | 3500 K                             | 835        | 2,200 lm      |
| 929001893704 | 16.5PL-L/COR/22-840/IF23/P/4P/DIM 10/1 | 4000 K                             | 840        | 2,300 lm      |
| 929003097504 | 17PL-L/COR/22-830/MF22/G/4P 10/1       | 3000 K                             | 830        | 2,100 lm      |
| 929003097604 | 17PL-L/COR/22-835/MF22/G/4P 10/1       | 3500 K                             | 835        | 2,100 lm      |
| 929003097704 | 17PL-L/COR/22-840/MF22/G/4P 10/1       | 4000 K                             | 840        | 2,200 lm      |

## Operating and Electrical

| Order Code   | Full Product                            |                 |                 | Power Consumption |
|--------------|-----------------------------------------|-----------------|-----------------|-------------------|
|              | Name                                    | Input Frequency | Line Frequency  |                   |
| 929001893504 | 16.5PL-L/COR/22-830/IF22/P/4P/DI M 10/1 | 40000-160000 Hz | 40000-160000 Hz | 16.5 W            |
| 929001893604 | 16.5PL-L/COR/22-835/IF22/P/4P/DI M 10/1 | 40000-160000 Hz | 40000-160000 Hz | 16.5 W            |
| 929001893704 | 16.5PL-L/COR/22-840/IF23/P/4P/DI M 10/1 | 40000-160000 Hz | 40000-160000 Hz | 16.5 W            |

| Order Code   | Full Product                     |                 |                | Power Consumption |
|--------------|----------------------------------|-----------------|----------------|-------------------|
|              | Name                             | Input Frequency | Line Frequency |                   |
| 929003097504 | 17PL-L/COR/22-830/MF22/G/4P 10/1 | 50 to 60 Hz     | 50 to 60 Hz    | 17 W              |
| 929003097604 | 17PL-L/COR/22-835/MF22/G/4P 10/1 | 50 to 60 Hz     | 50 to 60 Hz    | 17 W              |
| 929003097704 | 17PL-L/COR/22-840/MF22/G/4P 10/1 | 50 to 60 Hz     | 50 to 60 Hz    | 17 W              |

Temperature

| Order Code   | Full Product Name                      | T-Case Maximum (Nom) |
|--------------|----------------------------------------|----------------------|
| 929001893504 | 16.5PL-L/COR/22-830/IF22/P/4P/DIM 10/1 | 75 °C                |
| 929001893604 | 16.5PL-L/COR/22-835/IF22/P/4P/DIM 10/1 | 75 °C                |
| 929001893704 | 16.5PL-L/COR/22-840/IF23/P/4P/DIM 10/1 | 75 °C                |

| Order Code   | Full Product Name                | T-Case Maximum (Nom) |
|--------------|----------------------------------|----------------------|
| 929003097504 | 17PL-L/COR/22-830/MF22/G/4P 10/1 | 65 °C                |
| 929003097604 | 17PL-L/COR/22-835/MF22/G/4P 10/1 | 65 °C                |
| 929003097704 | 17PL-L/COR/22-840/MF22/G/4P 10/1 | 65 °C                |

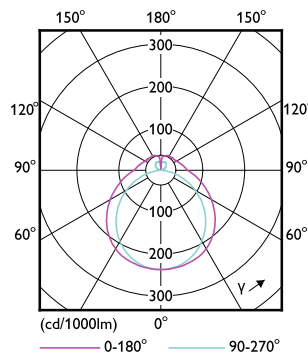
Controls and Dimming

| Order Code   | Full Product Name                      | Dimmable                   |
|--------------|----------------------------------------|----------------------------|
| 929001893504 | 16.5PL-L/COR/22-830/IF22/P/4P/DIM 10/1 | Only with specific dimmers |
| 929001893604 | 16.5PL-L/COR/22-835/IF22/P/4P/DIM 10/1 | Only with specific dimmers |
| 929001893704 | 16.5PL-L/COR/22-840/IF23/P/4P/DIM 10/1 | Only with specific dimmers |

| Order Code   | Full Product Name                | Dimmable |
|--------------|----------------------------------|----------|
| 929003097504 | 17PL-L/COR/22-830/MF22/G/4P 10/1 | Yes      |
| 929003097604 | 17PL-L/COR/22-835/MF22/G/4P 10/1 | Yes      |
| 929003097704 | 17PL-L/COR/22-840/MF22/G/4P 10/1 | Yes      |

Approval and Application

| Order Code   | Full Product Name                      | Energy Consumption kWh/1000 h |
|--------------|----------------------------------------|-------------------------------|
| 929001893504 | 16.5PL-L/COR/22-830/IF22/P/4P/DIM 10/1 | - kWh                         |
| 929001893604 | 16.5PL-L/COR/22-835/IF22/P/4P/DIM 10/1 | - kWh                         |
| 929001893704 | 16.5PL-L/COR/22-840/IF23/P/4P/DIM 10/1 | - kWh                         |
| 929003097504 | 17PL-L/COR/22-830/MF22/G/4P 10/1       | -                             |
| 929003097604 | 17PL-L/COR/22-835/MF22/G/4P 10/1       | -                             |
| 929003097704 | 17PL-L/COR/22-840/MF22/G/4P 10/1       | -                             |



# PL-L

