



# Instant retrofit, instant savings

## LED Highbay

Philips LED high bay lamps are a direct replacement for 250W to 400W metal halide lamps which will deliver substantial energy savings. Available in both plug-and-play (UL Type A) and MainsFit (UL Type B) options, Philips LED HighBays delivers bright, clean light for a fraction of the energy used by conventional HID.

### Benefits

- Energy savings of >50%
- Direct lamp replacement without a ballast or fixture change (UL Type A)
- Operates on 400W, 320W and 250W ballasts

### Features

- Standard EX39 base to replace metal halide lamps
- Works on probe and pulse start ballasts (Type A only)
- Available with 1000 lumens of "up-light" to fully illuminate fixtures (Type A only)
- Upto 5-year limited warranty
- Two beam options, wide or narrow available

### Application

- Warehouses, Industrial & Retail
- Gymnasiums

# LED Highbay

## Versions



EX39 Others



Single Contact Medium Screw T-shape Frosted



Single Contact Medium Screw T-shape Frosted

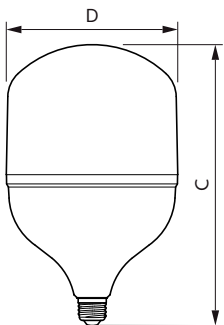


Single Contact Medium Screw T-shape Frosted



Exclusionary Mogul Screw T-shape Frosted

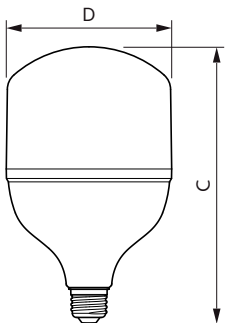
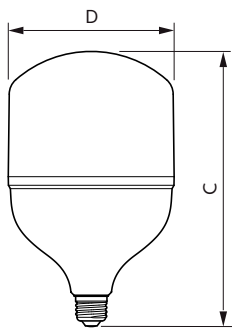
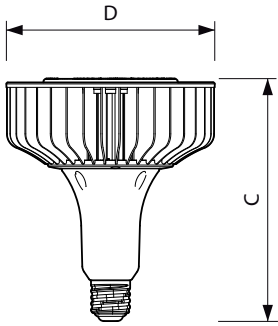
## Dimensional drawing



Product	D	C
45HB/LED/840/ND FB 6/1	160 mm	264 mm
45HB/LED/830/ND FB 6/1	160 mm	264 mm
45HB/LED/850/ND FB 6/1	160 mm	264 mm

# LED Highbay

## Dimensional drawing



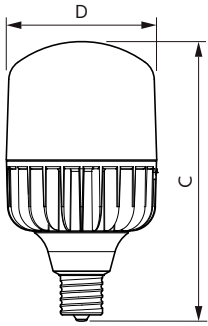
Product	D	C
165HB/LED/740/ND WB DL 2/1	209.7 mm	245.7 mm
150HB/LED/750/ND WB DL BB 2/1	211 mm	252 mm
150HB/LED/740/ND NB DL BB 2/1	211 mm	252 mm
150HB/LED/740/ND WB DL BB 2/1	211 mm	252 mm
150HB/LED/750/ND NB DL BB 2/1	211 mm	252 mm
125HB/LED/740/ND NB DL BB 2/1	211 mm	252 mm
100HB/LED/750/ND NB DL BB 2/1	211 mm	252 mm
125HB/LED/750/ND WB DL BB 2/1	211 mm	252 mm
100HB/LED/750/ND WB DL BB 2/1	211 mm	252 mm
100HB/LED/740/ND NB DL BB 2/1	211 mm	252 mm
125HB/LED/750/ND NB DL BB 2/1	211 mm	252 mm
125HB/LED/740/ND WB DL BB 2/1	211 mm	252 mm
100HB/LED/740/ND WB DL BB 2/1	211 mm	252 mm
165HB/LED/840/ND NB UDL 2/1	209.7 mm	245.7 mm
165HB/LED/840/ND WB UDL 2/1	209.7 mm	245.7 mm
165HB/LED/740/ND NB DL 2/1	209.7 mm	245.7 mm

Product	D	C
38HB/LED/840/ND FB 6/1	138 mm	238 mm
38HB/LED/850/ND FB 6/1	138 mm	238 mm
38HB/LED/830/ND FB 6/1	138 mm	238 mm

Product	D	C
25HB/LED/850/ND FB 6/1	118 mm	209 mm
25HB/LED/840/ND FB 6/1	118 mm	209 mm
25HB/LED/830/ND FB 6/1	118 mm	209 mm

# LED Highbay

## Dimensional drawing



Product	D	C
65HB/LED/840/ND FB 4/1	141 mm	267 mm
75HB/LED/840/ND FB 4/1	141 mm	267 mm
65HB/LED/850/ND FB 4/1	141 mm	267 mm
75HB/LED/850/ND FB 4/1	141 mm	267 mm

### Controls and Dimming

Dimmable	No
----------	----

### Operating and Electrical

Input Frequency	50 to 60 Hz
Starting Time (Nom)	0.5 s

### General Information

Switching Cycle	50000X
-----------------	--------

### Light Technical

LLmf At End Of Nominal Lifetime (Nom)	70 %
---------------------------------------	------

## Operating and Electrical

Order Code	Full Product Name	Voltage (Nom)	Wattage Equivalent	Power (Rated) (Nom)
465609	165HB/LED/740/ND NB DL 2/1	/ V	400 W	165 W
465625	165HB/LED/740/ND WB DL 2/1	/ V	400 W	165 W
465658	165HB/LED/840/ND NB UDL 2/1	/ V	400 W	165 W
465674	165HB/LED/840/ND WB UDL 2/1	/ V	400 W	165 W
477991	100HB/LED/740/ND NB DL BB 2/1	120-277 V	250 W	100 W
478008	100HB/LED/740/ND WB DL BB 2/1	120-277 V	250 W	100 W
478032	100HB/LED/750/ND NB DL BB 2/1	120-277 V	250 W	100 W
478040	100HB/LED/750/ND WB DL BB 2/1	120-277 V	250 W	100 W
478073	125HB/LED/740/ND NB DL BB 2/1	120-277 V	320 W	125 W

Order Code	Full Product Name	Voltage (Nom)	Wattage Equivalent	Power (Rated) (Nom)
478081	125HB/LED/740/ND WB DL BB 2/1	120-277 V	320 W	125 W
478115	125HB/LED/750/ND NB DL BB 2/1	120-277 V	320 W	125 W
478123	125HB/LED/750/ND WB DL BB 2/1	120-277 V	320 W	125 W
478156	150HB/LED/740/ND NB DL BB 2/1	120-277 V	400 W	150 W
478164	150HB/LED/740/ND WB DL BB 2/1	120-277 V	400 W	150 W
478198	150HB/LED/750/ND NB DL BB 2/1	120-277 V	400 W	150 W
478206	150HB/LED/750/ND WB DL BB 2/1	120-277 V	400 W	150 W
541912	25HB/LED/830/ND FB 6/1	120 V	70 W	25 W
541950	25HB/LED/850/ND FB 6/1	120 V	70 W	25 W
543066	25HB/LED/840/ND FB 6/1	120 V	70 W	25 W
541920	38HB/LED/830/ND FB 6/1	120 V	85 W	38 W
541960	38HB/LED/850/ND FB 6/1	120 V	85 W	38 W

## LED Highbay

Order Code	Full Product Name	Voltage (Nom)	Wattage Equivalent	Power (Rated) (Nom)
543074	38HB/LED/840/ND FB 6/1	120 V	85 W	38 W
541938	45HB/LED/830/ND FB 6/1	120 V	100 W	45 W
541978	45HB/LED/850/ND FB 6/1	120 V	100 W	45 W
543082	45HB/LED/840/ND FB 6/1	120 V	100 W	45 W

Order Code	Full Product Name	Voltage (Nom)	Wattage Equivalent	Power (Rated) (Nom)
542290	65HB/LED/850/ND FB 4/1	120-277 V	150 W	65 W
542316	75HB/LED/850/ND FB 4/1	120-277 V	175 W	75 W
542308	65HB/LED/840/ND FB 4/1	120-277 V	150 W	65 W
542324	75HB/LED/840/ND FB 4/1	120-277 V	175 W	75 W

### General Information

Order Code	Full Product Name	Cap-Base	Nominal Lifetime (Nom)
465609	165HB/LED/740/ND NB DL 2/1	EX39	50000 h
465625	165HB/LED/740/ND WB DL 2/1	EX39	50000 h
465658	165HB/LED/840/ND NB UDL 2/1	EX39	50000 h
465674	165HB/LED/840/ND WB UDL 2/1	EX39	50000 h
477991	100HB/LED/740/ND NB DL BB 2/1	EX39	50000 h
478008	100HB/LED/740/ND WB DL BB 2/1	EX39	50000 h
478032	100HB/LED/750/ND NB DL BB 2/1	EX39	50000 h
478040	100HB/LED/750/ND WB DL BB 2/1	EX39	50000 h
478073	125HB/LED/740/ND NB DL BB 2/1	EX39	50000 h
478081	125HB/LED/740/ND WB DL BB 2/1	EX39	50000 h
478115	125HB/LED/750/ND NB DL BB 2/1	EX39	50000 h
478123	125HB/LED/750/ND WB DL BB 2/1	EX39	50000 h
478156	150HB/LED/740/ND NB DL BB 2/1	EX39	50000 h
478164	150HB/LED/740/ND WB DL BB 2/1	EX39	50000 h
478198	150HB/LED/750/ND NB DL BB 2/1	EX39	50000 h

Order Code	Full Product Name	Cap-Base	Nominal Lifetime (Nom)
478206	150HB/LED/750/ND WB DL BB 2/1	EX39	50000 h
541912	25HB/LED/830/ND FB 6/1	E26	25000 h
541950	25HB/LED/850/ND FB 6/1	E26	25000 h
543066	25HB/LED/840/ND FB 6/1	E26	25000 h
541920	38HB/LED/830/ND FB 6/1	E26	25000 h
541960	38HB/LED/850/ND FB 6/1	E26	25000 h
543074	38HB/LED/840/ND FB 6/1	E26	25000 h
541938	45HB/LED/830/ND FB 6/1	E26	25000 h
541978	45HB/LED/850/ND FB 6/1	E26	25000 h
543082	45HB/LED/840/ND FB 6/1	E26	25000 h
542290	65HB/LED/850/ND FB 4/1	EX39	25000 h
542316	75HB/LED/850/ND FB 4/1	EX39	25000 h
542308	65HB/LED/840/ND FB 4/1	EX39	25000 h
542324	75HB/LED/840/ND FB 4/1	EX39	25000 h

### Light Technical

Order Code	Full Product Name	Beam Angle (Nom)	Color Code	Correlated Color Temperature (Nom)	Color Rendering Index (Nom)	Luminous Flux (Nom)
465609	165HB/LED/740/ND NB DL 2/1	60 °	740	4000 K	70	20000 lm
465625	165HB/LED/740/ND WB DL 2/1	120 °	740	4000 K	70	20000 lm
465658	165HB/LED/840/ND NB UDL 2/1	60 °	841	4000 K	80	19000 lm
465674	165HB/LED/840/ND WB UDL 2/1	120 °	841	4000 K	80	19000 lm
477991	100HB/LED/740/ND NB DL BB 2/1	70 °	740	4000 K	70	12000 lm
478008	100HB/LED/740/ND WB DL BB 2/1	130 °	740	4000 K	70	12000 lm
478032	100HB/LED/750/ND NB DL BB 2/1	70 °	750	5000 K	70	12000 lm
478040	100HB/LED/750/ND WB DL BB 2/1	130 °	750	5000 K	70	12000 lm
478073	125HB/LED/740/ND NB DL BB 2/1	70 °	740	4000 K	70	16000 lm
478081	125HB/LED/740/ND WB DL BB 2/1	130 °	740	4000 K	70	16000 lm
478115	125HB/LED/750/ND NB DL BB 2/1	70 °	750	5000 K	70	16000 lm
478123	125HB/LED/750/ND WB DL BB 2/1	130 °	750	5000 K	70	16000 lm
478156	150HB/LED/740/ND NB DL BB 2/1	70 °	740	4000 K	70	20000 lm
478164	150HB/LED/740/ND WB DL BB 2/1	130 °	740	4000 K	70	20000 lm
478198	150HB/LED/750/ND NB DL BB 2/1	70 °	750	5000 K	70	20000 lm
478206	150HB/LED/750/ND WB DL BB 2/1	130 °	750	5000 K	70	20000 lm
541912	25HB/LED/830/ND FB 6/1	200 °	830	3000 K	80	2650 lm
541950	25HB/LED/850/ND FB 6/1	200 °	850	5000 K	80	2800 lm
543066	25HB/LED/840/ND FB 6/1	200 °	841	4000 K	80	2800 lm
541920	38HB/LED/830/ND FB 6/1	200 °	830	3000 K	80	3500 lm
541960	38HB/LED/850/ND FB 6/1	200 °	850	5000 K	80	3800 lm
543074	38HB/LED/840/ND FB 6/1	200 °	841	4000 K	80	3800 lm

# LED Highbay

Order Code	Full Product Name	Beam Angle (Nom)	Color Code	Correlated Color Temperature (Nom)	Color Rendering Index (Nom)	Luminous Flux (Nom)
541938	45HB/LED/830/ND FB 6/1	200 °	830	3000 K	80	4500 lm
541978	45HB/LED/850/ND FB 6/1	200 °	850	5000 K	80	4800 lm
543082	45HB/LED/840/ND FB 6/1	200 °	841	4000 K	80	4800 lm
542290	65HB/LED/850/ND FB 4/1	240 °	850	5000 K	80	7000 lm
542316	75HB/LED/850/ND FB 4/1	240 °	850	5000 K	80	8500 lm
542308	65HB/LED/840/ND FB 4/1	240 °	841	4000 K	80	7000 lm
542324	75HB/LED/840/ND FB 4/1	240 °	841	4000 K	80	8500 lm

## Mechanical and Housing

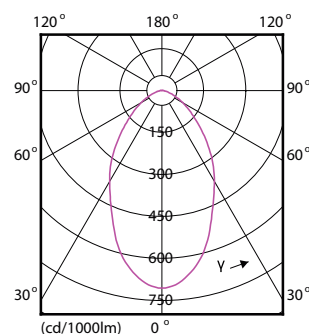
Order Code	Full Product Name	Bulb Finish	Bulb Shape
465609	165HB/LED/740/ND NB DL 2/1	-	Others
465625	165HB/LED/740/ND WB DL 2/1	-	Others
465658	165HB/LED/840/ND NB UDL 2/1	-	Others
465674	165HB/LED/840/ND WB UDL 2/1	-	Others
477991	100HB/LED/740/ND NB DL BB 2/1	-	Others
478008	100HB/LED/740/ND WB DL BB 2/1	-	Others
478032	100HB/LED/750/ND NB DL BB 2/1	-	Others
478040	100HB/LED/750/ND WB DL BB 2/1	-	Others
478073	125HB/LED/740/ND NB DL BB 2/1	-	Others
478081	125HB/LED/740/ND WB DL BB 2/1	-	Others
478115	125HB/LED/750/ND NB DL BB 2/1	-	Others
478123	125HB/LED/750/ND WB DL BB 2/1	-	Others
478156	150HB/LED/740/ND NB DL BB 2/1	-	Others
478164	150HB/LED/740/ND WB DL BB 2/1	-	Others
478198	150HB/LED/750/ND NB DL BB 2/1	-	Others

Order Code	Full Product Name	Bulb Finish	Bulb Shape
478206	150HB/LED/750/ND WB DL BB 2/1	-	Others
541912	25HB/LED/830/ND FB 6/1	Frosted	T-shape
541950	25HB/LED/850/ND FB 6/1	Frosted	T-shape
543066	25HB/LED/840/ND FB 6/1	Frosted	T-shape
541920	38HB/LED/830/ND FB 6/1	Frosted	T-shape
541960	38HB/LED/850/ND FB 6/1	Frosted	T-shape
543074	38HB/LED/840/ND FB 6/1	Frosted	T-shape
541938	45HB/LED/830/ND FB 6/1	Frosted	T-shape
541978	45HB/LED/850/ND FB 6/1	Frosted	T-shape
543082	45HB/LED/840/ND FB 6/1	Frosted	T-shape
542290	65HB/LED/850/ND FB 4/1	Frosted	T-shape
542316	75HB/LED/850/ND FB 4/1	Frosted	T-shape
542308	65HB/LED/840/ND FB 4/1	Frosted	T-shape
542324	75HB/LED/840/ND FB 4/1	Frosted	T-shape

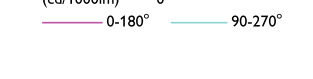
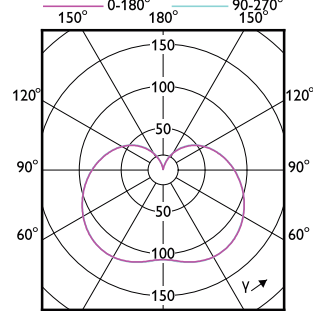
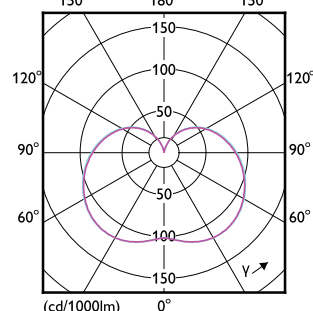
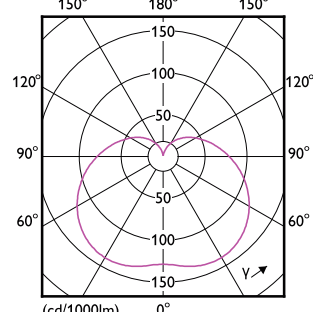
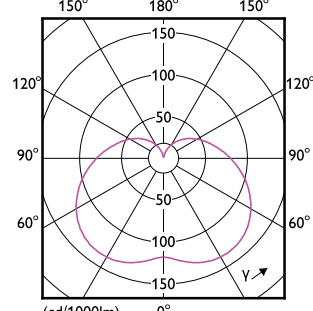
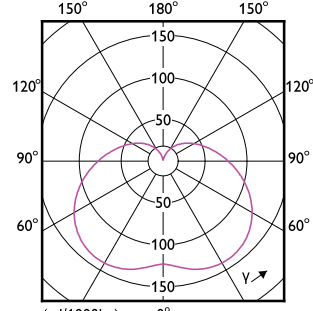
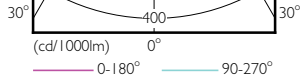
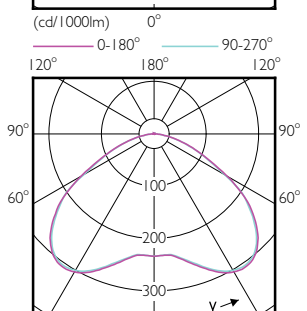
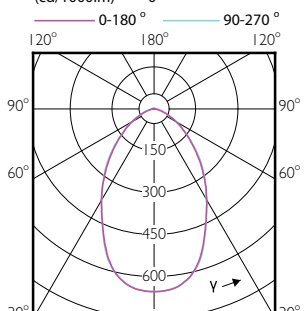
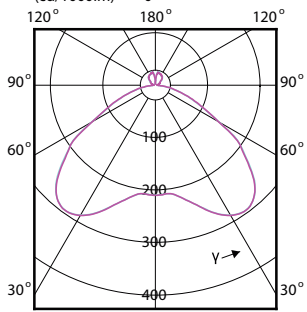
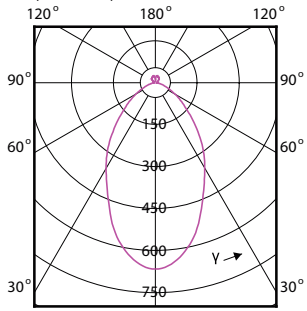
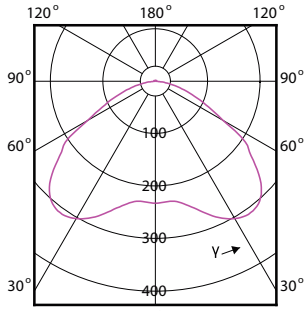
## Temperature

Order Code	Full Product Name	T-Case Maximum (Nom)
465609	165HB/LED/740/ND NB DL 2/1	85 °C
465625	165HB/LED/740/ND WB DL 2/1	85 °C
465658	165HB/LED/840/ND NB UDL 2/1	85 °C
465674	165HB/LED/840/ND WB UDL 2/1	85 °C
477991	100HB/LED/740/ND NB DL BB 2/1	70 °C
478008	100HB/LED/740/ND WB DL BB 2/1	70 °C
478032	100HB/LED/750/ND NB DL BB 2/1	70 °C
478040	100HB/LED/750/ND WB DL BB 2/1	70 °C
478073	125HB/LED/740/ND NB DL BB 2/1	75 °C
478081	125HB/LED/740/ND WB DL BB 2/1	75 °C
478115	125HB/LED/750/ND NB DL BB 2/1	75 °C
478123	125HB/LED/750/ND WB DL BB 2/1	75 °C
478156	150HB/LED/740/ND NB DL BB 2/1	80 °C
478164	150HB/LED/740/ND WB DL BB 2/1	80 °C
478198	150HB/LED/750/ND NB DL BB 2/1	80 °C
478206	150HB/LED/750/ND WB DL BB 2/1	80 °C
541912	25HB/LED/830/ND FB 6/1	90 °C
541950	25HB/LED/850/ND FB 6/1	90 °C
543066	25HB/LED/840/ND FB 6/1	90 °C
541920	38HB/LED/830/ND FB 6/1	90 °C
541960	38HB/LED/850/ND FB 6/1	90 °C

Order Code	Full Product Name	T-Case Maximum (Nom)
543074	38HB/LED/840/ND FB 6/1	90 °C
541938	45HB/LED/830/ND FB 6/1	90 °C
541978	45HB/LED/850/ND FB 6/1	90 °C
543082	45HB/LED/840/ND FB 6/1	90 °C
542290	65HB/LED/850/ND FB 4/1	98 °C
542316	75HB/LED/850/ND FB 4/1	98 °C
542308	65HB/LED/840/ND FB 4/1	98 °C
542324	75HB/LED/840/ND FB 4/1	98 °C



# LED Highbay



## LED Highbay

